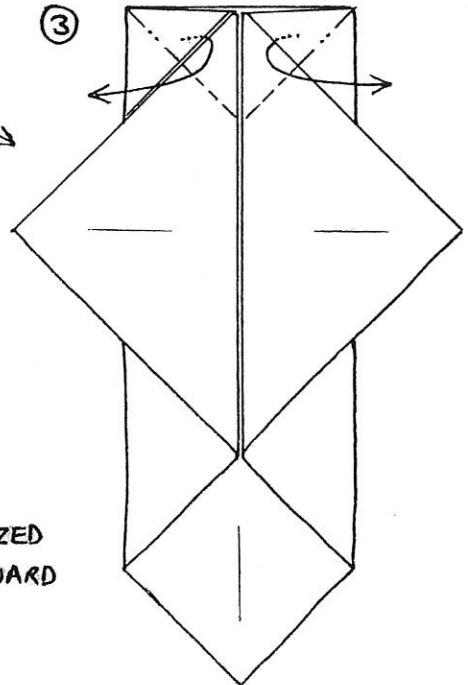
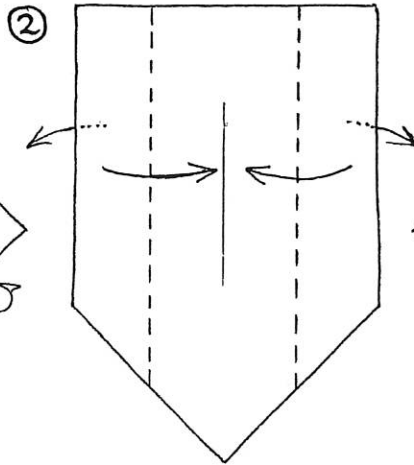
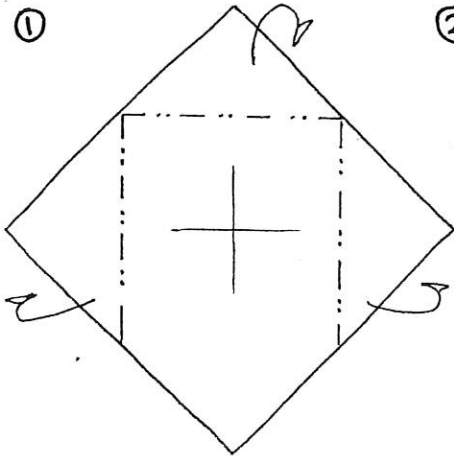
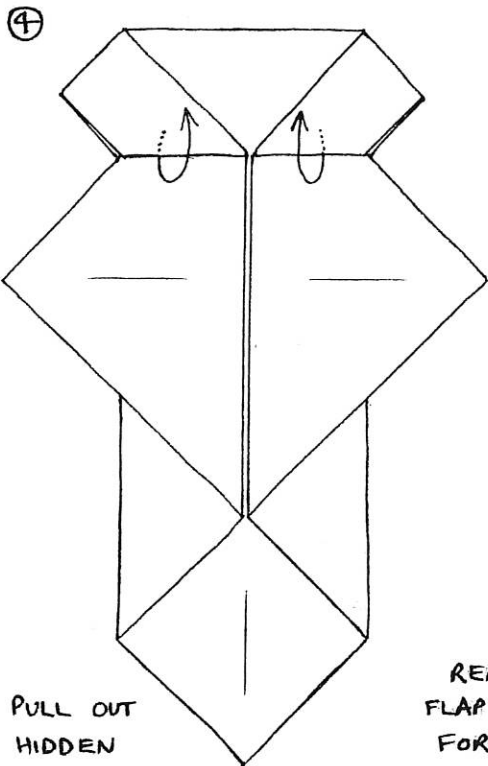


PUPPY DOG 2

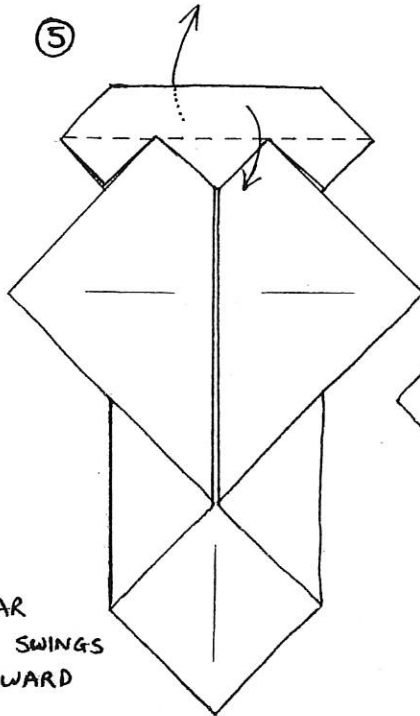


COLOUR UP

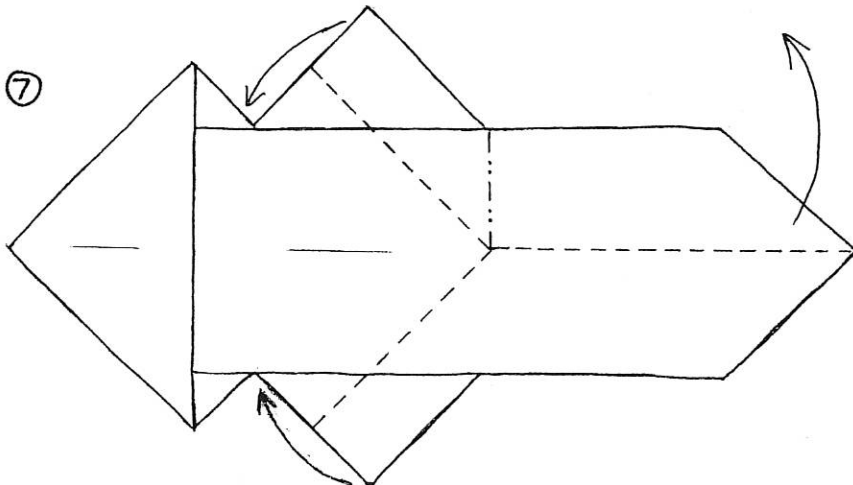
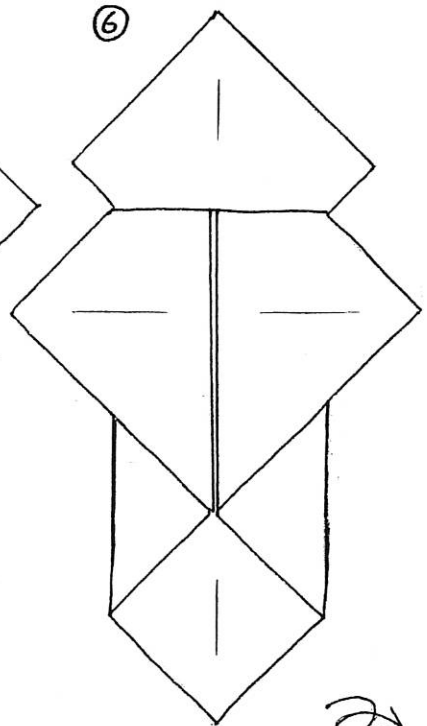
ALLOW TWO OF THE BLINTZED
CORNERS TO SWING FORWARD



PULL OUT
HIDDEN
CORNERS



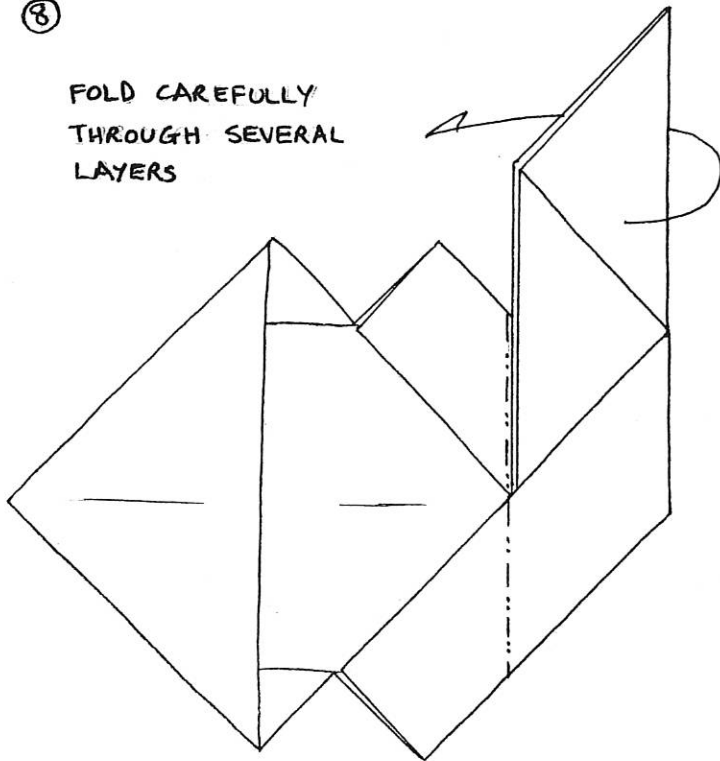
REAR
FLAP SWINGS
FORWARD



RABBIT'S EAR,
FOLDING ALL
LAYERS
SIMULTANEOUSLY

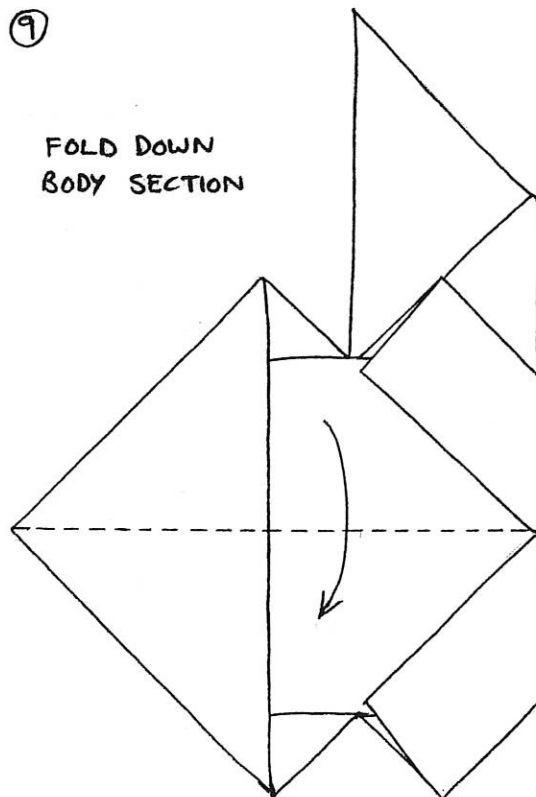
⑧

FOLD CAREFULLY
THROUGH SEVERAL
LAYERS



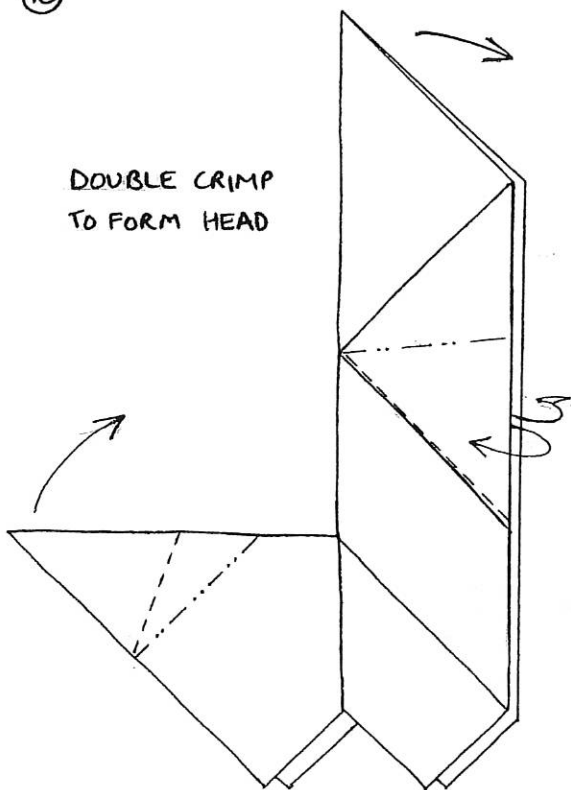
⑨

FOLD DOWN
BODY SECTION



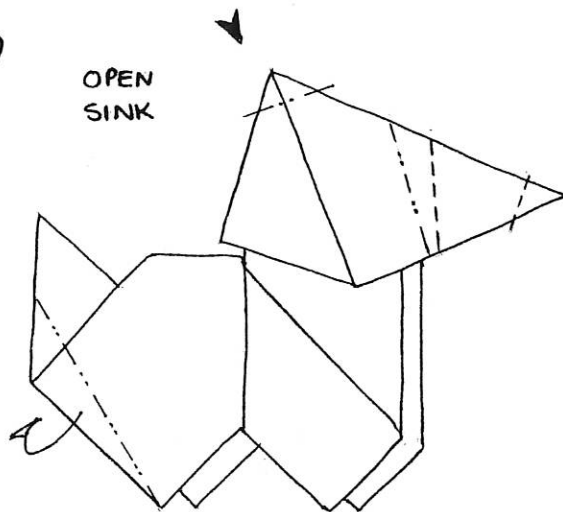
⑩

DOUBLE CRIMP
TO FORM HEAD



⑪

OPEN
SINK



⑫

TWO INSIDE REVERSE
FOLDS TO FORM TAIL

