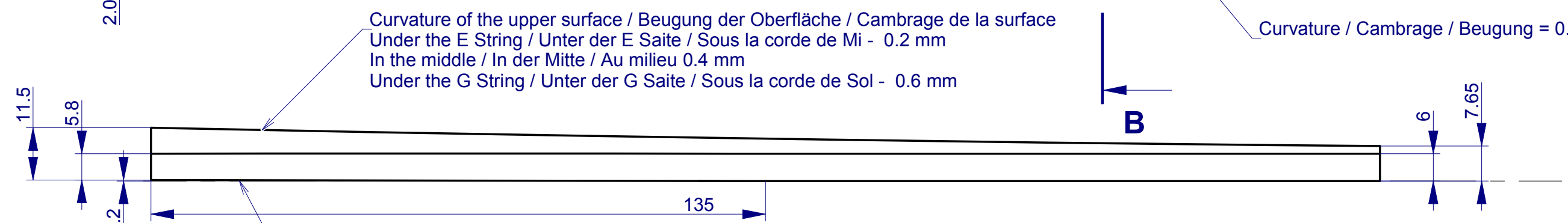
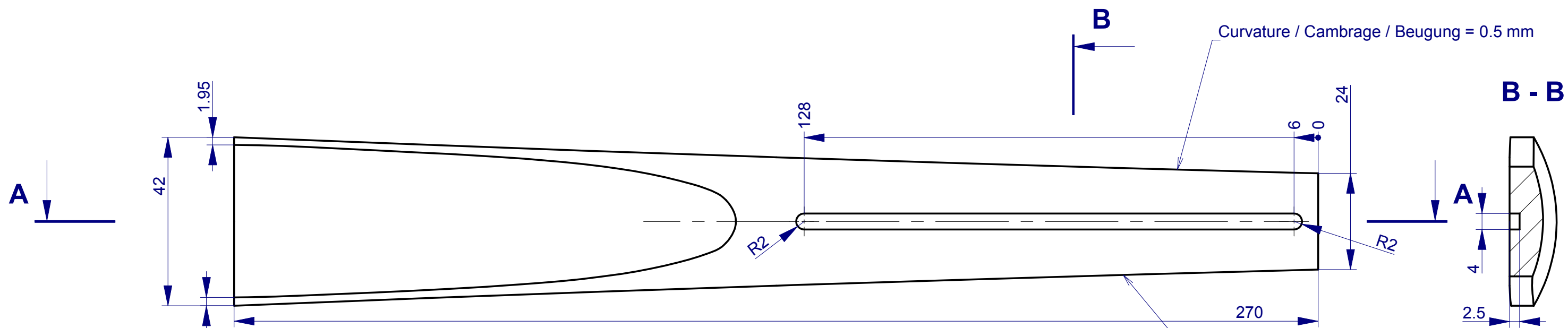
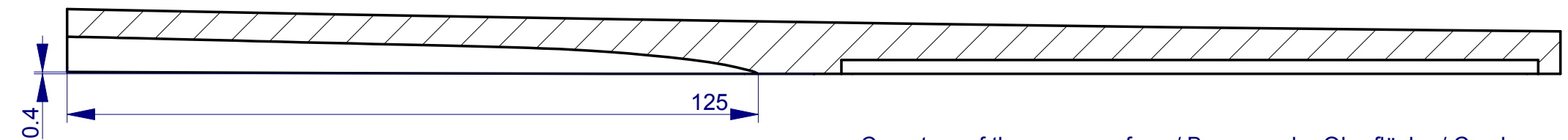


|       |               |      |           |         |
|-------|---------------|------|-----------|---------|
| RevNo | Revision note | Date | Signature | Checked |
|-------|---------------|------|-----------|---------|

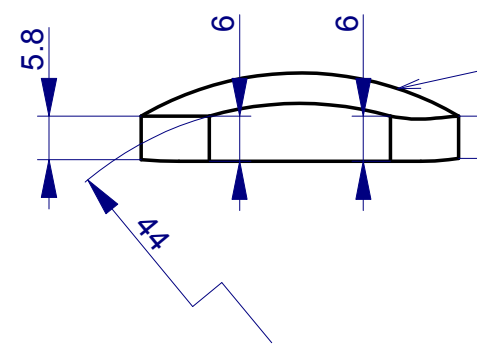
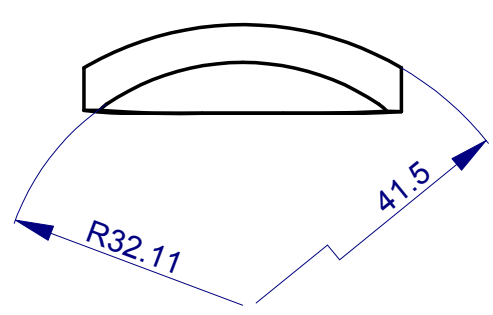


Slant / Schräge / Pan incliné  
Under the E String / Unter der E Saite / Sous la corde de Mi - 0.2 mm x 135 mm  
Under the G String / Unter der G Saite / Sous la corde de Sol - 0.4 mm x 135 mm

**A - A**



Curvature of the upper surface / Beugung der Oberfläche / Cambrage de la surface  
Under the E String / Unter der E Saite / Sous la corde de Mi - 0.2 mm  
In the middle / In der Mitte / Au milieu 0.4 mm  
Under the G String / Unter der G Saite / Sous la corde de Sol - 0.6 mm



|                     |            |  |                        |                     |                       |
|---------------------|------------|--|------------------------|---------------------|-----------------------|
| Itemref             | Quantity   | Title/Name, designation, material, dimension etc |                        |                     | Article No./Reference |
| Designed by<br>PHEN | Checked by | Approved by - date                               | File name              | Date<br>22 oct 2016 | Scale<br>1:1          |
| Corène              |            |  | Vio-Form_A-4_4-Fin-Std |                     |                       |
|                     |            |  | Génération 3           | Edition             | Sheet                 |

1

2

3

4

5

6

|       |               |      |           |         |
|-------|---------------|------|-----------|---------|
| RevNo | Revision note | Date | Signature | Checked |
|-------|---------------|------|-----------|---------|

A

A

B

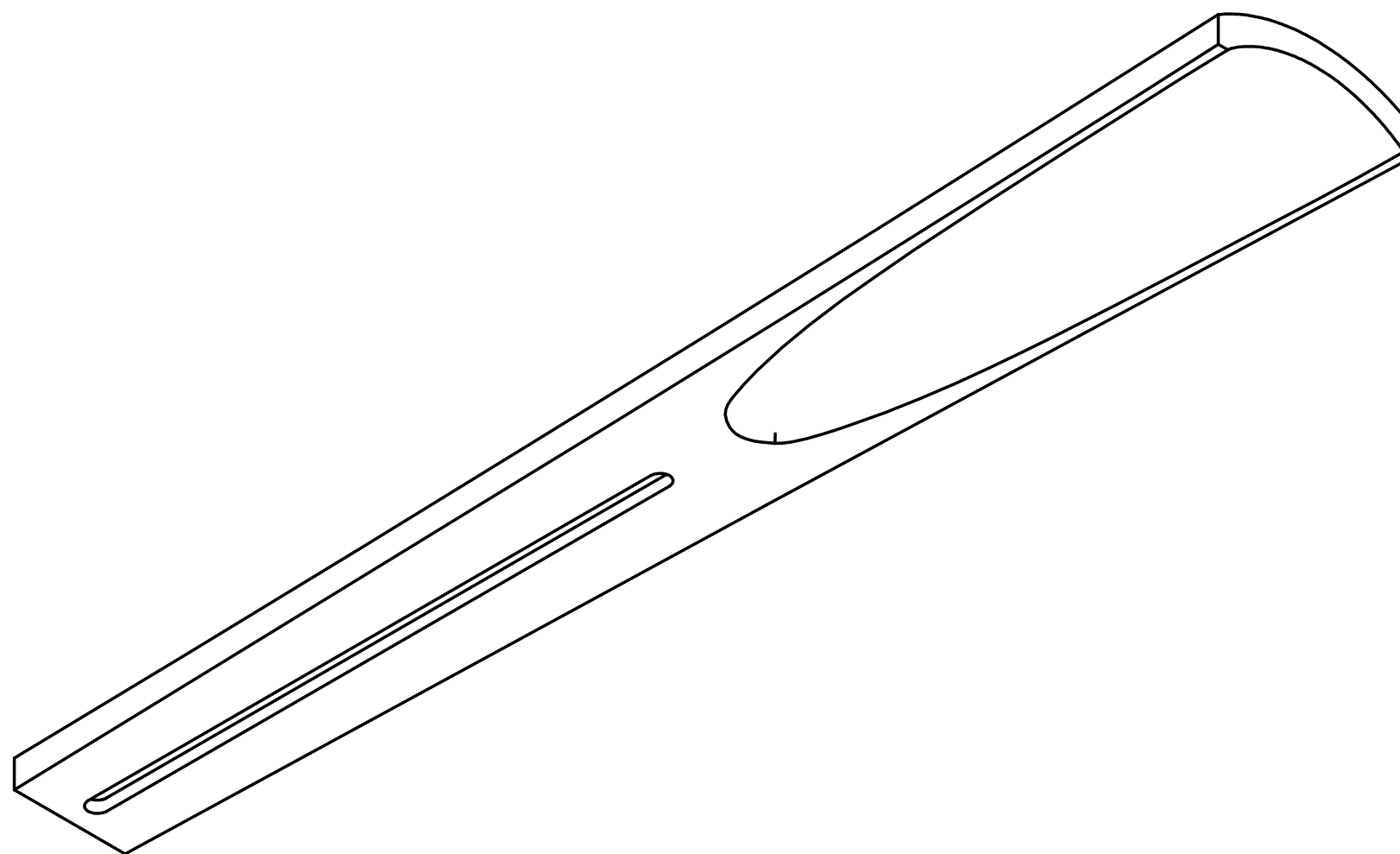
B

C

C

D

D



|                     |            |  |                        |                     |              |
|---------------------|------------|--|------------------------|---------------------|--------------|
| Itemref             | Quantity   | Title/Name, designation, material, dimension etc | Article No./Reference  |                     |              |
| Designed by<br>PHEN | Checked by | Approved by - date                               | File name              | Date<br>22 oct 2016 | Scale<br>1:1 |
| Corène              |            |  | Vio-Form_A-4_4-Fin-Std |                     |              |
|                     |            |  | Génération 3           | Edition<br>v 10     | Sheet        |

1

2

3

4

5

6

