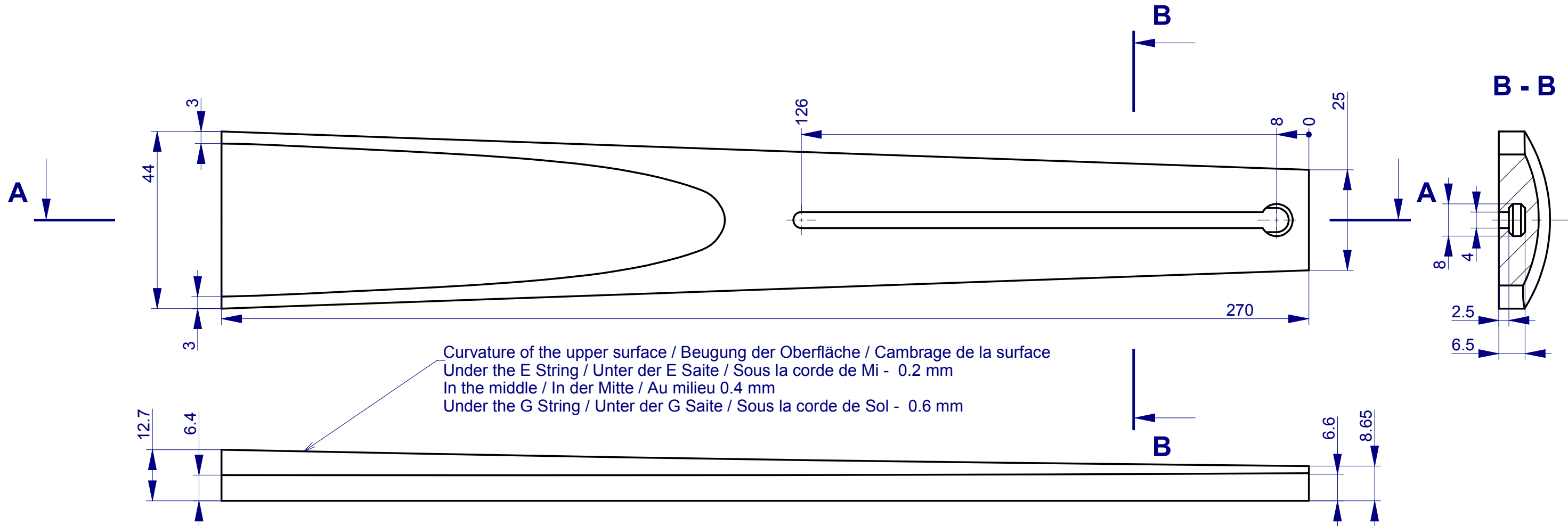
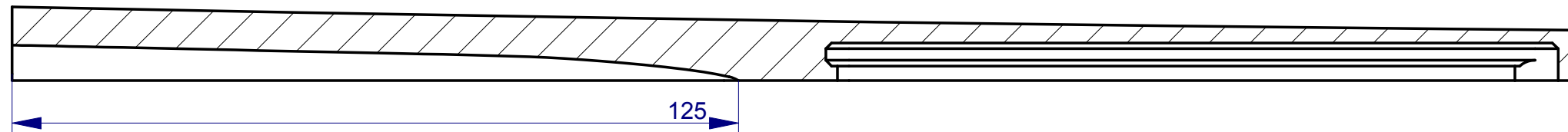


RevNo	Revision note	Date	Signature	Checked
-------	---------------	------	-----------	---------

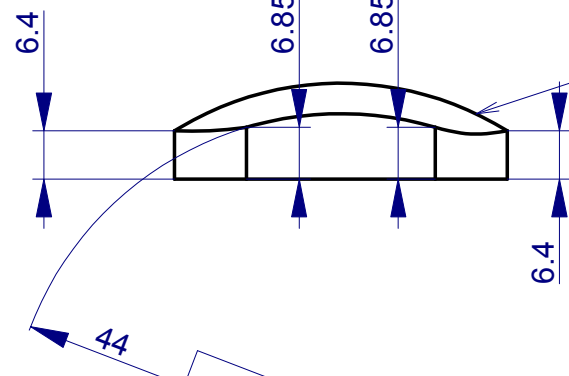
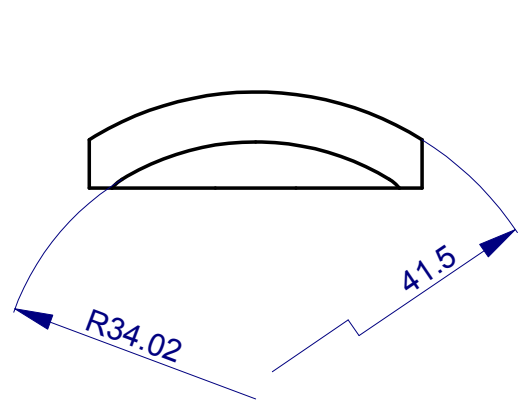


Curvature of the upper surface / Beugung der Oberfläche / Cambrage de la surface
 Under the E String / Unter der E Saite / Sous la corde de Mi - 0.2 mm
 In the middle / In der Mitte / Au milieu 0.4 mm
 Under the G String / Unter der G Saite / Sous la corde de Sol - 0.6 mm

A - A



Curvature of the upper surface / Beugung der Oberfläche / Cambrage de la surface
 Under the E String / Unter der E Saite / Sous la corde de Mi - 0.2 mm
 In the middle / In der Mitte / Au milieu 0.4 mm
 Under the G String / Unter der G Saite / Sous la corde de Sol - 0.6 mm



Itemref	Quantity	Title/Name, designation, material, dimension etc	Article No./Reference		
Designed by PHEN	Checked by	Approved by - date	File name	Date 22 oct 2016	Scale 1:1
Corène			Vio-Form_A-4_4-Lar-Leg		
			Génération 3	Edition	Sheet

1

2

3

4

5

6

RevNo	Revision note	Date	Signature	Checked
-------	---------------	------	-----------	---------

A

A

B

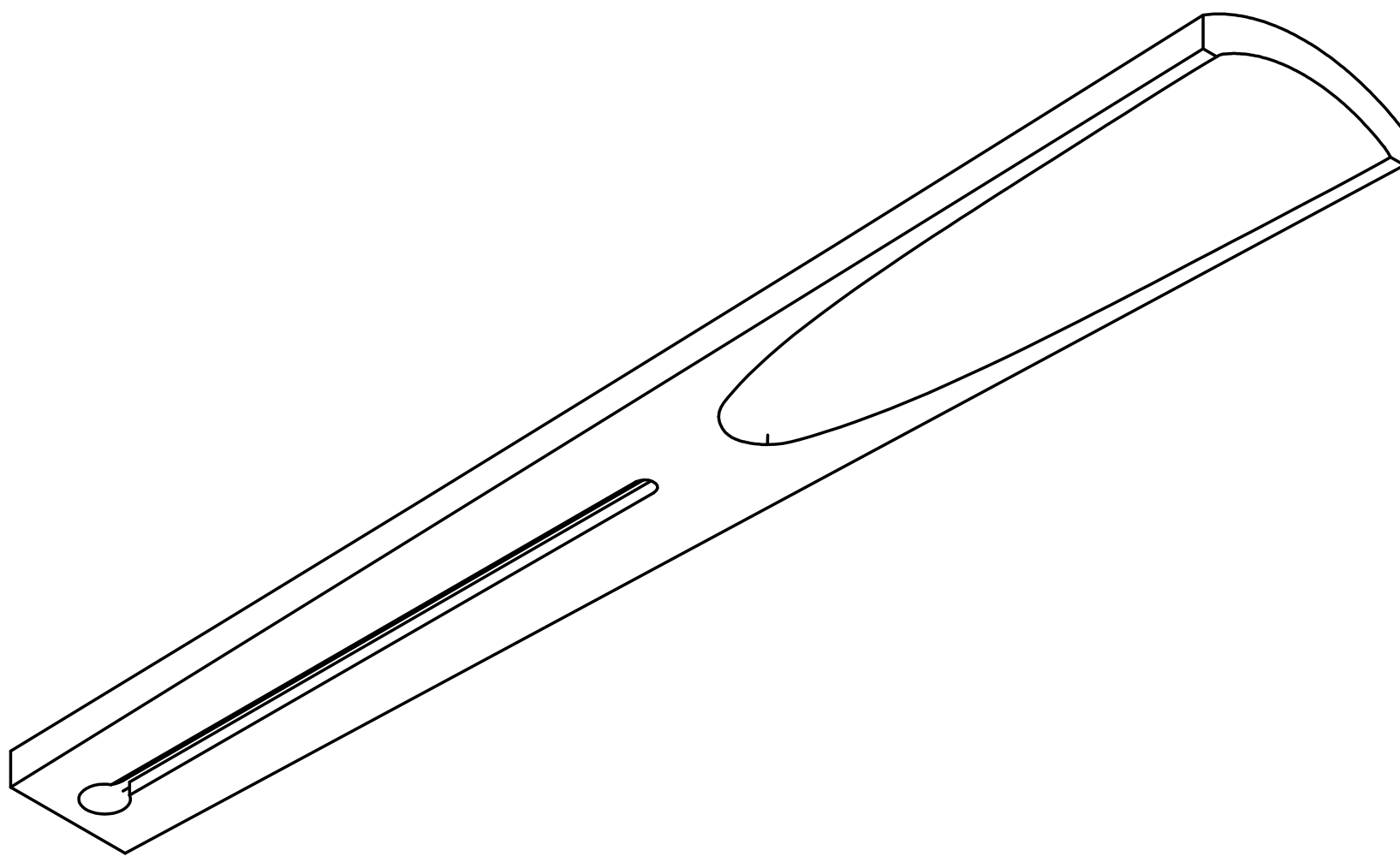
B

C

C

D

D



Itemref	Quantity	Title/Name, designation, material, dimension etc	Article No./Reference		
Designed by PHEN	Checked by	Approved by - date	File name	Date 22 oct 2016	Scale 1:1
Corène			Vio-Form_A-4_4-Lar-Leg		
			Génération 3		Edition v 10



1

2

3

4

5

6