

ROC 40

Product Information sheet

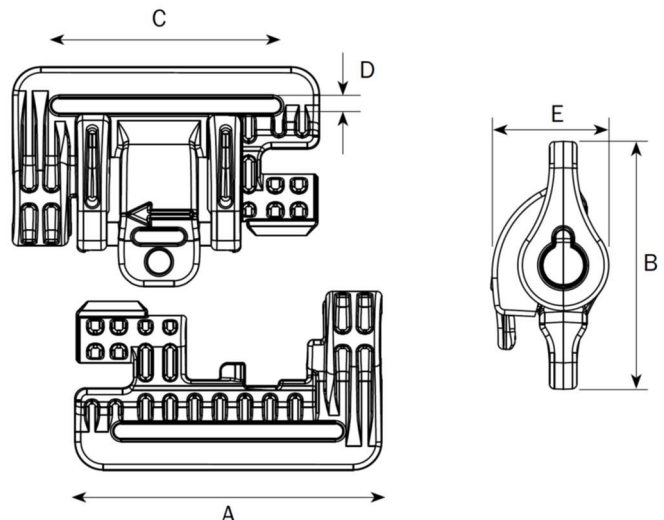


This product is designed for quick release applications on tactical vests, plate carriers and various tactical equipment.

Features:

- **Easy open and close for 40 mm webbing connections**
- **110 Kg tensile strength**
- **Standard colours: Black, TAN COYOTE and OLIVE GREEN**
- **All colours are made in IRR material**

Dimensions:



A	B	C	D	E
55	47	41	2,6	22,1

All values in cm