

# VersaTron®

*Non-invasive regenerative Extracorporeal Shock wave Technology (ESWT)*



## VERSATRON : PROVEN , TRUE, and VERSATILE

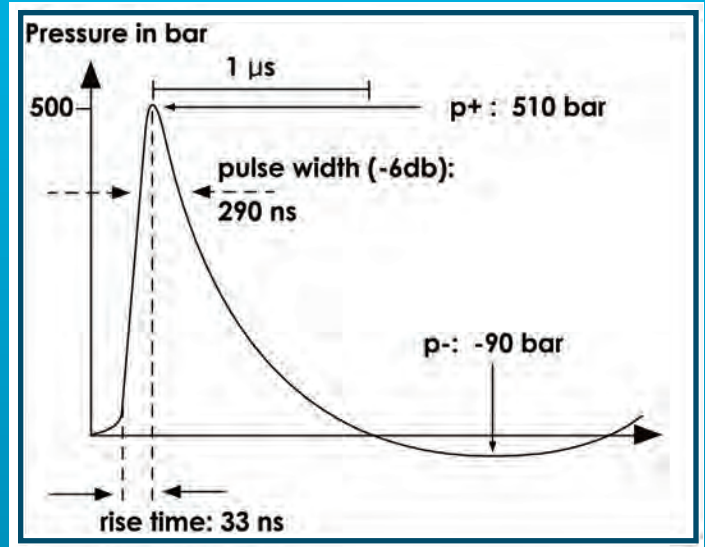
**PROVEN:** VersaTron has been the market-leading veterinary ESWT device since being introduced in 2002, and over 250,000 cases have successfully been completed to date.

**TRUE:** VersaTron focused electrohydraulic technology is the only type of ESWT that produces true shocks waves at all energy settings and delivers fully focused energy.

**VERSATILE:** VersaTron ESWT is the only type that can penetrate from 0-110mm making it suitable for more indications.

# ESWT is a Non-Invasive, Regenerative Technology Treatment

- ESWT is a non-invasive, pressure wave, regenerative technology treatment that is used in human and veterinary medicine.
- ESWT helps the body in relieving pain, speeding healing and the improving quality of healing.\*
- “Shock wave” is a physics term to describe a rapid increase in pressure, such as the energy from an explosion or thunder resulting from lightening. “Shock wave” does not refer to electrical shock.
- VersaTron ESWT is a much higher energy and can penetrate to deeper areas than many other types of energy treatment modalities (such as laser, therapeutic ultrasound, electrical stimulation and radial pressure treatments).



*A shock wave produced by the VersaTron demonstrates a rapid rise time followed by a slight negative pressure dip*

## VersaTron has Been Proven Effective in Treating: \*

- **Tendon and ligament injuries:** speeding healing and improving quality of healing
- **Wound healing:** healing chronic wounds, antibacterial properties
- **Bone healing:** speeding healing and improving bone density
- **Osteoarthritis:** alleviating symptoms and possible disease modification

Prospective controlled studies demonstrate VersaTron ESWT as being safe and without significant adverse events.\*

An analgesic effect lasting 3-4 days can be expected following treatment



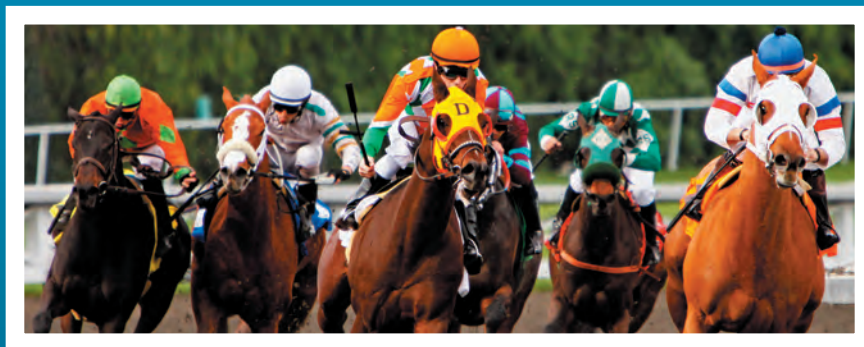
### VersaTron Indications:

- Periostitis
- Lumbosacral
- Stable Stress Fractures
- Suspensory ligament injuries
- Proximal Splint Bone Fractures
- Tendon Avulsion and Avulsion Fractures
- Hock Degenerative Joint Disease
- Tendinopathy or Tenosynovitis
  - Sesamoiditis
  - Sacroiliac

# VersaTron Provides True, Fully Focused, High Energy ESWT

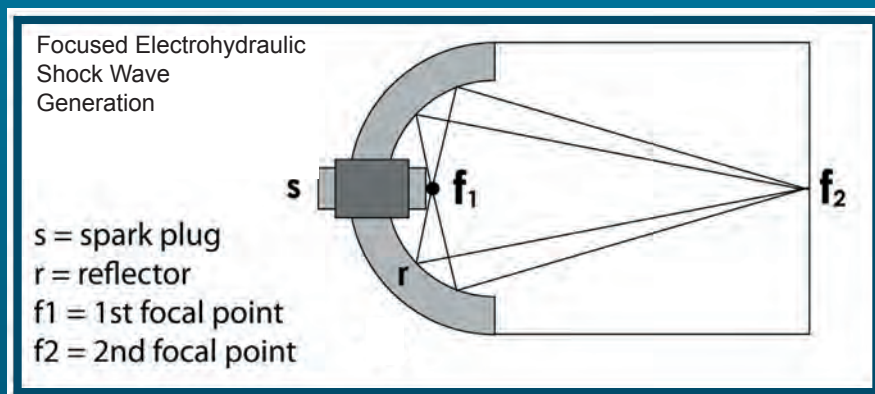
Different types of shock wave devices provide different results

	VersaTron Electrohydraulic shock wave	Other Electrohydraulic shock wave	Electromagnetic shock wave	Piezoelectric shockwave	Radial pressure wave (not a true shock wave device)
True shock waves at all energy settings	X	X			
Fully focused delievery	X		X	X	
High energy as used in most clinical studies	X		X	X	
Sufficient focal area for musculoskeletal indications	X	X			
Customized penetration depths up to 110mm	X				



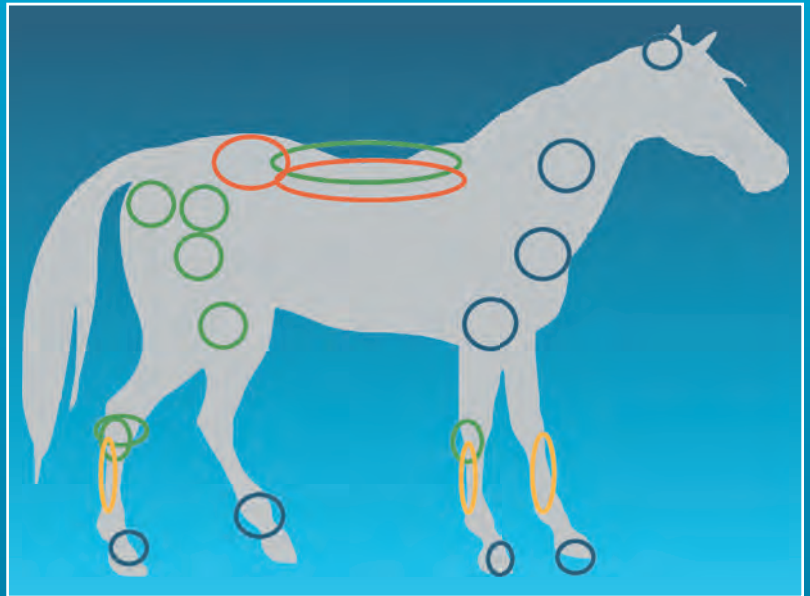
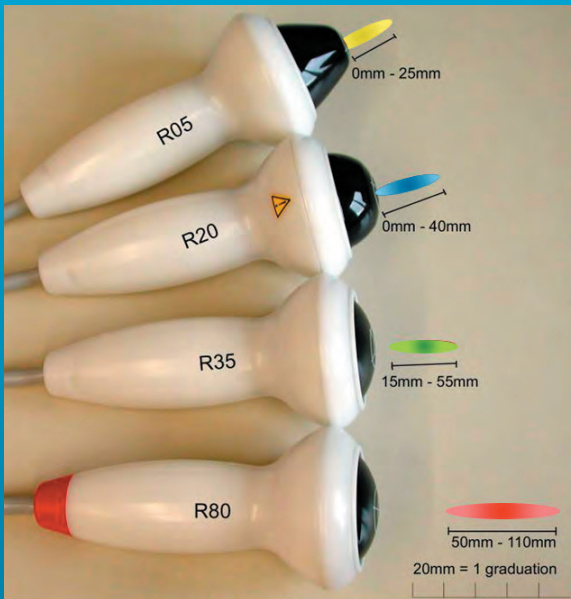
VersaTron utilizes completely focused electrohydraulic technology to produce true shock waves at all energy settings and deliver the energy to a focused point. With this technology, the amount of energy that is generated is the same as the amount of energy that is delivered. The energy does not dissipate or lessen allowing the full impact at the chosen focal point, which is critical to the efficacy of the technology.

VersaTron electrohydraulic technology is the only type of ESWT that provides true shock waves at all energy settings and delivers truly focused energy.



## VersaTron, Focused Penetration = Extensive Indications

- VersaTron trodes are available at 4 penetration depths (5 mm, 20 mm, 35 mm and 80mm) making the VersaTron optimal for indications as superficial as chronic wounds and as deep as the sacroiliac joint.
- The wide spectrum of indications for which VersaTron can be used is conducive to high utilization and associated practice income.



*VersaTron is available exclusively from Pulse Veterinary Technologies, LLC. "PulseVet". PulseVet is committed to advancements in veterinary science and works with leading universities and private veterinary practices to provide evidence-based medicine supporting the science of shock wave technology and validating new indications.*

- **PulseVet is the only company offering ESWT that is focused solely on veterinary use**
- **The PulseVet dedicated sales force and service team provides ongoing education and training to VersaTron customers**

# VersaTron®

Pulse Veterinary Technologies, LLC.

[www.PulseVet.com](http://www.PulseVet.com)

800.245.4417

[info@pulsevet.com](mailto:info@pulsevet.com)

\*For references contact [info@pulsevet.com](mailto:info@pulsevet.com)

© 2010 Pulse Veterinary Technologies, LLC.

 **PulseVet**