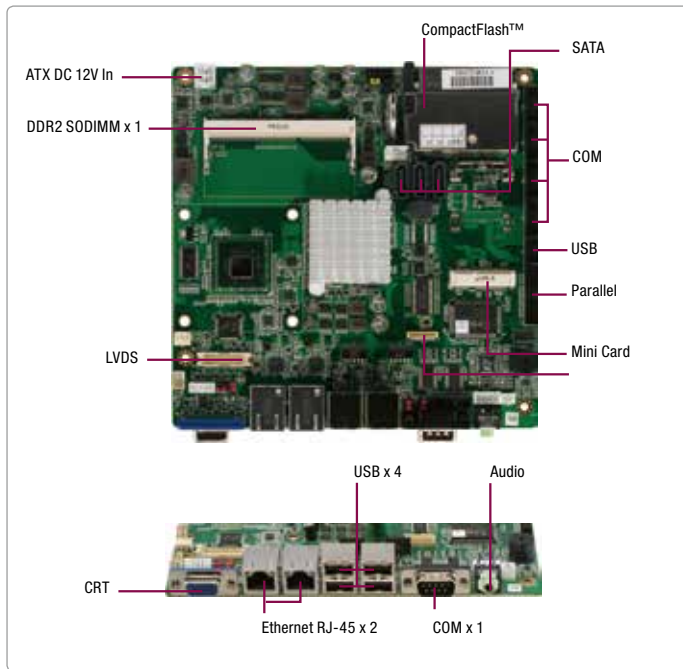


EMB-LN8T

Embedded Motherboard with Onboard Intel® Atom™ N455/D525 Processor



Features

- Intel® Atom™ N455/D525 Processor
- 204-pin DDR3 800MHz SODIMM x 1, Up to 4GB (Optional for 2nd SODIMM)
- Intel® ICH8M
- 10/100/1000Base-TX (RTL8111E)
- 18-bit LVDS Or 24-bit LVDS
- Speaker-out With 2W Amplifier
- SATA 3.0Gb/s x 3, RAID 0 & 1
- COM x 6 (RS-232 x 4, RS-232/422/485 x 2)
- Mini Card x 1 (Optional For 2nd Mini Card with SIM)
- Optional TPM1.2
- DC 12V
- Extra Slim With Height Only 20mm (Without Cooler, Dimm 2)



Specifications

System	
Form Factor	Mini-ITX
Processor	Onboard Intel® Atom™ N455/D525
System Memory	204-pin DDR3 800MHz SODIMM x 1, up to 4 GB (optional 2nd SODIMM)
Chipset	Intel® ICH8M
I/O Chipset	ITE8712F/KX-L + Fintek81216AD
Ethernet	10/100/1000Base-TX x 2, RTL8111E
BIOS	AMI 8MB
Wake on LAN	Yes
Watchdog Timer	255 Levels
H/W Status Monitoring	Monitoring system temperature, voltage, and cooling fan status
Expansion Interface	Mini Card-top: full (optional for bottom half with SIM slot)
Battery	Lithium Battery
Power Requirement	DC 12V
Power Consumption (Typical)	Intel® Atom™ D525 1.8GHz, DDR3 1GB, 1.79A@12V
Board Size	6.7" x 6.7" (170mm x 170mm)
Gross Weight	1.2 lb (0.5 kg)
Operating Temperature	32°F ~ 140°F (0°C ~ 60°C)
Storage Temperature	-40°F ~ 176°F (-40°C ~ 80°C)
Operating Humidity	0% ~ 90% relative humidity, non-condensing
MTBF (Hours)	55,000
Display	
	Supports CRT/LCD, CRT simultaneous/ dual view display
Chipset	Intel® Atom™ N455/D525 Integrated Graphics
Memory	Shared memory: 324MB/DVMT 4.0
Resolutions	Up to 1366 x 768, 18bpp for Single LVDS channel supporting resolution Up to 2048 x 1536 @ 60Hz for Analog RGB display output resolution
LCD Interface	18-bit or 24-bit LVDS
Video Interface	CRT
I/O	
Storage	CompactFlash™ x 1, SATA 3.0Gb/s x 3
Serial Port	RS-232 x 4, RS-232/422/485 x 2
Parallel Port	SPP/EPP/ECP mode
USB	USB2.0 x 8
PS/2 Port	Keyboard x 1, Mouse PS/2 x 1
Digital I/O	Supports 8-bit (Programmable)

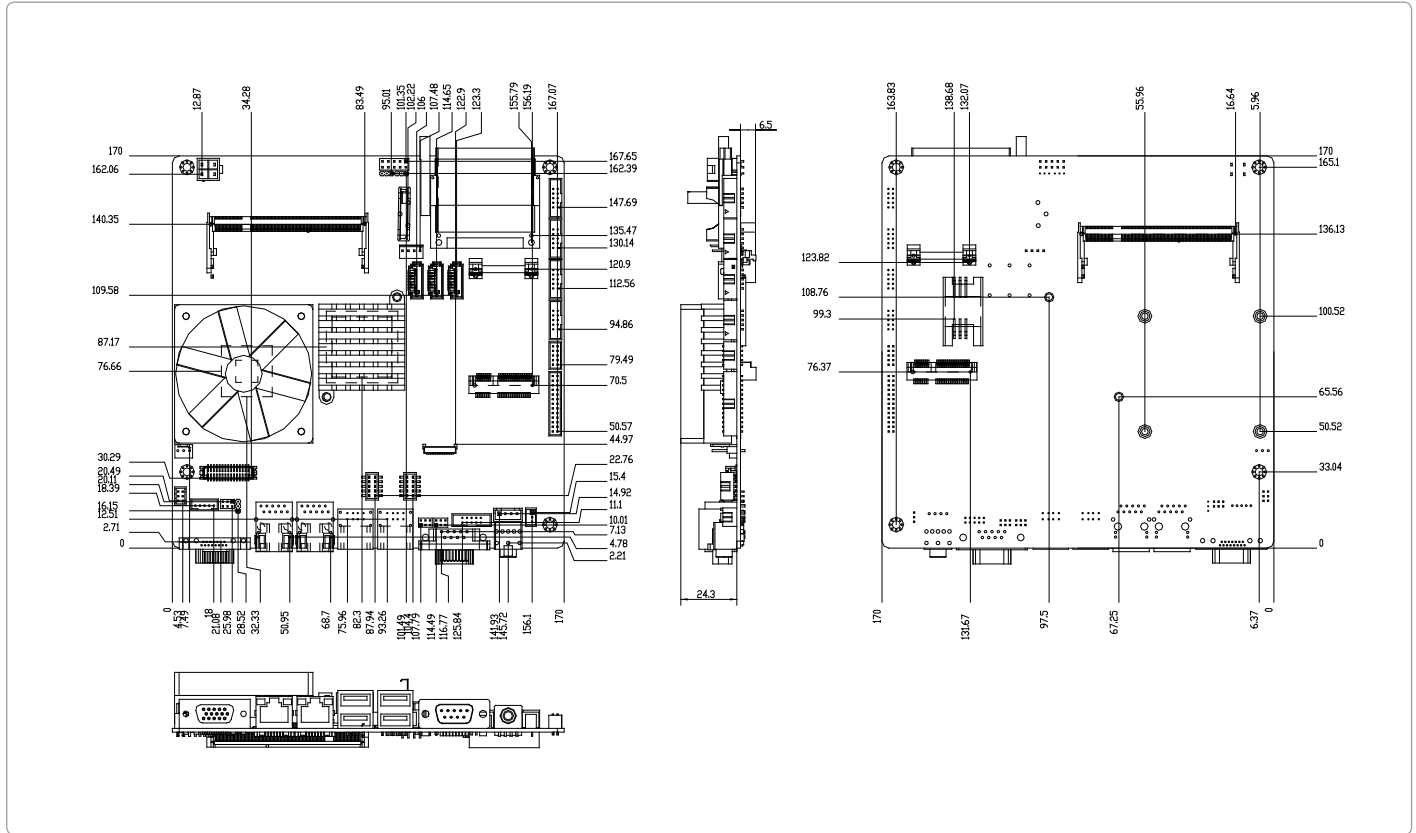
Packing List

- **1709070500**
SATA Cable
- **1702151200**
Onboard SATA Power Cable
- **9657666600**
Jumper Cap
- **17592LN8T0**
EMB-LN8T with Active Cooler (D525 Version) or With Passive Cooler (N455 Version)
- **Product DVD**
- **EMB-LN8T**

EMB-LN8T

Dimension

Unit: mm



Ordering Information

Part Number	CPU	RAM	Fan/Fanless	Display	Storage	LVDS	LAN	USB	RS-232	RS-232/422/485	Expansion Slot	Power	Temp.
TF-EMB-LN8T-A10	Intel® Atom™ D525	SODIMM	Fan	VGA/LVDS	SATA2 x 3	18/24b, 1CH	GbE x 2	8	4	2	Mini PCI-Ex 1	+12V/DC	0°C ~ 60°C
TF-EMB-LN8T-A10-01	Intel® Atom™ N455	SODIMM	Fanless	VGA/LVDS	SATA2 x 3	18/24b, 1CH	GbE x 2	8	4	2	Mini PCI-Ex 1	+12V/DC	0°C ~ 60°C