

VIA

ARTiGO A1150

Ultra Compact Embedded System with HDMI, VGA, Host/Device USB and GigaLAN



Features

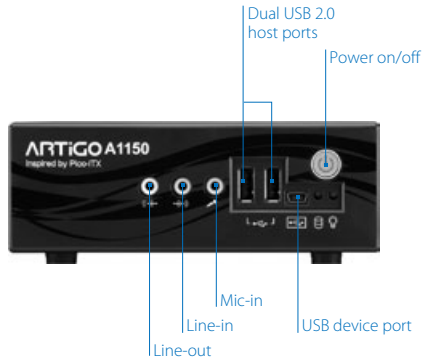
- Powered by VIA Eden™ X2 processor with Pico-ITX board
- Integrated VIA Chrome™9 HD DX9 3D/2D video processor with MPEG-2, WMV9/VC1, H.264 video decoding acceleration
- Supports up to 4GB DDR3 SODIMM memory size
- Onboard Gigabit Ethernet
- One USB client port, user friendly and quick data transmission
- Supports one 2.5" SATA HDD installation
- Supports one SD card slot (optional)
- Space saving, low power consumption, ultra compact design

Specifications

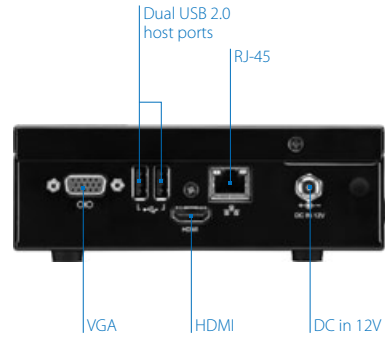
Part Number	ATG-1150-1D10A3	
Computing System	Processor	1.0GHz VIA Eden™ X2
	Front Side Bus	800 MHz
	L2 Cache	2MB
	Chipset	VIA VX900H Media System Processor
	BIOS	AMI BIOS, 8 Mbit SPI Flash BIOS
	System Power Management	Timer Power-on ACPI supported
	Memory	Technology
Max. Capacity		Up to 4GB memory size
Graphic	Controller	Integrated VIA Chrome™9 HD DX9 3D/2D video processor with MPEG-2, WMV9/VC1, H.264 video decoding acceleration
	Display Memory	Optimized Unified Memory Architecture (UMA), support up to 512 MB frame buffer using system memory
	CRT Interface	Supports 1 x External VGA port by a DB-9 connector Pixel resolution support up to 2048 x 1536
	HDMI Interface	Onboard 1 of HDMI port connector
	Dual View	Two independent display engines built-in VX900H chipset, support CRT+HDMI at different resolutions, pixel depths, and refresh rates with completely two different video contents
Ethernet	Controller	Onboard VIA VT6130G Gigabit Ethernet controller
	Interface	Supports 1 x RJ45 connector Supports Wake-on LAN (WOL) Supports Pre-boot Execution Environment (PXE)
	HD Audio	VIA VT2021 High Definition Audio Codec
Serial	Interface	Supports 3 x 3.5Φ Audio jack as speaker and Mic-in
	USB Host	4 x USB ports, USB 2.0 compliant
Storage	USB Device	1 x USB client port
	HDD	Default support 1 x 2.5" SATA hard disk drive or SSD bay
System Indicator	SD	Optional support 1 x SD card reader Comply with 480Mbps Universal Serial Bus specification rev. USB 2.0 MMC system specification 4.2 , SD memory card specification 2.0 , SDHC memory card, Micro SD
	Power Status LED	1 x Red color LED
	HDD Activity LED	1 x Green color LED
Watch Dog Timer	Output	System reset
	Interval	Programmable 1~255 sec
Front Panel External I/O Connectors	USB Host	2 x USB ports of min-DIN connectors
	USB Device	1 x USB client port of micro USB connector
	Audio Line-out	1 x 3.5Φ Audio jack as Line-out
	Audio Line-in	1 x 3.5Φ Audio jack as Line-in
	Audio Mic-in	1 x 3.5Φ Audio jack as Mic-in



Front System I/O



Rear System I/O



Specifications

Part Number	ATG-1150-1D10A1	
Rear Panel External I/O Connectors	VGA	1 x D-Sub 15-pin female connector
	Dual USB 2.0	2 x USB ports of min-DIN connectors
	Gigabit LAN	1 x RJ45 connector of Gigabit Ethernet port
	HDMI	1 x HDMI connector
Left Panel External I/O Connectors	SD Slot	Optional support 1 x SD card slot
Power Supply	Power Consumption	Maximum 22.97 w Typical 17.41 w
	Input Voltage	Accept power input of DC 12V Typical power input 12 VDC @ 1.45 A
	Power Input Connector	DC power input connector by DC jack connector
	Input Power Protection	Supports over voltage protection Supports over current protection Supports under voltage protection
	Fuse Rating	7A @ 125V
	Mechanical	Construction
Mounting		Wall/Table/WESA mountable by optional mounting kits P/N:ATG-A1100-1WZA1
Dimensions		146 mm (W) x 52 mm (H) x 99 mm (D) (5.74" x 2.04" x 3.89")
Weight		0.6 kg (1.32lbs)
Environmental Specification	Operating Temperature	0 °C up to 45°C
	Storage Temperature	-10°C ~ 60 °C
	Relative Humidity	0 ~ 90% @ 45°C, non-condensing
	Vibration Loading During Operation	0.6Grms, IEC 60068-2-64, random, 5 ~ 500Hz, 1 Oct./min, 1hr/axis
	Shock During Operation	20G, IEC 60068-2-27, half size, 11 ms duration
Software Compatibility	EMC Approved	CE, FCC
	Operation System	Microsoft Windows XP, Windows 7, Windows Embedded Standard, Windows Embedded Standard 7, Linux

Ordering Information

Part Number	System Built-in CPU	Description
ATG-1150-1D10A3	1.0GHz Eden™ X2	1.0GHz Eden™ X2 CPU Semi-Embedded System, with VGA, HDMI, 4 x USB 2.0, 1 x GbE, 1 x Speaker, DC-in 12V, AC/DC Adapter, US Power Cord
ATG-1150-2D10A3	1.0GHz Eden™ X2	1.0GHz Eden™ X2 CPU Semi-Embedded System, with VGA, HDMI, 4 x USB 2.0, 1 x GbE, 1 x Speaker, DC-in 12V, AC/DC Adapter, EU Power Cord
ATG-1150-3D10A3	1.0GHz Eden™ X2	1.0GHz Eden™ X2 CPU Semi-Embedded System, with VGA, HDMI, 4 x USB 2.0, 1 x GbE, 1 x Speaker, DC-in 12V, AC/DC Adapter, JP Power Cord
ATG-1150-8D10A3	1.0GHz Eden™ X2	1.0GHz Eden™ X2 CPU Semi-Embedded System with VGA, HDMI, 4 x USB 2.0, 1 x GbE, 1 x Speaker, DC-in 12V, AC/DC Adapter, CN Power Cord
ATG-1150-4D10A3	1.0GHz Eden™ X2	ATG-A1150-3D10A3 Bundled with MagicView Standalone, WES7 JP, 320GB HDD, 2G DDR3

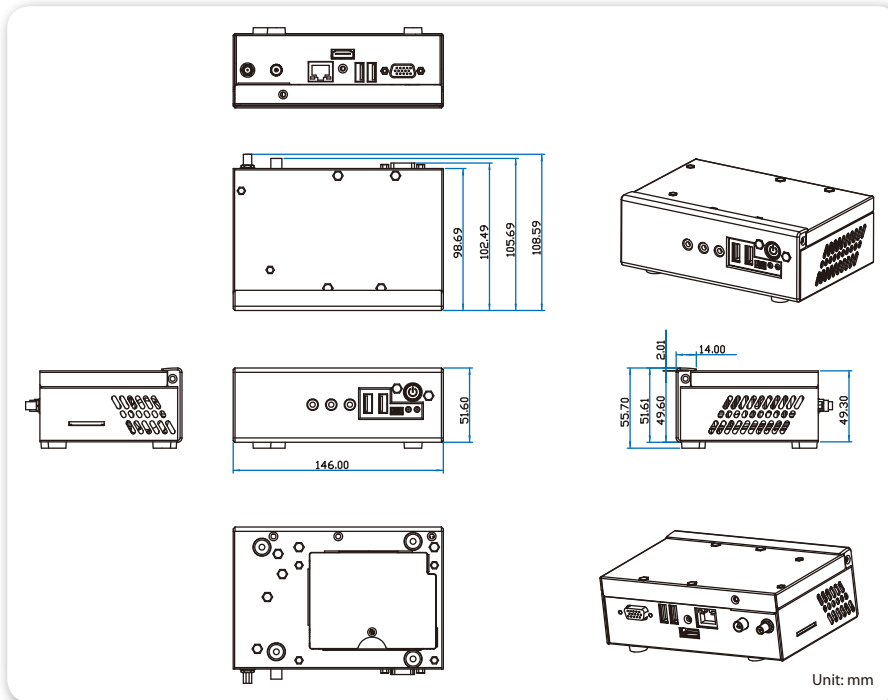
Ordering Information

Part Number	System Built-in CPU	Description
ATG-1150-6D10A3	1.0GHz Eden™ X2	ATG-A1150-1D10A3 Bundled with MagicView Standalone, WES7 En, 320GB HDD, 2G DDR3
ATG-A1150-5D10A3	1.0GHz Eden™ X2	ATG-A1150-3D10A1 Bundled with MagicView Server, WES7 JP, 320GB HDD, 2G DDR3
ATG-A1150-7D10A3	1.0GHz Eden™ X2	ATG-A1150-1D10A1 Bundled with MagicView Server, WES7 En, 320GB HDD, 2G DDR3

Optional Accessories

External AC-to-DC Adapter and Power Cable		WLAN Module	
Part Number	Description	Part Number	Description
99G33-02031C	Power cord, 180 cm, UK type	EMIO-1530-80A1	802.11 b/g/ Wireless LAN USB Module for USA
SD Card Reader		EMIO-1530-90A1	802.11 b/g/ Wireless LAN USB Module for Europe
Part Number	Description	EMIO-1533-00A1	802.11 b/g/n Wireless LAN USB Module with assembly kit (VNT9271)
EMIO-5130-00A1	1 x SD card reader		
Mounting Bracket			
Part Number	Description		
ATG-A1150-1WVZA1	Wall/VESA mount dual function mounting bracket		
Embedded OS (Only available for T-Parts OEM service)			
Part Number	Description		
POS-ME7SLI-ENS27	Windows Embedded Standard 7 64Bit SP1 Image & License For ARTiGO-A1150(EPIA-P900) English Version		
POS-DLNXXI-ENS14	Debian Linux Image only For ARTiGO-A1150(EPIA-P900) English Version v.1.0		

Dimensions



Packing List

- 1 x ARTiGO A1150 system
- 1 x AC-to-DC adapter, DC 12V/5A, 60W
- 1 x Installation guide