

ECS-9700/9600 GTX1050

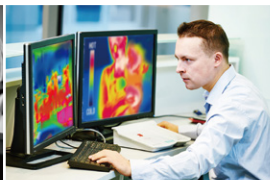
Quad Core Intel® Xeon®/Core™ i7 Processor (Skylake-H) Embedded System with Intel® CM236 & NVIDIA GeForce® GTX 1050 Ti/GTX 1050, NVIDIA Pascal™ architecture, 6 GigE LAN with 4 PoE+, 2 Front-access SSD Tray, 4 SIM, 6 USB 3.0, 4 COM, 32 Isolated DIO, 2 SUMIT Slots, High Performance, Independent Graphics, EN50155, EN50121



- Quad Core Intel® Xeon®/Core™ i7 Processor (Skylake-H) with CM236
- 2 DDR4 2133MHz, up to 32GB (ECC/Non-ECC)
- 6 independent GigE LAN with 4 IEEE 802.3at PoE+
- 4 SIM Card Socket for WiFi/3G/4G/LTE/GPRS/UMTS
- 10V to 36V DC-in with 80V Surge Protection
- Configurable Ignition Power Control
- NVIDIA GeForce® GTX 10 Series graphics engine supports NVIDIA Pascal™ GPU architecture, up to 8K resolution
- Display : 1 VGA, 2 DVI, 1 HDMI and 3 DisplayPort, up to 6 independent HD displays
- 2 Front-access 2.5" SSD Tray, 6 USB 3.0, 4 COM
- 32 Isolated DIO, 4 Mini PCIe/mSATA
- Optional supports full function SUMIT A, B



Machine Vision



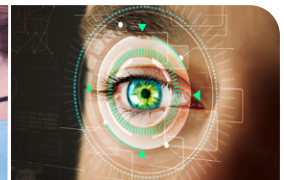
Embedded Workstation



Vehicle Computing



Telemedicine

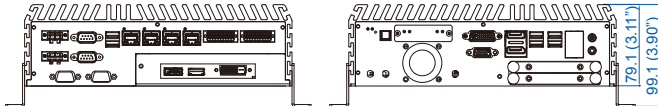


Deep Learning

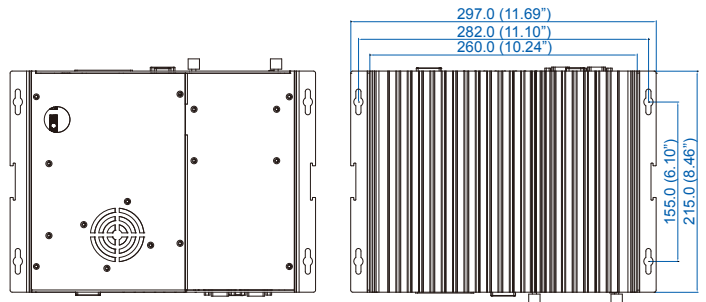
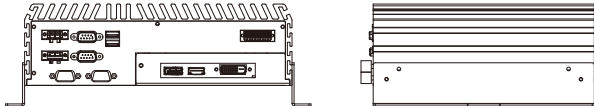


Dimensions & Drawing Unit: mm (inch)

ECS-9740 GTX1050



ECS-9600 GTX1050



Specifications

System

| | |
|-----------|--|
| Processor | Intel® Xeon® E3-1505M v5/Core™ i7-6820EQ Processor (Skylake-H) |
| Chipset | Intel® CM236 |
| BIOS | AMI |
| SIO | IT8786E |
| Memory | 2 DDR4 2133MHz SO-DIMM, up to 32GB (ECC/Non-ECC) |

I/O Interface

| | |
|--------------|--|
| Serial | 4 COM RS-232/422/485 (ESD 8KV) |
| USB | • 6 USB 3.0 (External) • 1 USB 2.0 (Internal) |
| Isolated DIO | 32 Isolated DIO : 16 DI, 16 DO |
| LED | Power, HDD, PoE, Wireless |
| SIM Card | 4 SIM Card Socket (3 External, 1 Internal) |

Expansion

| | |
|------------|--|
| Mini PCIe | 4 Mini PCIe Socket : • 3 Full-size for PCIe/USB/External SIM Card/mSATA • 1 Full-size for PCIe/Internal SIM Card/mSATA |
| SUMIT A, B | 2 SUMIT Slot (Optional) |

Graphics

| | |
|-----------|--|
| Processor | • Intel® HD Graphics P530/530 • NVIDIA GeForce® GTX 1050 Ti/GTX 1050 |
| Interface | 7 Display interfaces : • 2 DVI : Up to 1920 x 1200 @ 60 Hz • 1 DisplayPort : Up to 7680 x 3840 @ 60Hz • 2 DisplayPort : Up to 4096 x 2304 @ 60Hz • 1 VGA : Up to 1920 x 1200 @ 60Hz • 1 HDMI : Up to 4096 x 2160 @ 60Hz |

Storage

| | |
|----------------|--|
| SATA | 4 SATA III support S/W RAID 0, 1, 5, 10 : • 3 SATA III (6Gbps) • 1 SATA III co-lay with Mini PCIe (6Gbps) |
| mSATA | 4 mSATA connections : • 3 SATA III (Mini PCIe Type, 6Gbps) • 1 SATA III co-lay with SATA (Mini PCIe Type, 6Gbps) |
| Storage Device | 1 CFast Socket, Push-in/Push-out Ejector 2 Front-access 2.5" SSD/HDD Tray |

Audio

| | |
|-----------------|--------------------------------------|
| Audio Codec | Realtek ALC892, 5.1 Channel HD Audio |
| Audio Interface | 1 Mic-in, 1 Line-out |

Ethernet

| | |
|-------|---|
| LAN 1 | Intel® I219LM GigE LAN supports iAMT 11.0 |
| LAN 2 | Intel® I210 GigE LAN |

PoE (ECS-9700)

| | |
|-------|---|
| LAN 3 | GigE IEEE 802.3at (25.5W/48V) PoE* by Intel® I210 |
| LAN 4 | GigE IEEE 802.3at (25.5W/48V) PoE* by Intel® I210 |
| LAN 5 | GigE IEEE 802.3at (25.5W/48V) PoE* by Intel® I210 |
| LAN 6 | GigE IEEE 802.3at (25.5W/48V) PoE* by Intel® I210 |

Power

| | |
|------------------|---|
| Power Input | 10V to 36V, DC-in |
| Power Interface | 3-pin Terminal Block : V+, V-, Frame Ground |
| Ignition Control | 16 Mode (Internal) |
| Remote Switch | 3-pin Terminal Block |
| Surge Protection | Up to 80V/1ms Transient Power |

Others

| | |
|------------------|---|
| TPM | Optional Infineon SLB9665 supports TPM 2.0, LPC Interface |
| Watchdog Timer | Reset : 1 to 255 sec./min. per step |
| Smart Management | Wake on LAN, PXE supported |
| HW Monitor | Monitoring temperature, voltages. Auto throttling control when CPU overheats. |

Software Support

| | |
|----|---|
| OS | Windows 10, Windows 8.1, Windows 7, Linux |
|----|---|

Mechanical

| | |
|--------------------|---|
| Dimensions (WxLxH) | 260mm x 215mm x 79mm (10.2" x 8.5" x 3.1") |
| Weight | 4.3 kg (9.48 lb) |
| Mounting | • Wallmount by mounting bracket • DIN Rail Mount (Optional) • 2U Rackmount (Optional) |

Environment

| | |
|-------------------|--|
| Operating Temp. | -20°C to 60°C (-4°F to 140°F) |
| Storage Temp. | -40°C to 85°C (-40°F to 185°F) |
| Humidity | 5% to 95% Humidity, non-condensing |
| Relative Humidity | 95% at 60°C |
| Shock | • IEC 60068-2-27 • SSD : 50G @ wallmount, Half-sine, 11ms • IEC 60068-2-64 |
| Vibration | • SSD : 5Grms, 5Hz to 500Hz, 3 Axis |
| EMC | CE, FCC, EN50155, EN50121-3-2 |

Order Information

| | |
|-------------------------|---|
| ECS-9740-505M-GTX1050T | • ECS-9700, Intel® Xeon® E3-1505M v5, NVIDIA GeForce® GTX 1050 Ti, 6 GigE LAN w/4 PoE+, 2 SSD, 6 USB 3.0, 4 COM, 4 SIM, 32 Isolated DIO (ECC supported) |
| ECS-9740-505M-GTX1050 | • ECS-9700, Intel® Xeon® E3-1505M v5, NVIDIA GeForce® GTX 1050, 6 GigE LAN w/4 PoE+, 2 SSD, 6 USB 3.0, 4 COM, 4 SIM, 32 Isolated DIO (ECC supported) |
| ECS-9740-820Q-GTX1050T | • ECS-9700, Intel® Core™ i7-6820EQ, NVIDIA GeForce® GTX 1050 Ti, 6 GigE LAN w/4 PoE+, 2 SSD, 6 USB 3.0, 4 COM, 4 SIM, 32 Isolated DIO |
| ECS-9740-820Q-GTX1050 | • ECS-9700, Intel® Core™ i7-6820EQ, NVIDIA GeForce® GTX 1050, 6 GigE LAN w/4 PoE+, 2 SSD, 6 USB 3.0, 4 COM, 4 SIM, 32 Isolated DIO |
| ECS-9600-505M-GTX1050T | • ECS-9600, Intel® Xeon® E3-1505M v5, NVIDIA GeForce® GTX 1050 Ti, 2 GigE LAN, 2 SSD, 6 USB 3.0, 4 COM, 4 SIM, 16 Isolated DIO (ECC supported) |
| ECS-9600-505M-GTX1050 | • ECS-9600, Intel® Xeon® E3-1505M v5, NVIDIA GeForce® GTX 1050, 2 GigE LAN, 2 SSD, 6 USB 3.0, 4 COM, 4 SIM, 16 Isolated DIO (ECC supported) |
| ECS-9600-820Q-GTX1050T | • ECS-9600, Intel® Core™ i7-6820EQ, NVIDIA GeForce® GTX 1050 Ti, 2 GigE LAN, 2 SSD, 6 USB 3.0, 4 COM, 4 SIM, 16 Isolated DIO |
| ECS-9600-820Q-GTX1050 | • ECS-9600, Intel® Core™ i7-6820EQ, NVIDIA GeForce® GTX 1050, 2 GigE LAN, 2 SSD, 6 USB 3.0, 4 COM, 4 SIM, 16 Isolated DIO |
| DDR4 16G | • Certified DDR4 16GB 2133MHz RAM |
| DDR4 8G | • Certified DDR4 8GB 2133MHz RAM |
| DDR4 4G | • Certified DDR4 4GB 2133MHz RAM |
| PWA-280W-WT | • 280W, 24V, 85V AC to 264V AC Power Adapter with 3-pin Terminal Block, Wide Temperature -30°C to +70°C |
| PWA-160W-WT | • 160W, 24V, 85V AC to 264V AC Power Adapter with 3-pin Terminal Block, Wide Temperature -30°C to +70°C |
| VESA Mount | • VESA Mounting Kit |
| DIN-RAIL | • DIN Rail Kit |
| Rack Mount | • 2U Rackmount Kit |
| TMK2-20P-100 | • Terminal Block 20-pin to Terminal Block 20-pin Cable, 100cm |
| TMK2-20P-500 | • Terminal Block 20-pin to Terminal Block 20-pin Cable, 500cm |
| TMB-TMBK-20P | • Terminal Board with One 20-pin Terminal Block Connector and DIN-Rail Mounting |
| 3G Module | • Mini PCIe 3G/GPS Module with Antenna |
| 4G Module | • Mini PCIe 4G/GPS Module with Antenna |
| WiFi & Bluetooth Module | • Mini PCIe WiFi & Bluetooth Module with Antenna |

ECS-9700/9600 GTX1050-20170706