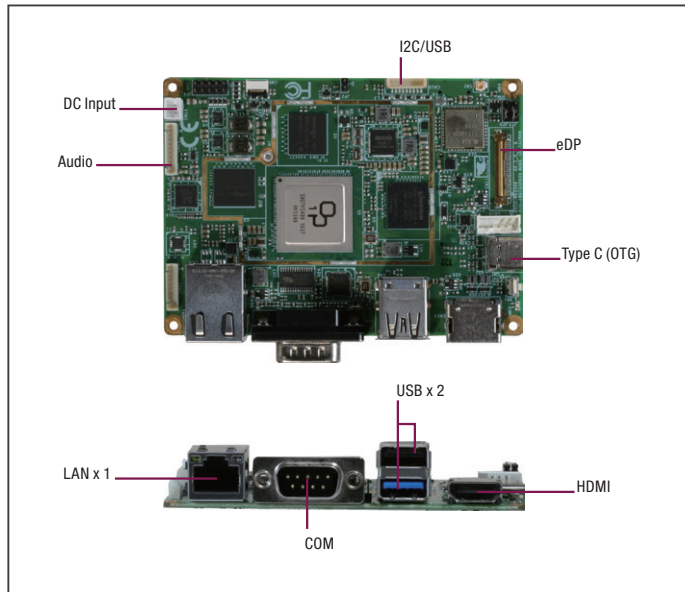


Pico-ITX Fanless Board with Rockchip ARM Dual-Core Cortex-A72 and Quad-Core Cortex-A53



Features

- Rockchip RK3399 SoC
- Onboard LPDDR3 Memory 2GB
- Onboard eMMC 16GB
- MicroSD Slot
- Gigabit Ethernet x 1
- eDP and HDMI
- RS-232 x 1, RS-232/422/485
- USB 2.0 x 1, USB 3.0 x 1, Type C x 1
- Supports MIPI Camera

Specifications

System	
Form Factor	Pico-ITX
CPU	Rockchip RK3399
CPU Frequency	ARM Dual-core Cortex™-A72 and Quad-core Cortex™-A53 (up to 1.8 GHz)
Chipset	Rockchip RK3399
Memory Type	LPDDR3 2 GB
Max. Memory Capacity	16 GB eMMC and Micro SD card
Operation System	Android 7.0
BIOS	—
Wake On LAN	—
Watchdog Timer	Integrated
Power Requirement	+12V DC input, (Optional 7.4V battery)
Power Supply Type	AT
Power Consumption (Typical)	0.6A@12V, full load, Hexa core
System Cooling	Fanless
Dimension	3.94" x 2.84" (100mm x 72mm)
Gross Weight	0.88 lb (0.4 kg)
Operating Temperature	32°F ~ 140°F (0°C ~ 60°C)
Storage Temperature	-40°F ~ 176°F (-40°C ~ 80°C)
Operating Humidity	0% ~ 90% relative humidity, non-condensing
MTBF (Hours)	80,000
Certification	CE/FCC
Display	
Chipset	—
Resolution	HDMI (2.0) up to 4k x 2k @60Hz, eDP up to 4k x 2k @60Hz
LCD Interface	eDP
I/O	
Storage/SSD	16GB eMMC and Micro SD card
Ethernet	GbE x 1
USB Port	USB Type C x 1, USB 2.0 x 1, USB 3.0 x 1
Serial Port	RS-232/422/485 x 1, RS-232 Pin header x 1
Audio	2.5W (by 4Ω) Speaker/ Microphone/ Earphone
Expansion Slot	Full-size mini-PCIe slot x 1 (For 3G/4G card)
SIM slot	Nano-SIM
USB	USB 2.0 x 1 Pin header
TPM	—
Touch	I2C/USB interface
DIO	8-bit (4-in, 4-out)



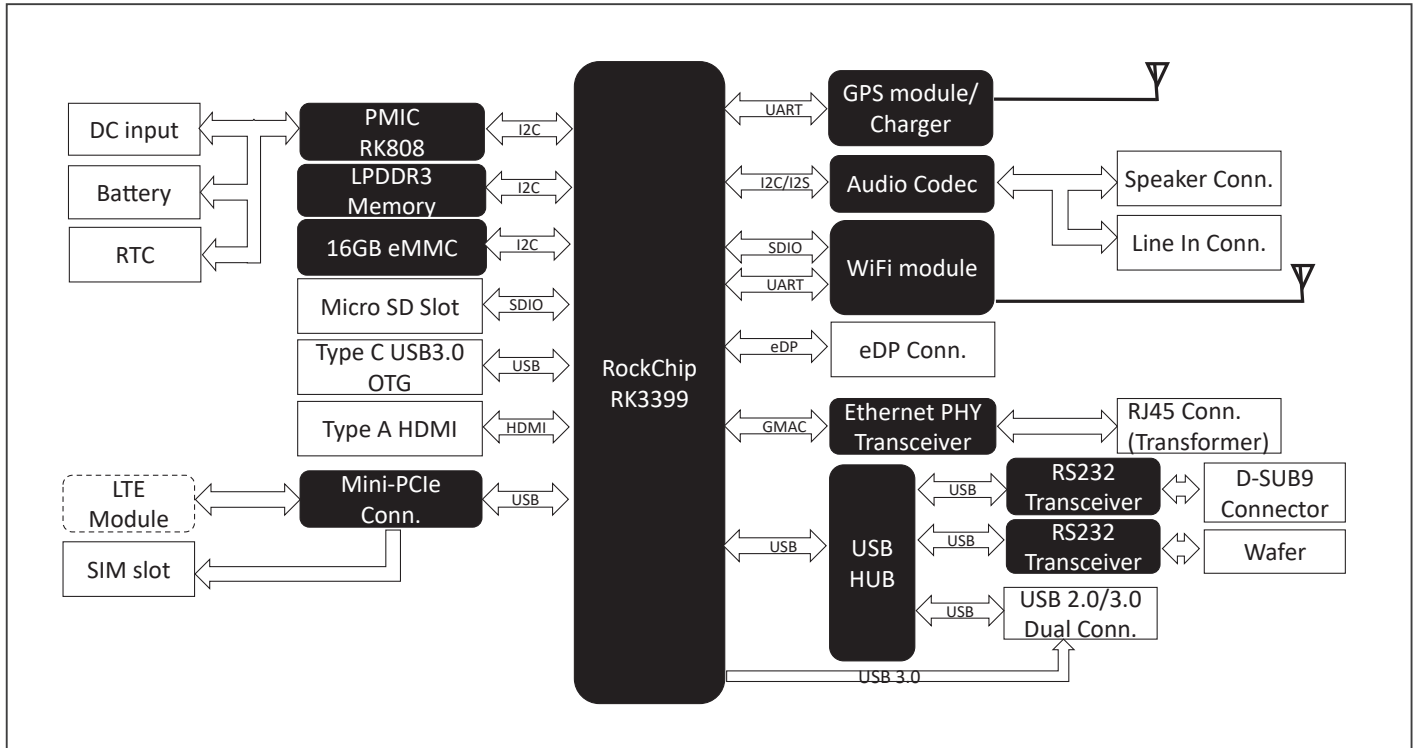
Packing List

- MB Power Cable
- RTC Battery
- RICO-3399

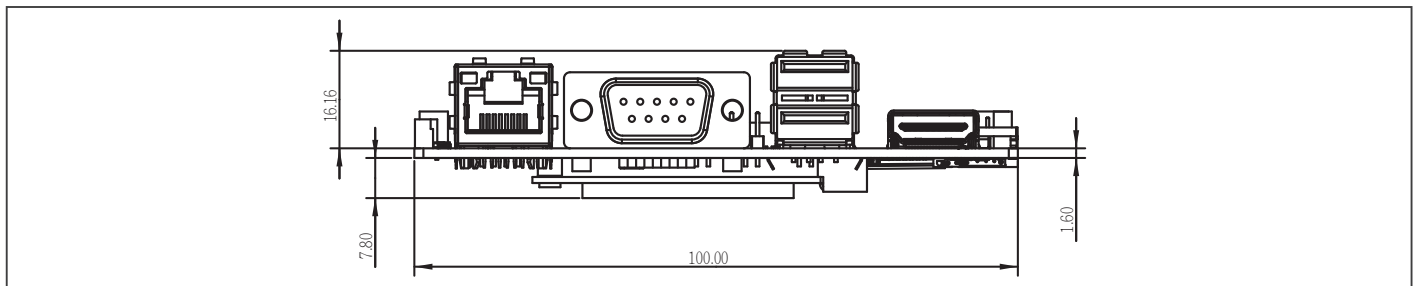
Optional Accessories

Part Number	Description	Qty.
1700050207	USB Cable, Length 20cm	1
1701090150	COM Cable, Length 15cm	1
1255300607	12V 60W Power Adapter	1
9697T41703-S	NFC Board	1
9697T47700-D	GPS & Battery Charger Board	1

Block Diagram Unit: mm



Dimension Unit: mm



Ordering Information

Part Number	CPU	RAM	Storage	Giga LAN	RS-232/422/485	USB	HDMI	WiFi & BT	LTE slot	Optional Battery	Optional GPS	Optional CAN BUS	Optional RS-232
RICO-3399-A10-0000	ARM Dual Cortex-A72 + Quad Cortex-A53	2GB LPDDR3	16GB eMMC	1	1	2	1	—	—	—	—	—	—
RICO-3399-A10-0001	ARM Dual Cortex-A72 + Quad Cortex-A53	2GB LPDDR3	16GB eMMC	1	1	2	1	802.11a & BT4.0	Supports 3G/4G Card	Supports 7.4V Battery	Yes	—	—