

Datasheet

ServerDOM-V

3IE3 series

- Bootable and compatible with all OS
- Better reliability and MTBF than HDD
- Small dimension for Blade or 1U servers
- Compatible with Intel® RSTe
- Cost effective storage solution
- Customizable for IPMI
- Unexpected power loss protection



Introduction

Innodisk ServerDOM is dedicated to the further of server design. By using ServerDOM as a boot drive, there is more space for the hot-swappable data storage devices.

Innodisk ServerDOM supports SATA III standard (6.0Gb/s) interface with excellent performance. Besides, the booting time for operation and the power consumption is less than hard disk drive (HDD), and can work under harsh environment compile with ATA protocol, no additional drives are required, and the SSD can be configured as a boot device or data storage device.

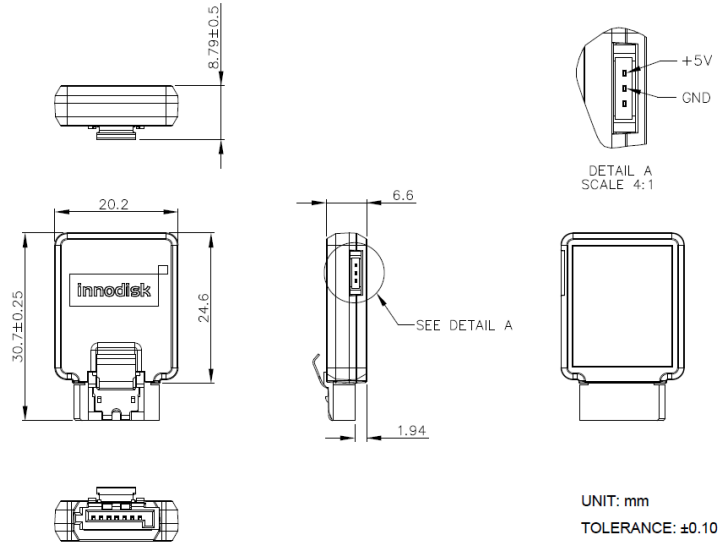
ServerDOM-V

3IE3 series

Drawing

Contact us for more information about the ServerDOM-V 3IE3

Innodisk is a service-driven provider of industrial embedded flash and DRAM storage products and technologies, with a focus on the industrial/embedded, aerospace and defense, and cloud computing industries.



Specifications

Interface	SATA III 6Gb/s
Flash Type	iSLC
Capacity (GB)	16, 32, 64
Max. Channels	4
Sequential R/W (MB/sec, Max.)	440/260
Voltage	+5V ±10%
Max. Power Consumption	2.3W
ATA Security	Supported
S.M.A.R.T.	Supported
Dimension	20.2 X 30.7 X 8.7 mm
Environmental Specifications	Standard grade: 0°C ~ +70°C Industrial grade: -40°C ~ +85°C
Environment	Vibration: 20G @7~2000Hz Shock: 1500G @ 0.5ms Storage Temperature: -55°C ~ +95°C MTBF: 3 million hours
OS Support	Windows series, Linux

Headquarters (Taiwan)

5F, No.237, Sec. 1, Datong Rd.,
Xizhi Dist., New Taipei City,
Taiwan (R.O.C.)
Tel: +886-2-77033000
Email: sales@innodisk.com

Branch Offices:

USA
usasales@innodisk.com
+1-510-770-9421
Europe
eusales@innodisk.com
+31-40-282-1818
Japan
jpsales@innodisk.com
+81-3-6667-0161
China
sales_cn@innodisk.com
+86-755-21673689

www.innodisk.com

© 2016 Innodisk Corporation.
All right reserved. Specifications
are subject to change without
prior notice.

20161125

Ordering Information

Operation Temp.	16GB	32GB	64GB
Standard Grade (0°C ~ +70°C)	DHSNV- 16GD08BCADC	DHSNV- 32GD08BCAQC	DHSNV- 64GD08BCAQC
Industrial Grade (-40°C ~ +85°C)	DHSNV- 16GD08BWADC	DHSNV- 32GD08BWAQC	DHSNV- 64GD08BWAQC

innodisk

www.innodisk.com