

Datasheet

# mSATA mini 3ME3 series

- SATA 6Gb/s interface
- iSMART disk health monitoring
- Intelligent error recovery system
- Excellent data transfer speed
- Zero mechanical interference
- Anti-vibration mechanical design
- JEDEC standard MO-300 dimension



## Introduction

Innodisk mSATA mini 3ME3 is designed with mSATA mini form factor by MO-300/MO-300B which established by JEDEC, and support SATA III standard (6.0Gb/s) with excellent performance. Regarding of mechanical interference, Innodisk mSATA mini 3ME3 absolutely replaces the traditional hard disk and makes personal computer, in any field, smaller and easier.

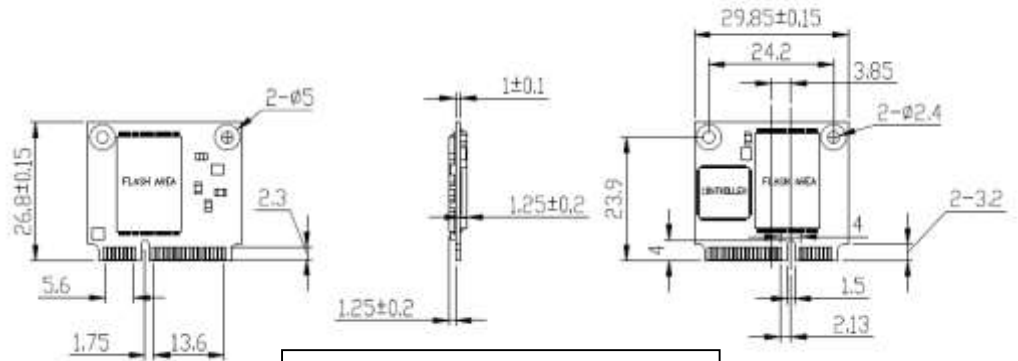
Innodisk mSATA mini 3ME3 effectively reduces the booting time of operation system and the power consumption is less than hard disk drive (HDD), and complies with ATA protocol, no additional drives are required, and can be configured as a boot device or data storage device.

# mSATA mini 3ME3 series

Contact us for more information  
about the mSATA mini 3ME3.

Innodisk is a service-driven provider of industrial embedded flash storage products and technologies, with a focus on the cloud computing, industrial/embedded, and aerospace and defense industries.

## Diagram



General tolerance: 0.15mm

## Specifications

### Headquarters (Taiwan)

5F., No. 237, Sec. 1, Datong Rd.,  
Xizhi Dist., New Taipei City 221,  
Taiwan (R.O.C.)  
Tel: +886-2-77033000  
Email: sales@Innodisk.com

### Branch Offices:

USA  
[usasales@Innodisk.com](mailto:usasales@Innodisk.com)  
+1-510-770-9421  
Europe  
[eusales@Innodisk.com](mailto:eusales@Innodisk.com)  
+31-(0)40-282-1818  
Japan  
[jpsales@Innodisk.com](mailto:jpsales@Innodisk.com)  
+81-45-594-7581  
China  
[sales\\_cn@Innodisk.com](mailto:sales_cn@Innodisk.com)  
+86-755-21673689  
[www.Innodisk.com](http://www.Innodisk.com)

© 2015 Innodisk Corporation.  
All right reserved. Specifications  
are subject to change without  
prior notice.

Interface	SATA III
Flash Type	MLC
Capacity	8GB~128GB
Max. Channels	2
Sequential R/W (MB/sec, max.)	200 / 80
Max. Power Consumption	0.5 W (3.3V x 150 mA )
Thermal Sensor	WT as default, ST by option
External DRAM buffer	-
Trim	√
ATA Security	√
S.M.A.R.T.	√
Dimension (WxLxH)	29.8 X 26.8 X 3.5 mm
Environment	Vibration: 20G @7~2000Hz Shock: 1500G @ 0.5ms Storage Temperature: -55°C ~ +95°C MTBF: 3 million hours

20150707

## Ordering Information

Operation Temp.	08GB	16GB	32GB	64GB	128GB
Standard Grade (0°C ~ +70°C)	DEMSM-08GD09SC1SC	DEMSM-16GD09SC1DC	DEMSM-32GD09SC1DC	DEMSM-64GD09SC1DC	DEMSM-A28D09SCADC
Industrial Grade (-40°C ~ +85°C)	DEMSM-08GD09SW1SC	DEMSM-16GD09SW1DC	DEMSM-32GD09SW1DC	DEMSM-64GD09SW1DC	DEMSM-A28D09SWADC

**innodisk**

[www.Innodisk.com](http://www.Innodisk.com)