

Datasheet

# 2.5" SATA SSD

## 3SR-P series

- Compliant with MIL-STD-810-F/G
- Data security (QEraser/ SEraser/ Destroy/ Write Protect)
- High random R/W performance
- iSMART disk health monitoring
- Intelligent error recovery system
- Enhanced power cycling management
- iCell technology for data protection
- Conformal coating (optional)



### Introduction

Innodisk 2.5" SATA SSD 3SR-P is a SATA III 6Gb/s Flash based disk, which delivers excellent performance and reliability. Especially, it comes with several data security functions, including QEraser/ SEraser/ Destroy and also Write Protect. All the security functions can be triggered both by hardware and software approaches. 2.5" SATA SSD 3SR-P is compliant with MIL-STD-810F/G standards. The SSD is equipped ruggedized hardware design and thus it can perform well in the harsh environment. 2.5" SATA SSD 3SR-P is developed with Innodisk owned technical knowhow to ensure the data integrity and highest levels of reliability.

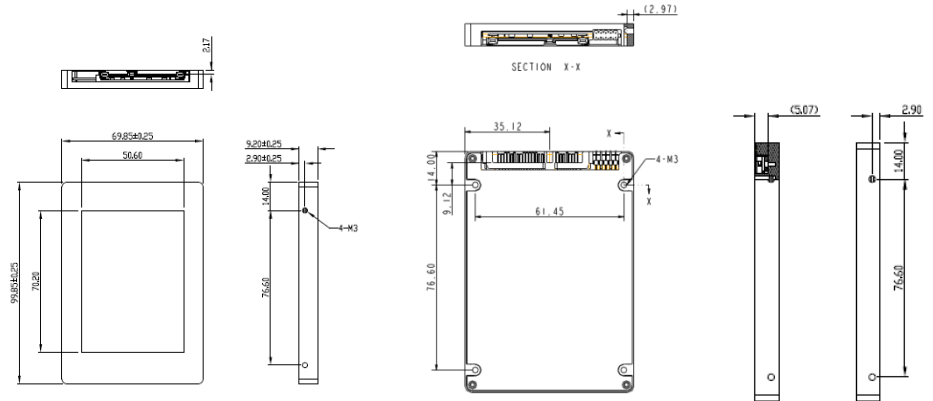
# 2.5" SATA SSD

## 3SR-P series

### Drawing

Contact us for more information about the 2.5" SATA SSD 3SR-P

Innodisk is a service-driven provider of industrial embedded flash and DRAM storage products and technologies, with a focus on the industrial/embedded, aerospace and defense, and cloud computing industries.



## Specifications

Interface	SATA III
Flash Type	SLC
Capacity	8GB~256GB
Max. Channels	4
Sequential R/W (MB/sec, max.)	490 / 340
Max. Power Consumption	3.25 W (5V x 650 mA)
Thermal Sensor	√
External DRAM Buffer	√
H/W Write Protect	√
Pin7 Power	-
ATA Security	√
S.M.A.R.T.	√
Dimension (WxLxH)	69.8 X 99.8 X 9.2 mm
Environment	Vibration: 20G @7~2000Hz Shock: 1500G @ 0.5ms Storage Temperature: -55°C ~ +95°C MTBF: 3 million hours

### Headquarters (Taiwan)

5F., No.237, Sec. 1, Datong Rd.,  
Xizhi Dist., New Taipei City,  
Taiwan (R.O.C.)  
Tel: +886-2-77033000  
Email: sales@innodisk.com

### Branch Offices:

USA  
[usasales@innodisk.com](mailto:usasales@innodisk.com)  
+1-510-770-9421  
Europe  
[eusales@innodisk.com](mailto:eusales@innodisk.com)  
+31-040-282-1818  
Japan  
[jpsales@innodisk.com](mailto:jpsales@innodisk.com)  
+81-45-594-7581  
China  
[sales\\_cn@innodisk.com](mailto:sales_cn@innodisk.com)  
+86-755-21673689  
[www.innodisk.com](http://www.innodisk.com)

© 2014 Innodisk Corporation.  
All right reserved. Specifications  
are subject to change without  
prior notice.

20150716

## Ordering Information

Operation Temp.	8GB	16GB	32GB	64GB	128GB	256GB
Standard Grade (0°C ~ +70°C)	DRS25-08GD67SCBQB	DRS25-16GD67SCBQB	DRS25-32GD67SCBQB	DRS25-64GD67SCBQB	DRS25-A28D67SCBQB	DRS25-B56D67SCBQB
Industrial Grade (-40°C ~ +85°C)	DRS25-08GD67SWBQB	DRS25-16GD67SWBQB	DRS25-32GD67SWBQB	DRS25-64GD67SWBQB	DRS25-A28D67SWBQB	DRS25-B56D67SWBQB

**innodisk**

[www.innodisk.com](http://www.innodisk.com)