

ASSEMBLY INSTRUCTION

BH-7048B

MADISON 48" BACKLESS BENCH

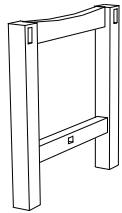


fig 1.

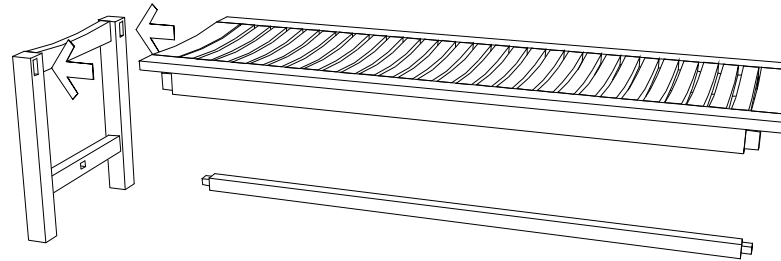


fig 2.

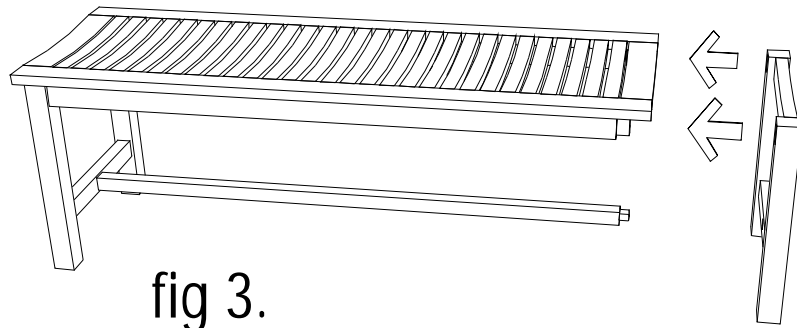


fig 3.

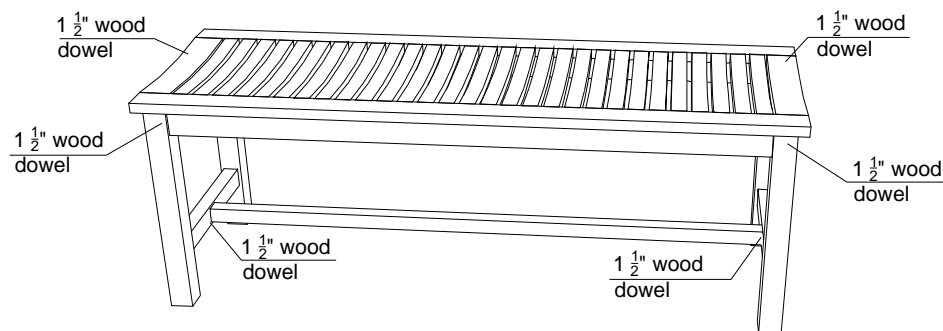


fig 4.

Parts : 2 pcs legs, 1 pc seat,
1 pcs leg's support

Hardware packs

- wood dowels for front & back of legs and leg's support

Tools requirment :

- hammer (not supplied)

Assembling

1. Prepare a leg. (Fig. 1)
2. Put some glue into the leg's mortise
3. Insert the seat and leg's support to the leg. (Fig. 2)
4. Insert the other leg. (Fig. 3)
5. Put some glue around the wood dowels and insert it into the front legs and back side of the back support.
6. Clean the glue rest using a damp cloth.