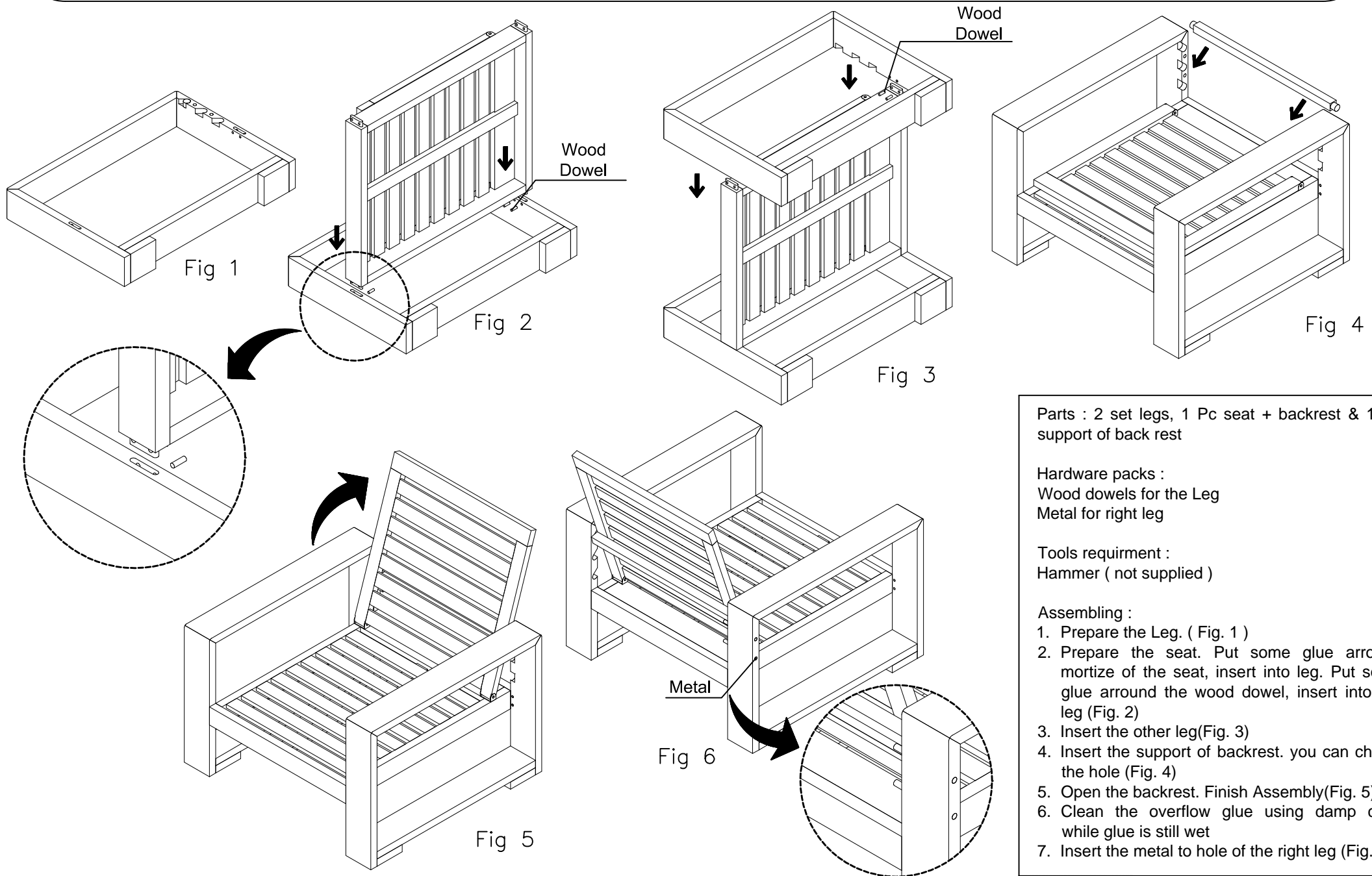


ASSEMBLY INSTRUCTION

DS-801

CAPISTRANO DEEP SEATING ARM CHAIR



Parts : 2 set legs, 1 Pc seat + backrest & 1 Pc support of back rest

Hardware packs :
Wood dowels for the Leg
Metal for right leg

Tools requirement :
Hammer (not supplied)

Assembling :

1. Prepare the Leg. (Fig. 1)
2. Prepare the seat. Put some glue around mortise of the seat, insert into leg. Put some glue around the wood dowel, insert into the leg (Fig. 2)
3. Insert the other leg(Fig. 3)
4. Insert the support of backrest. you can choice the hole (Fig. 4)
5. Open the backrest. Finish Assembly(Fig. 5)
6. Clean the overflow glue using damp cloth while glue is still wet
7. Insert the metal to hole of the right leg (Fig. 6)