

ASSEMBLY INSTRUCTION

BH-P150

NOTTINGHAM 3-SEATER BENCH



fig 1.

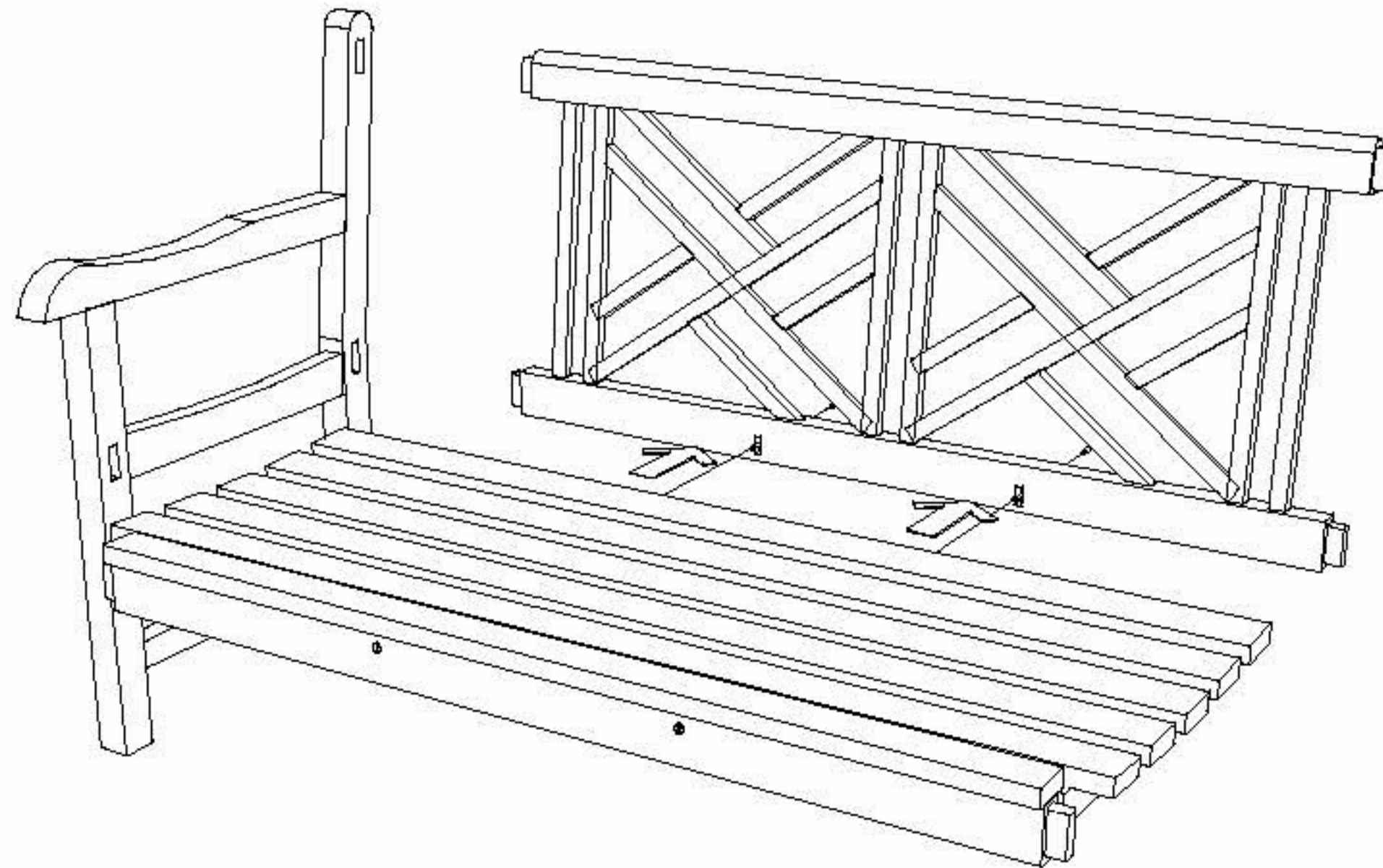


fig 2.

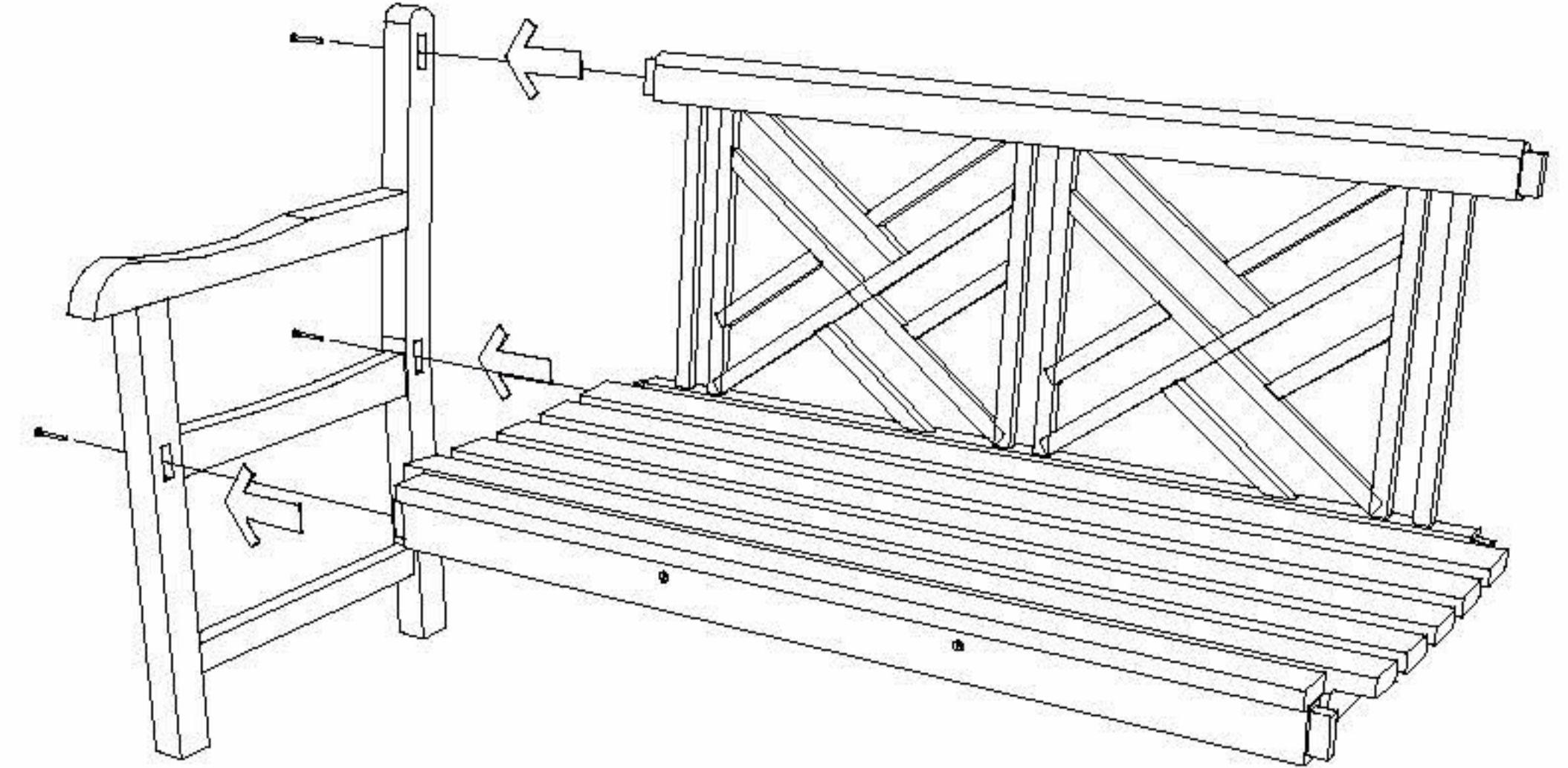


fig 3.

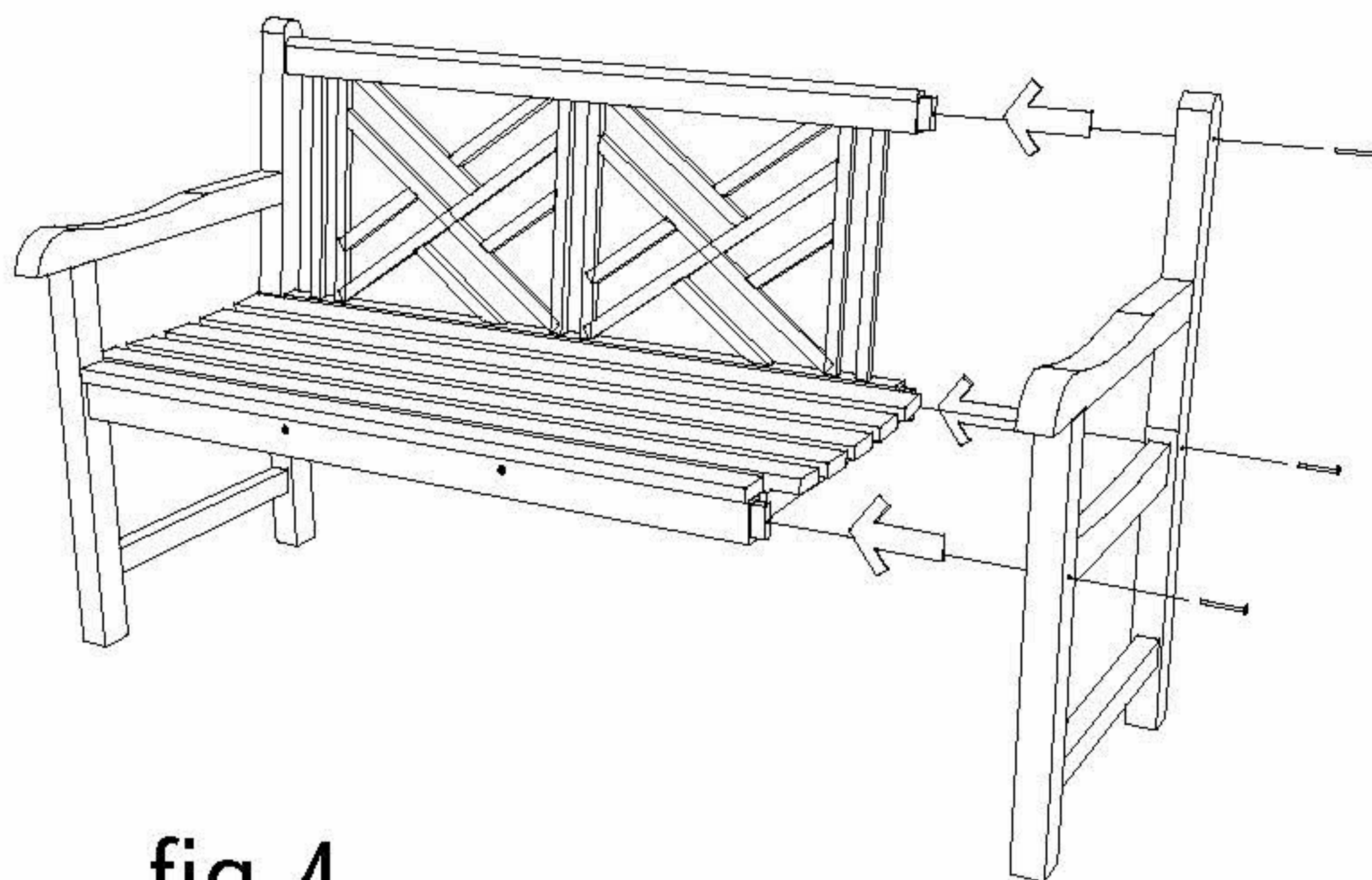


fig 4.

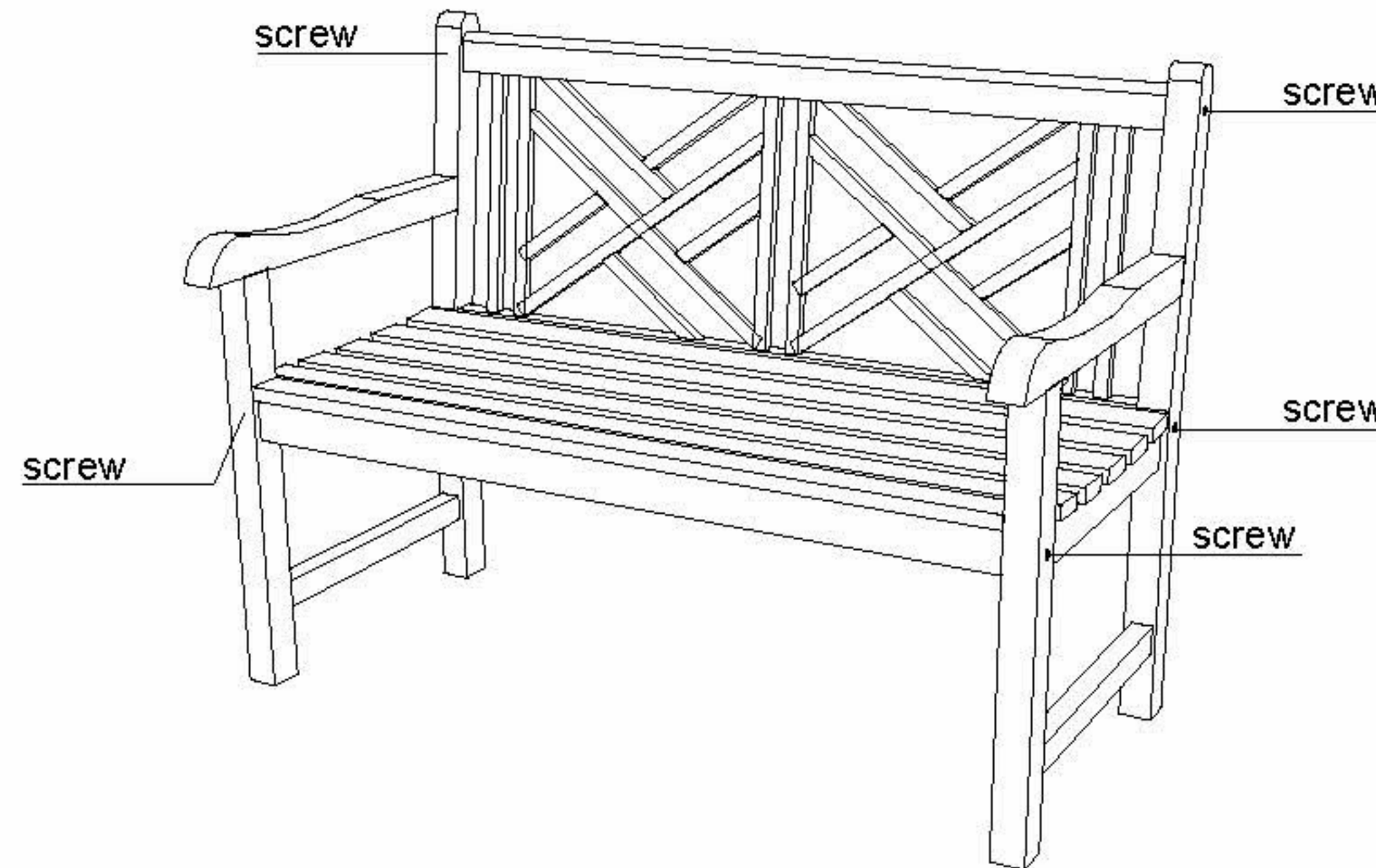


fig 5.

Parts : 2 pcs legs, 1 pc back support,
1 pc seat

Hardware packs

- screws for top & bottom of back support + front leg

Tools requirment

- screws driver (not supplied)

Assembling

1. Prepare a leg. (Fig. 1)
2. Put some glue into the leg's mortise
3. Insert the seat into back support of the bench.
(Fig. 2)
4. Insert to the leg. (Fig. 3)
5. Insert the other leg. (Fig. 4)
6. Insert screw into the hole beside the legs
7. Thighten screw using screw driver.