

ASSEMBLY INSTRUCTION

BAHAMA 22" SQUARE SIDE TABLE 2-TIER

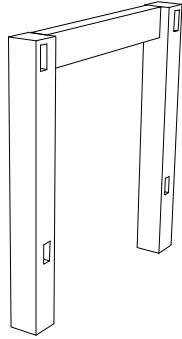


fig 1.

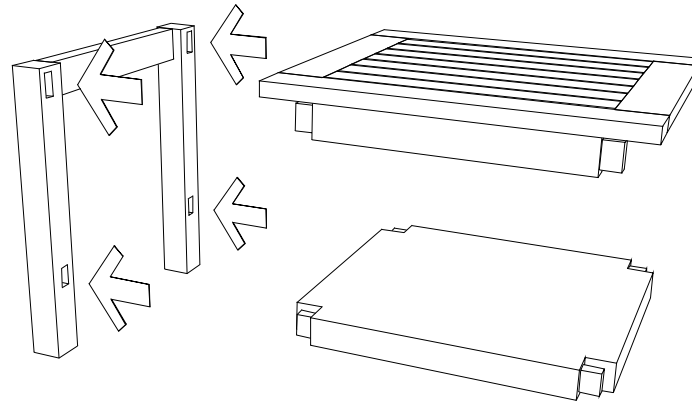


fig 2.

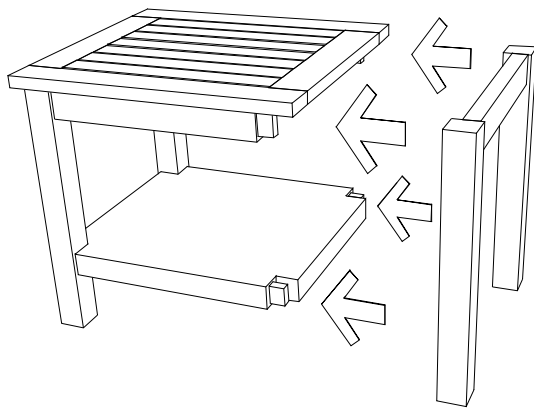


fig 3.

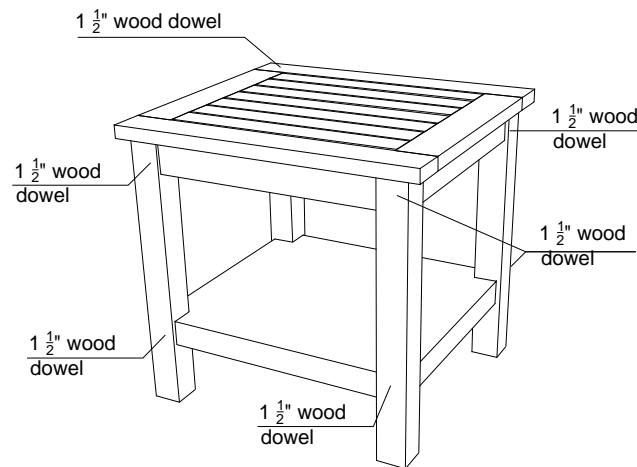


fig 4.

Parts : 2 pcs legs, 1 pc top table,
1 pcs shelf

Hardware packs

- wood dowels for front & back of legs

Tools requirement :

- hammer (not supplied)

Assembling

1. Prepare a leg. (Fig. 1)
2. Put some glue into the leg's mortise
3. Insert the top table and shelf to the leg. (Fig. 2)
4. Insert the other leg. (Fig. 3)
5. Put some glue around the wood dowels and insert it into the front and back side of legs.
6. Clean the glue rest using a damp cloth.