

ASSEMBLY INSTRUCTION

NEW MONTEGO BAR CHAIR

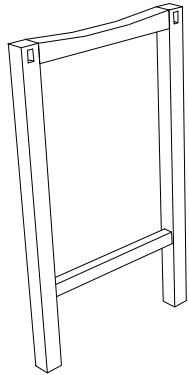


fig 1.

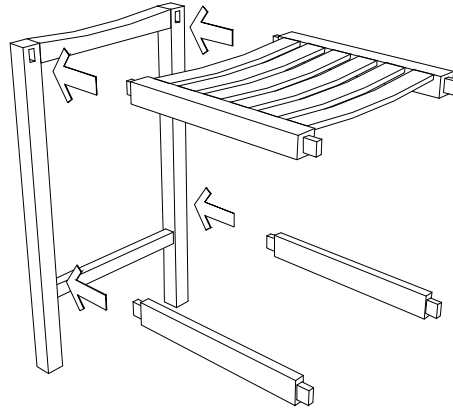


fig 2.

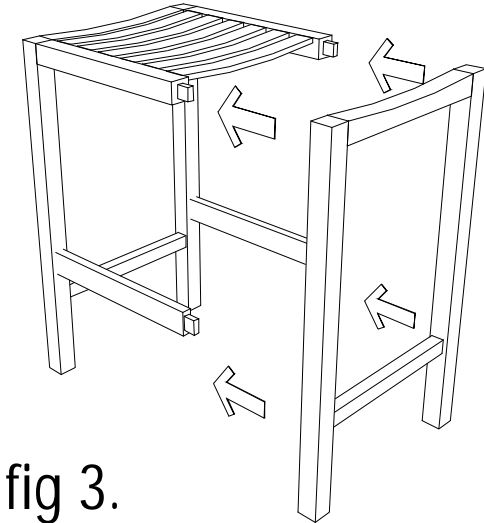


fig 3.

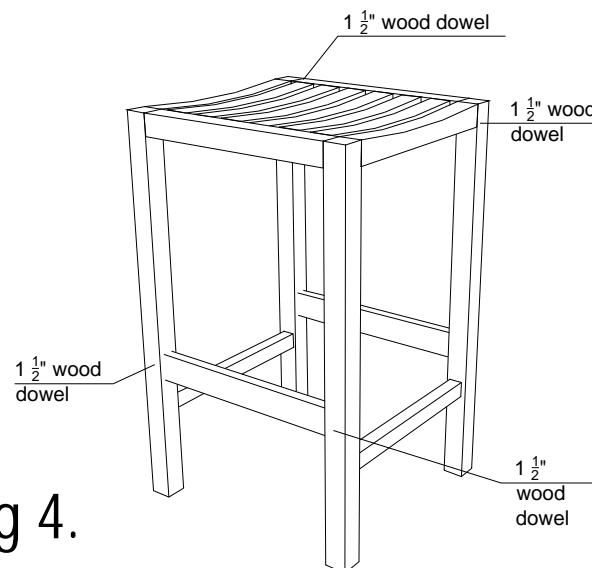


fig 4.

Parts : 2 pcs legs, 2 pcs leg's supports,
1 pc seat

Hardware packs

- wood dowels for top & bottom of legs

Tools requirment

- hammer (not supplied)

Assembling

1. Prepare a leg. (Fig. 1)
2. Put some glue into the leg's mortise
3. Insert the seat, leg's support to the leg. (Fig. 2)
4. Insert the other leg. (Fig. 3)
5. Put some glue around the wood dowels and insert it into the front legs and back side of the seat
6. Clean the glue rest using a damp cloth.