

# ASSEMBLY INSTRUCTION

CHD-P150

NOTTINGHAM DINING ARMCHAIR

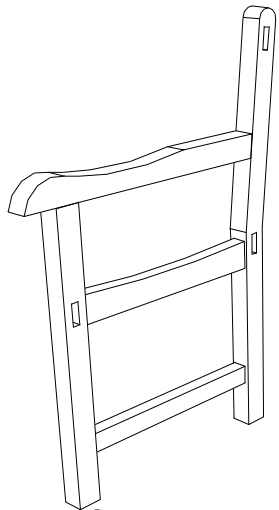


fig 1.

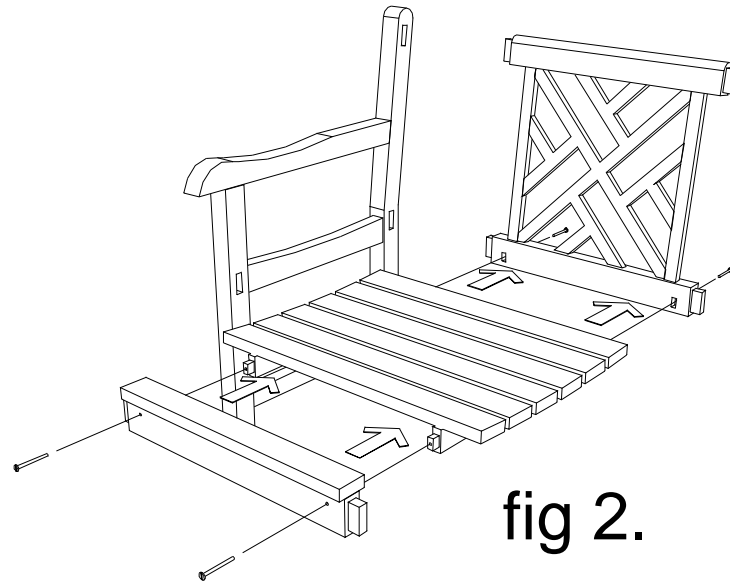


fig 2.

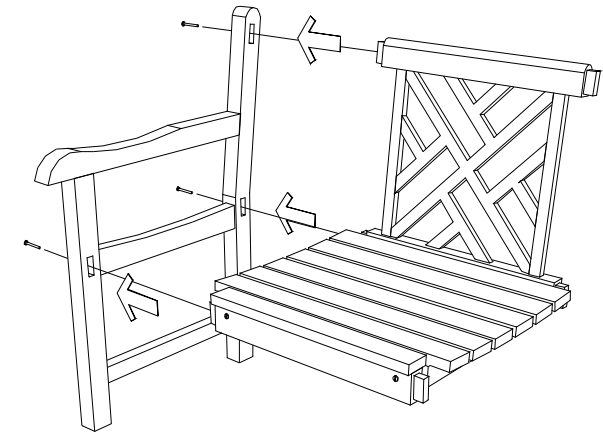


fig 3.

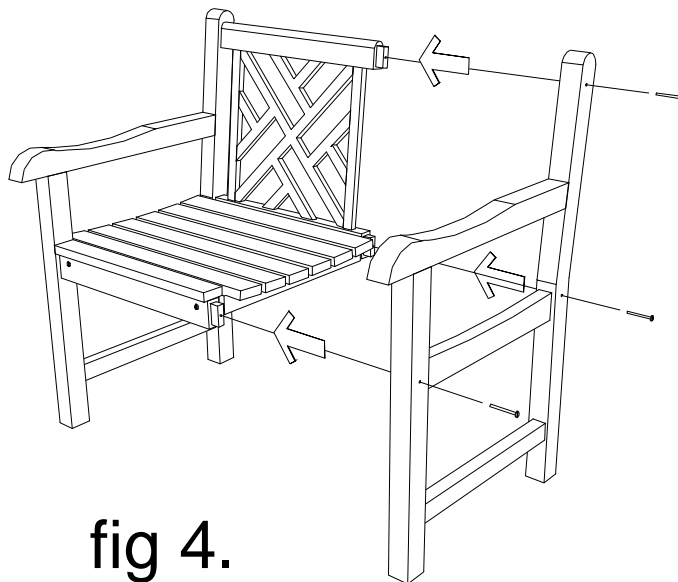


fig 4.

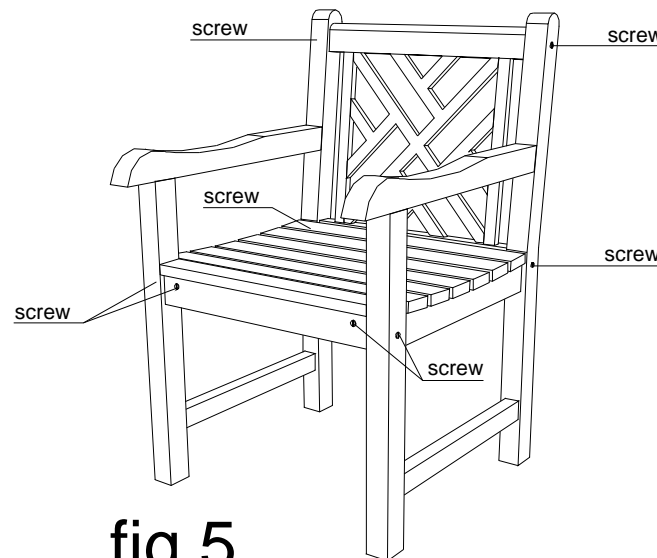


fig 5.

Parts : 2 psc legs, 1 pc back support,  
1 pc seat, 1 pc front part of seat

Hardware packs

- screws for top & bottom of back support + front leg

Tools requirement

- screws driver ( not supplied )

Assembling

1. Prepare a leg. ( Fig. 1 )
2. Put some glue into the leg's mortise
3. Insert the seat, front part of the seat, back support. ( Fig. 2 )
4. Insert to the leg. ( Fig. 3 )
5. Insert the other leg. ( Fig. 4 )
6. Insert screw into the hole beside the legs
7. Thighthen screw using screw driver.