

# ASSEMBLY INSTRUCTION

TB-4147 ST

ATLANTA SERVING TABLE

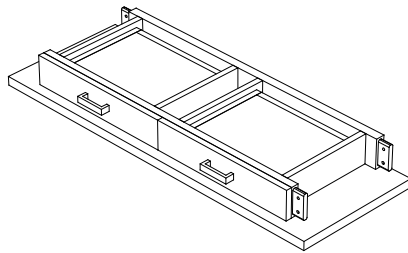


Fig 1

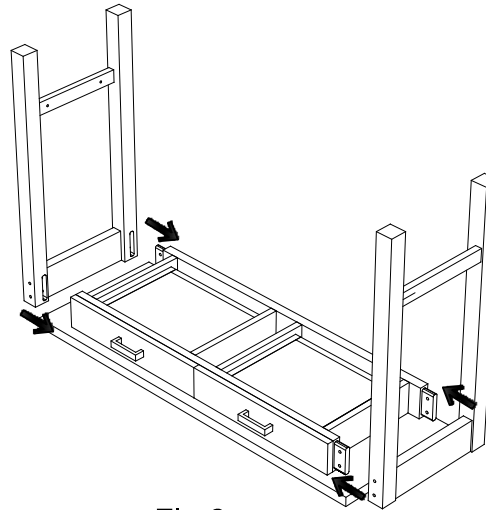


Fig 2

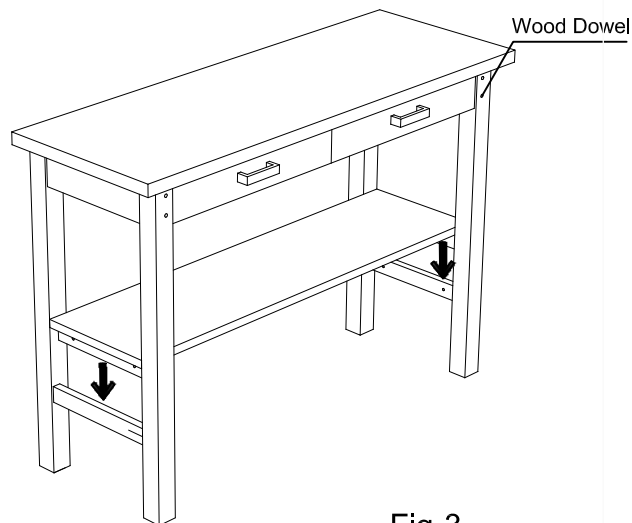


Fig 3

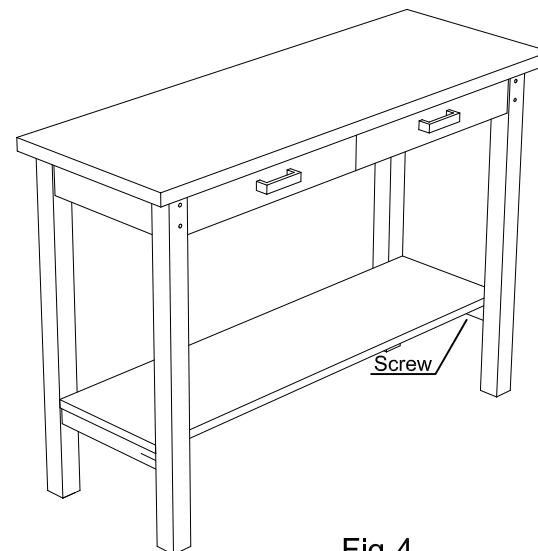


Fig 4

Parts : 1 pc top with 2 drawers, 1 pc left leg, 1 pc right leg, 1 pc shelf

Hardware packs :  
Wood dowels for left and right leg  
screw for shelf support

Tools requirement :  
Hammer and Screw driver (not supplied)

Assembling :

1. Prepare the top with 2 drawers (Fig. 1)
2. Put some glue into the left & right leg mortise.
3. Insert the left & right leg. (Fig. 2)
4. Put The shelf in the both of leg (Fig. 3)
5. Put some glue around the wood dowels and insert it into the left & right leg (Fig. 3)
6. Put the screw to the shelf support with screw driver (Fig. 4)
7. Finish assembly
8. Clean the overflow glue using damp cloth while glue is still wet.