

ASSEMBLY INSTRUCTION

DS-3026

AMALFI SIDE TABLE

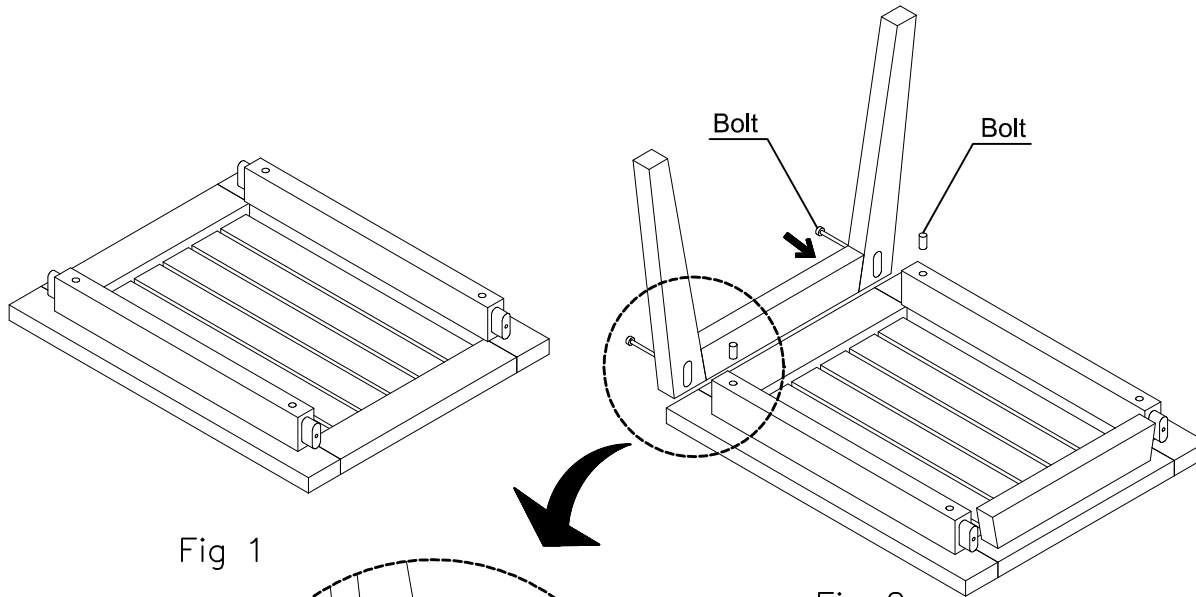


Fig 1

Fig 2

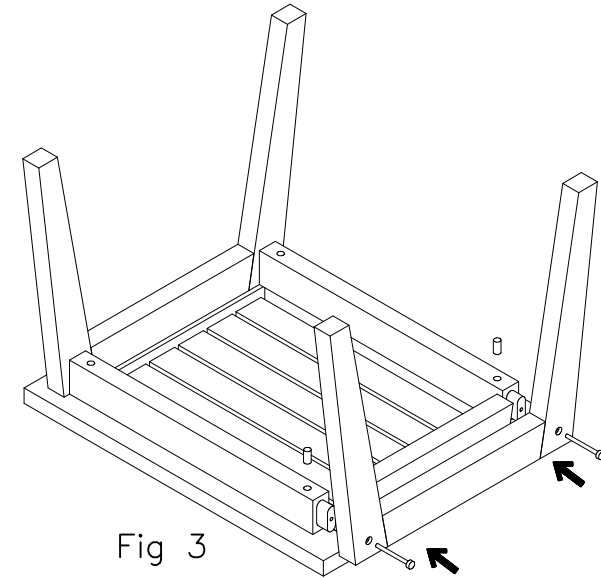
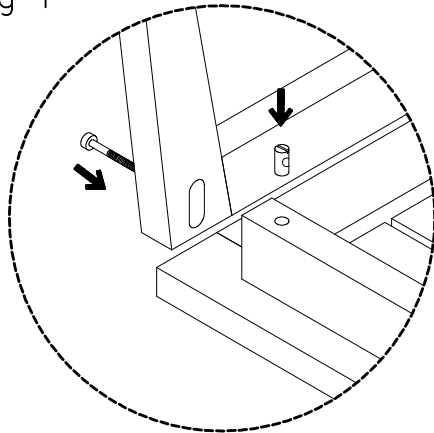


Fig 3

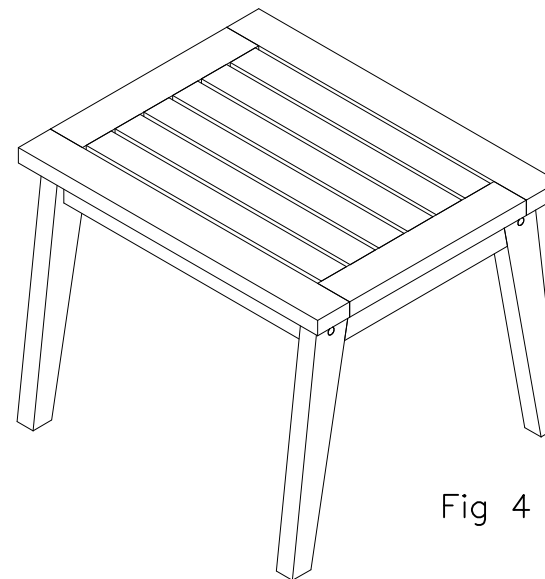


Fig 4

Parts : 2 set legs, 1 Pc Top

Hardware packs :
Hammer Bolt for the Leg

Tools requirment :
Screw Driver (not supplied)

Assembling :

1. Prepare the Top (Fig. 1)
2. Prepare the leg. Insert the leg into apron of Top. insert the bolt into leg from side and insert the bolt (hammer) to apron of top from above. use screw driver to do it.(Fig. 2)
3. Insert the other leg(Fig. 3)
4. Finish Assembly(Fig. 4)