

# ASSEMBLY INSTRUCTION

TB-039BT

## BAHAMA 39" ROUND BAR TABLE

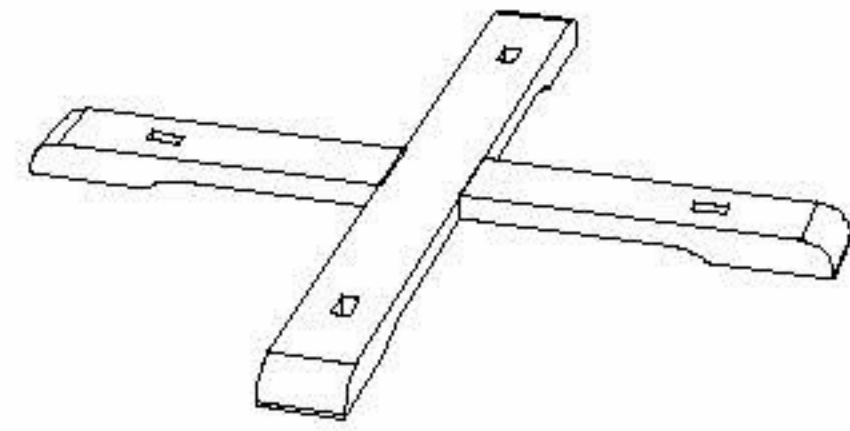


fig 1.

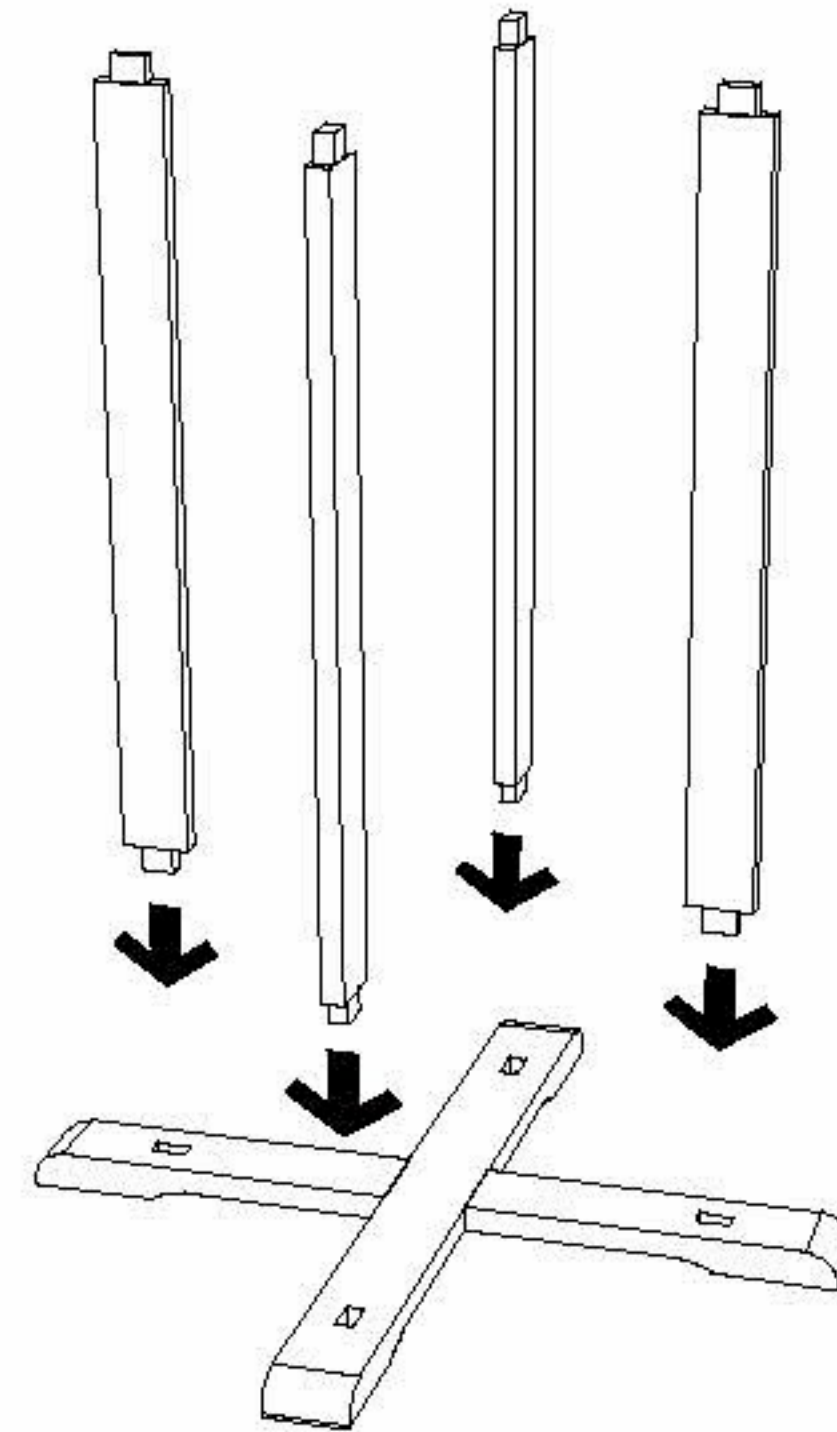


fig 2.

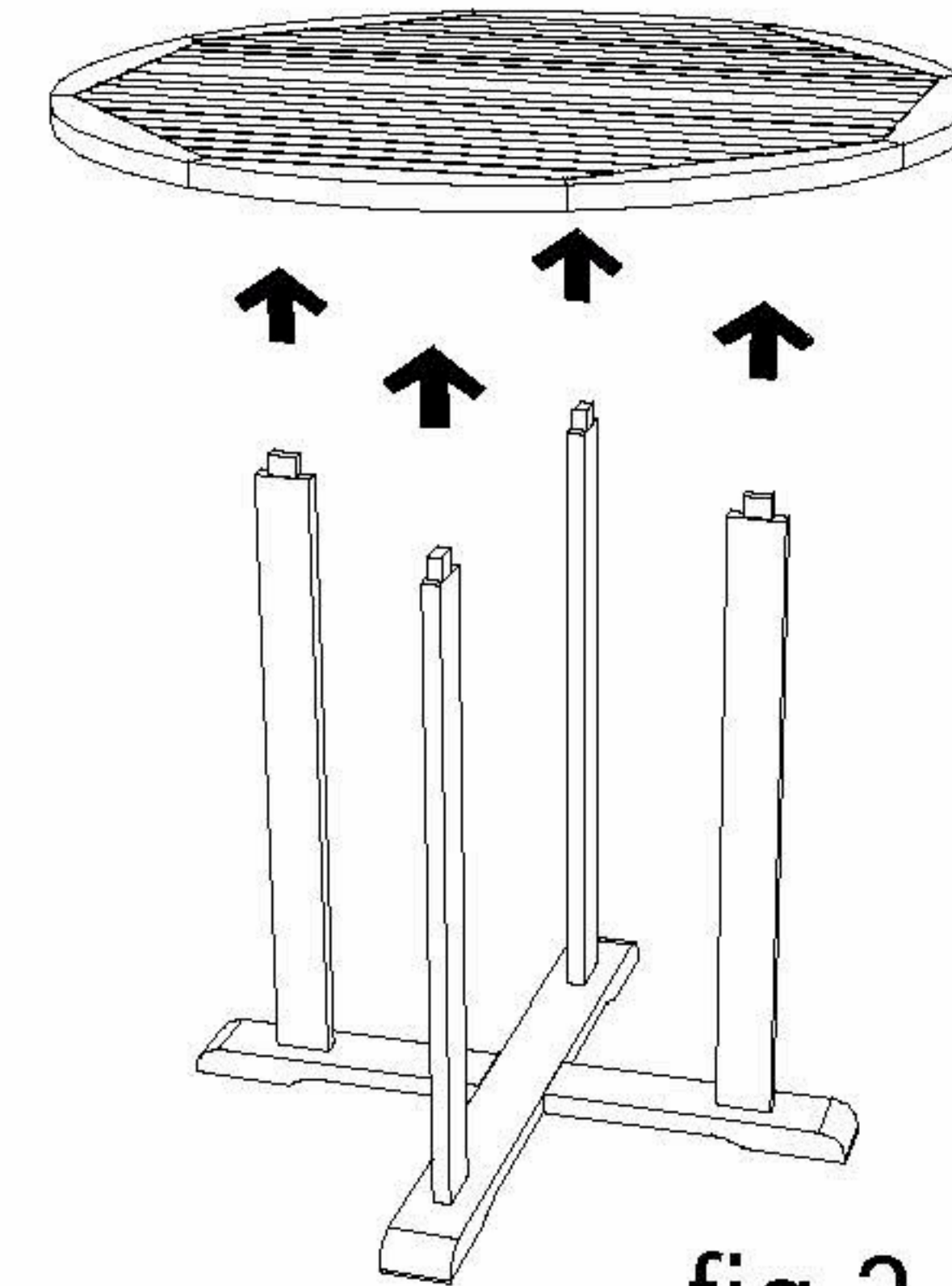


fig 3.

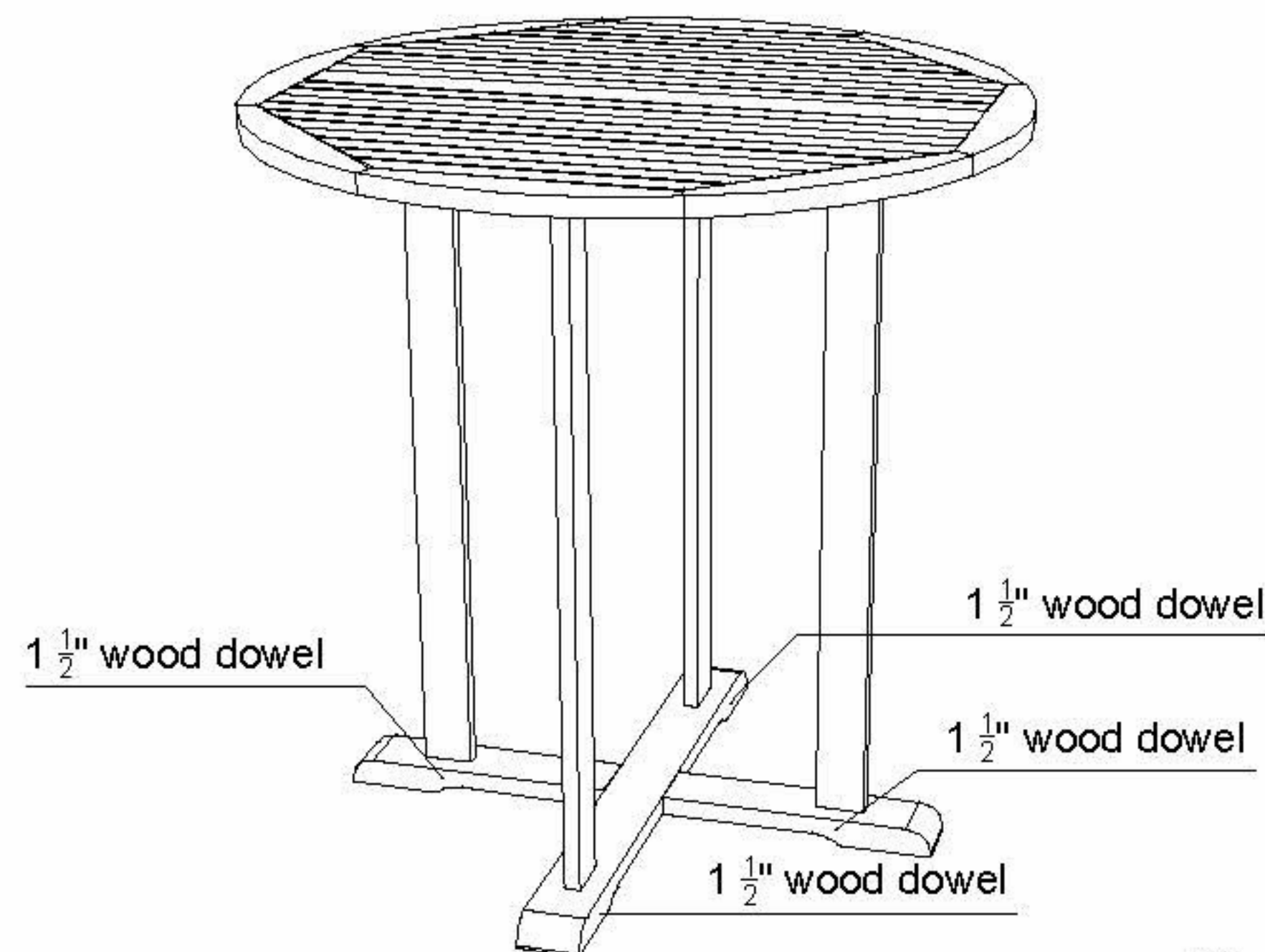


fig 4.

Parts : 4 pcs legs, 1 pc top table  
1 pc bottom leg

Hardware packs

- wood dowels for top & bottom of legs

Tools Requirement:

- hammer ( not supplied )

Assembling

1. Prepare the bottom leg. ( Fig. 1 )
2. Put some glue into the leg's mortises.
3. Insert the legs. ( Fig 2 )
4. Insert the legs into top table. ( Fig 3 )
5. Put some glue around the wood dowels and insert it into top and bottom of legs.
6. Clean the glue rest using a damp cloth.