

ASSEMBLY INSTRUCTION

TBX-106VD

SAHARA 106" OVAL DOUBLE EXTENSION TABLE

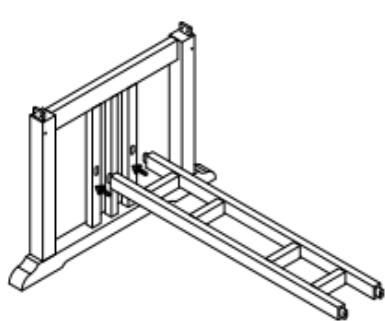


Fig 1

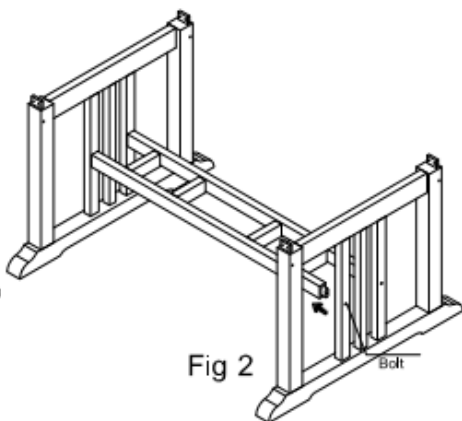


Fig 2

Bolt

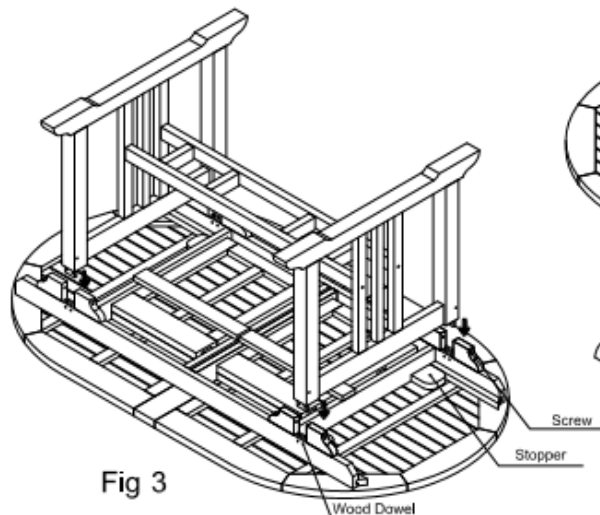


Fig 3

Wood Dowel

Screw

Stopper

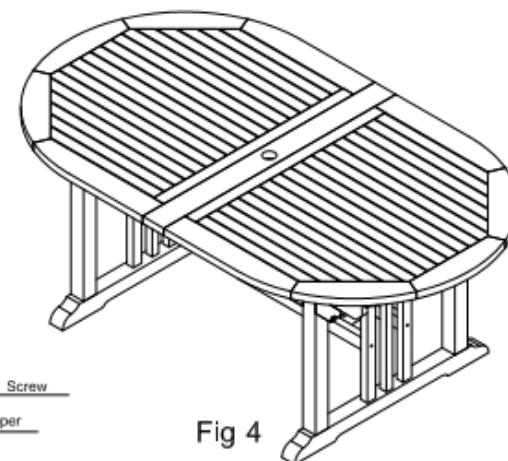


Fig 4

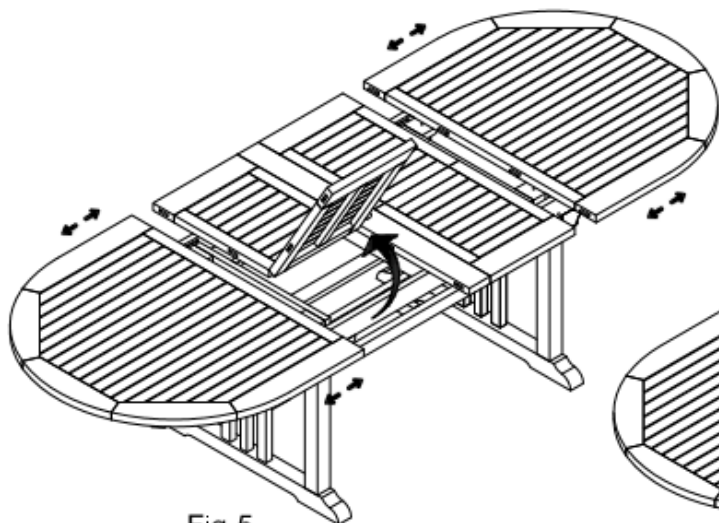


Fig 5

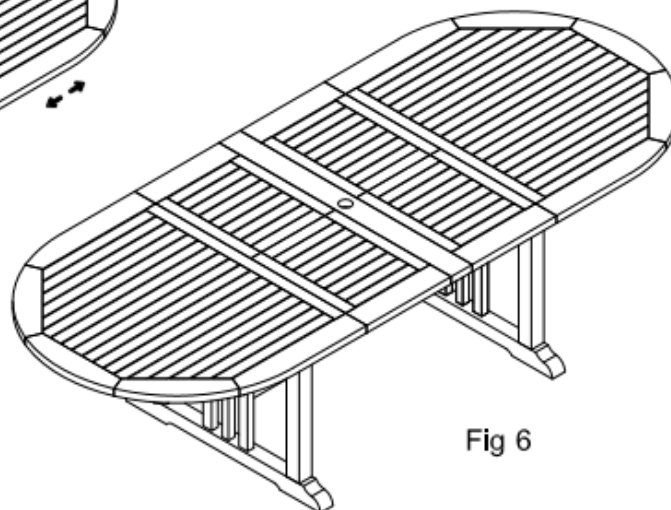


Fig 6

Parts : 2 Pcs Leg, 1 Pc Top & 1 Pc Bottom Support

Hardware packs :
Wood dowels for Leg, Screw for Leg, Bolt for Bottom Support

Tools requirement :
Hammer & Screw Driver (not supplied)

Assembling :

1. Prepare leg, insert the bottom support, insert the bolt into hole of leg (Fig. 1)
2. Insert the other leg, insert the bolt into hole of leg (Fig. 2)
3. Put some glue into leg mortise, Insert the connection of leg and bottom support into hole of top. Put some glue around the wood dowels and insert into hole of leg. Insert the screw into hole beside of leg (Fig. 3)
4. Finish Assembly. Clean the overflow glue using damp cloth while glue is still wet (Fig. 4)
5. Pull off the side top, open the extension top (Fig. 5)
6. Finish Assembly (Fig. 6)