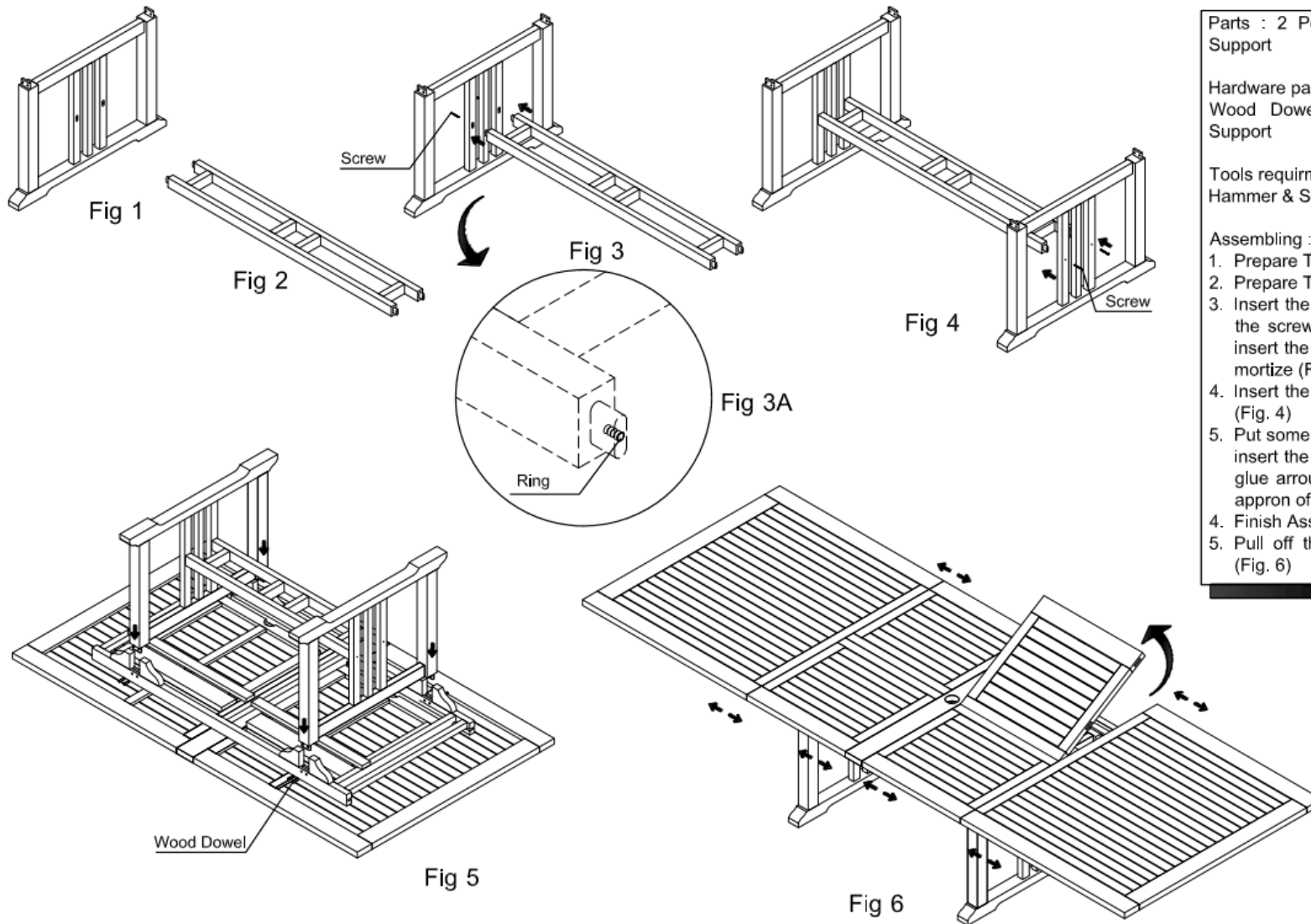


# ASSEMBLY INSTRUCTION

## SAHARA 126" RECTANGULAR DOUBLE EXTENSION TABLE

TBX-126RD



Parts : 2 Pcs Leg, 1 Pc Top & 1 Pc Bottom Support

Hardware packs :  
Wood Dowels for Legs & Screw for Bottom Support

Tools requirement :  
Hammer & Screw Driver ( not supplied )

Assembling :

1. Prepare The Leg (Fig. 1)
2. Prepare The Bottom Support (Fig. 2)
3. Insert the bottom of support into the leg, insert the screw into hole of leg (Fig. 3). For install, insert the screw into ring of the bottom support mortize (Fig. 3A)
4. Insert the other leg, for install same with Fig. 3 (Fig. 4)
5. Put some glue around mortize of The Leg then insert the leg into apron of the top. Put some glue around the wood dowel and put into the apron of the top (Fig. 5)
4. Finish Assembly (Fig. 6)
5. Pull off the side top, open the extension top (Fig. 6)