

ASSEMBLY INSTRUCTION

TB-3590BT DESCANSO 35" ROUND BAR TABLE

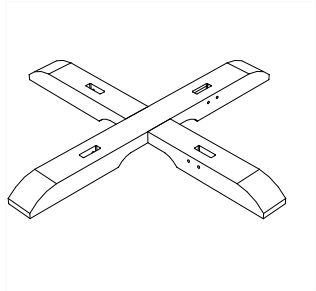


Fig 1

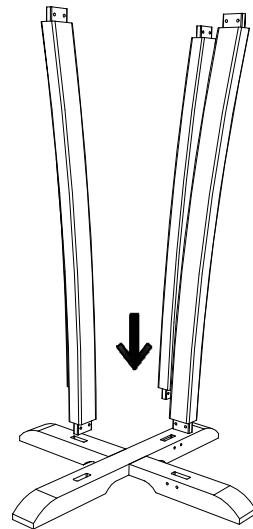


Fig 2

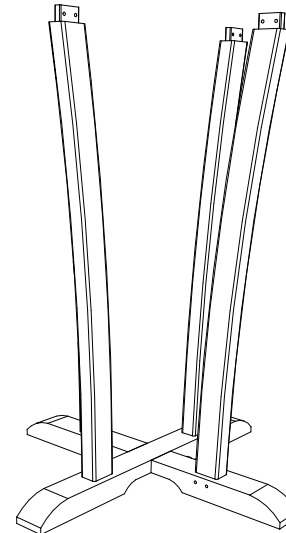


Fig 3

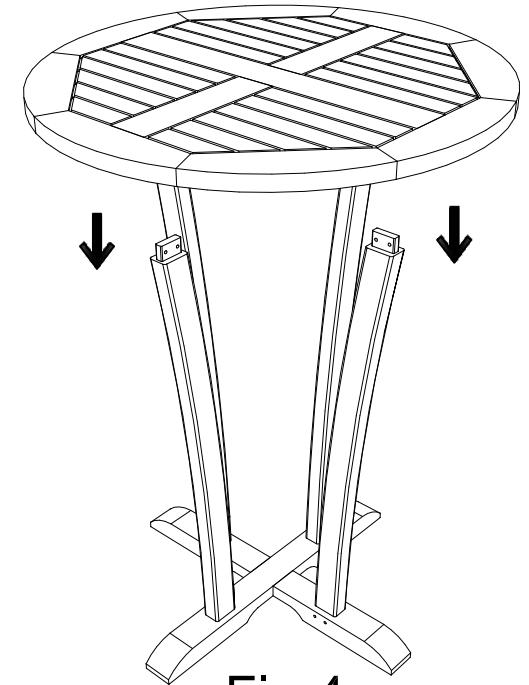


Fig 4

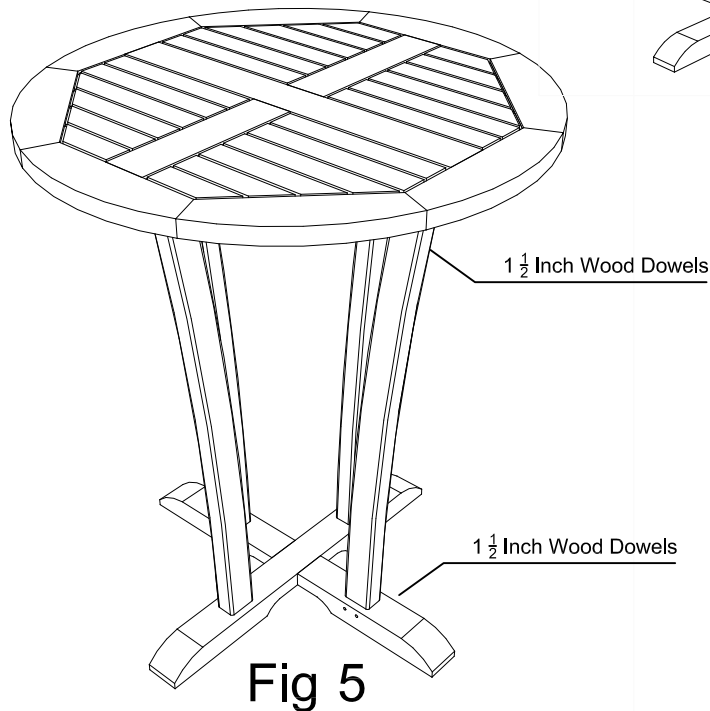


Fig 5

Parts : 4 pcs Legs, 1 pcs Table Top ,1 pcs Base Legs.

Hardware Packs :

* Wood dowels for Top and Base legs.

* Glue.

Tools Requirement :

Hammer (Not Supplied)

Assembling :

1. Prepare the Base leg (Fig. 1)
2. Put some glue into the legs mortises.
3. Insert the legs. (Fig. 2)
4. Insert the legs into to Table Top (Fig.4)
5. Put some glue around the wood dowels and insert it into Top and base of legs.
6. Clean the overflow glue using damp cloth while glue is still wet.