

# ASSEMBLY INSTRUCTION

TB-024SS

WINDSOR SIDE TABLE 2-TIER

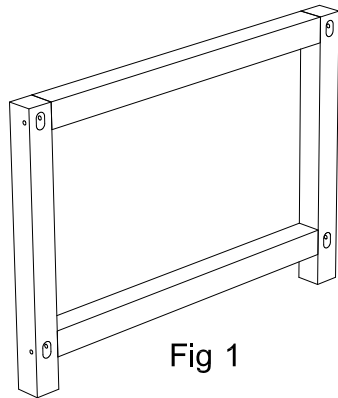


Fig 1

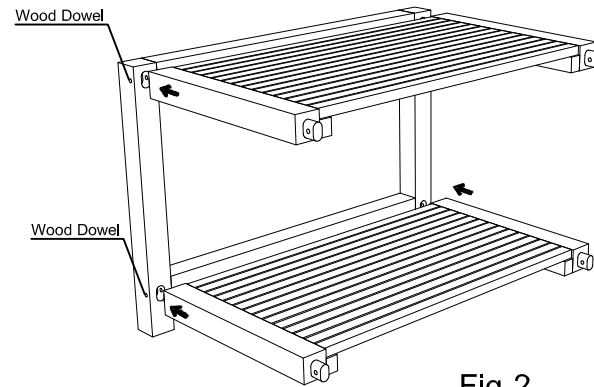


Fig 2

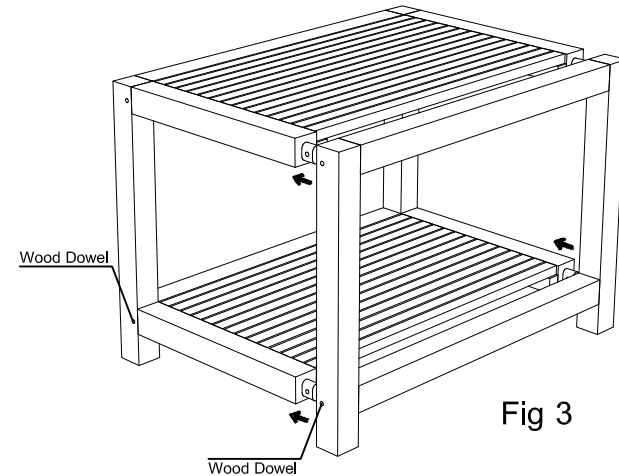


Fig 3

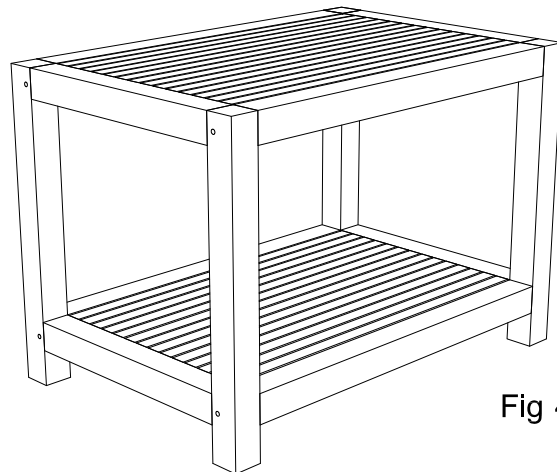


Fig 4

Parts : 2 Pcs Leg, 1 Pc Top & 1 Pc Shelve

Hardware packs :  
Wood dowels for Leg

Tools requirment :  
Hammer ( not supplied )

Assembling :

1. Prepare leg (Fig. 1)
2. Put some glue into Top and Shelve mortise, insert into hole of leg. Put some glue around the wood dowels and insert into hole of leg (Fig. 2)
3. Insert the other leg, Put some glue around the wood dowels and insert into hole of leg. (Fig. 3)
4. Finish Assembly (Fig. 4)
5. Clean the overflow glue using damp cloth while glue is still wet.