

ASSEMBLY INSTRUCTION

CHD-P092

REGENCY DINING CHAIR

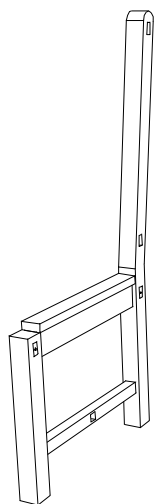


fig 1.

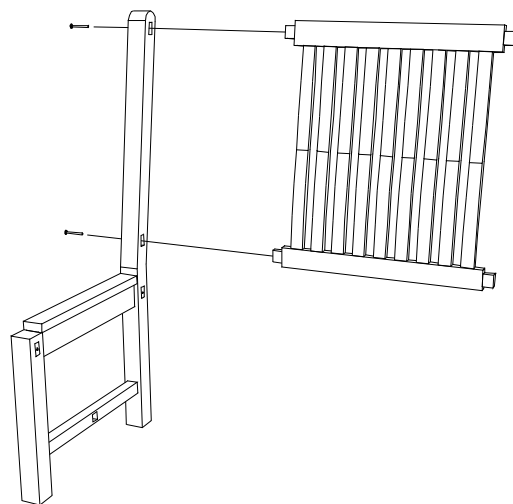


fig 2.

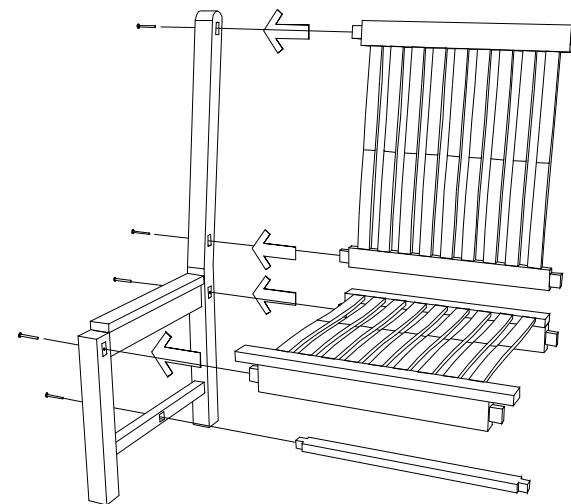


fig 3.

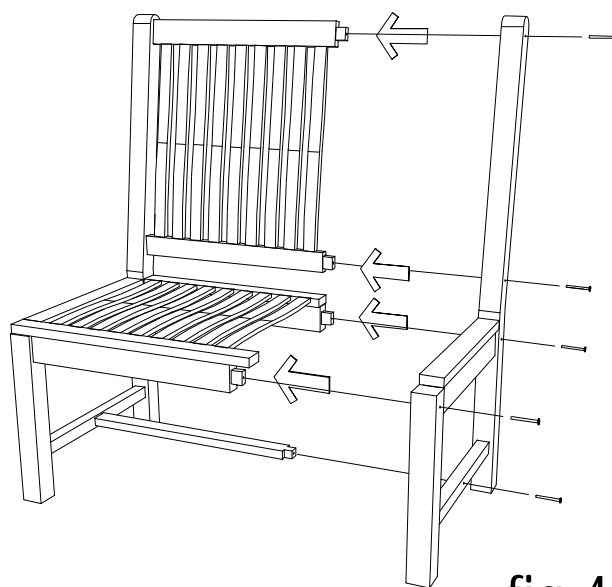


fig 4.

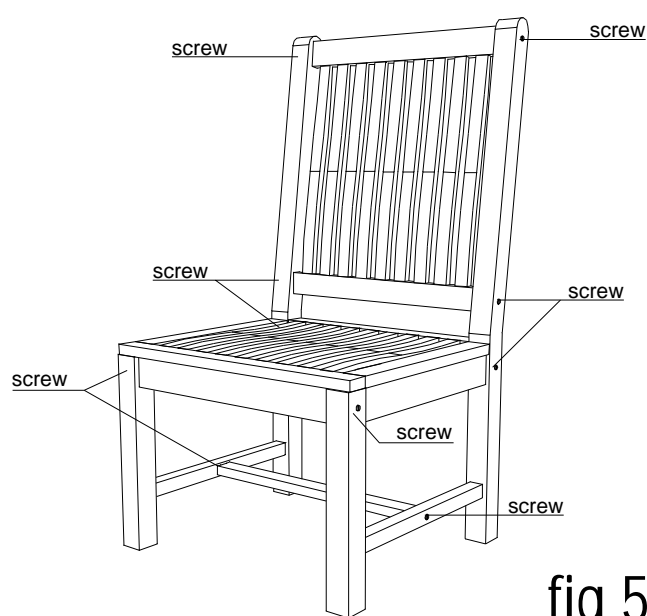


fig 5.

Parts : 2 pcs legs, 1 pc back support, 1 pc seat

Hardware packs

- screws for top & bottom of back support + front leg

Tools requirement

- screw driver (not supplied)

Assembling

1. Prepare a leg. (Fig. 1)
2. Put some glue into the leg's mortise
3. Insert the seat, back support. (Fig. 3)
4. Insert the other leg. (Fig. 4)
5. Insert screw into the hole beside the legs
6. Thighten screw using screw driver.