

ASSEMBLY INSTRUCTION

TB-020MS

20" MINI SIDE TABLE

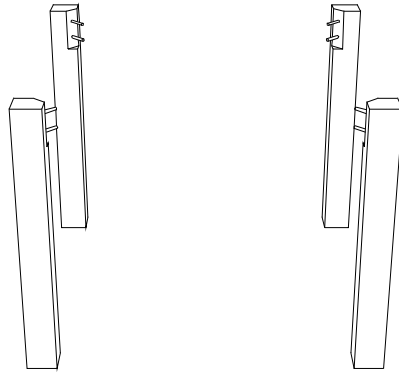


fig 1.

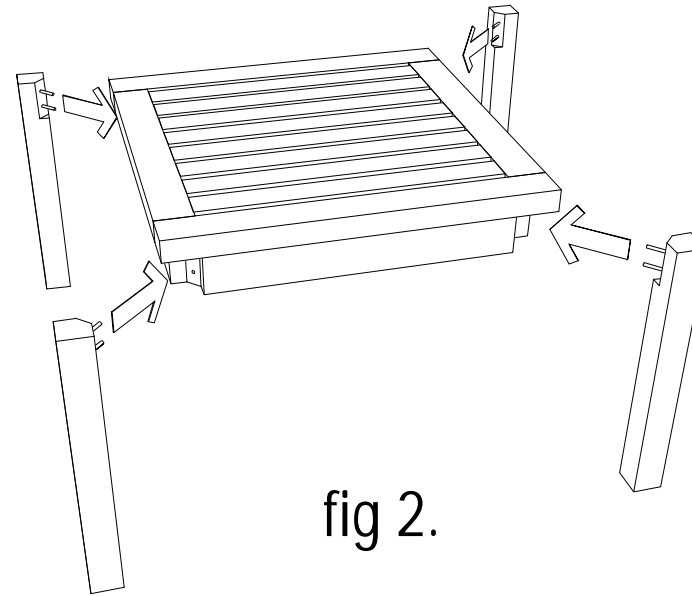


fig 2.

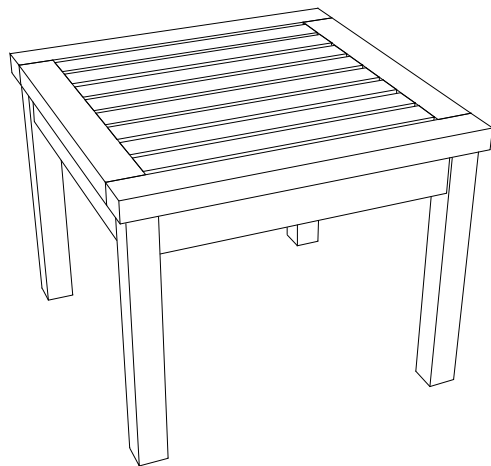


fig 3.

Parts : 4 pcs legs, 1 pc top table

Hardware packs

- bolt to clamp the table

Tools requirement

- bolt driver (not supplied)

Assembling

1. Prepare a leg. (Fig. 1)
2. Insert the legs into the table. (Fig. 2)
3. Tighten the bolt (under the table) of the legs.