

ASSEMBLY INSTRUCTION

TBX-894R

VALENCIA 8ft RECTANGULAR EXT TABLE

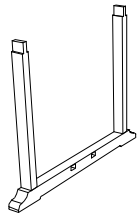


fig 1.

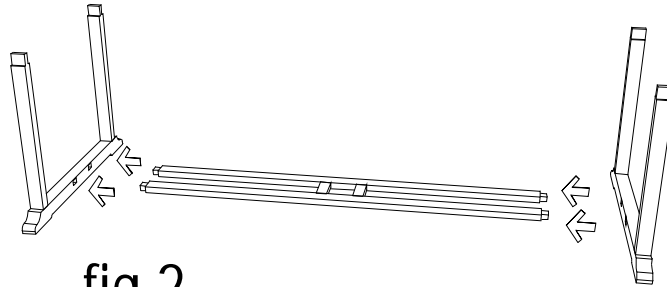


fig 2.

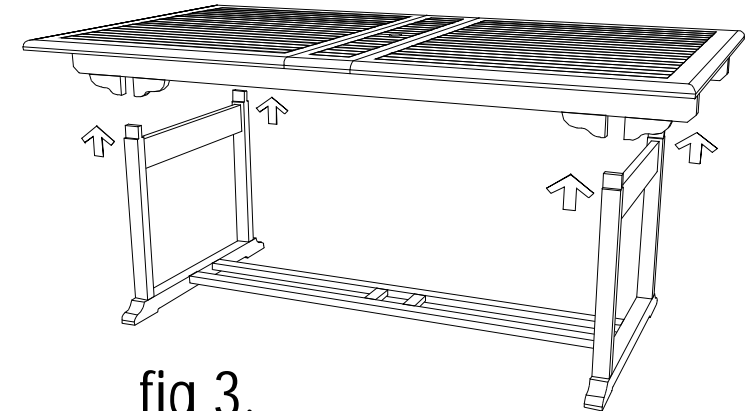


fig 3.

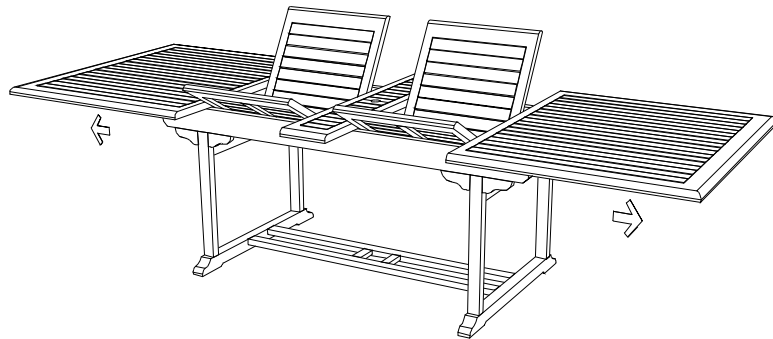


fig 4.

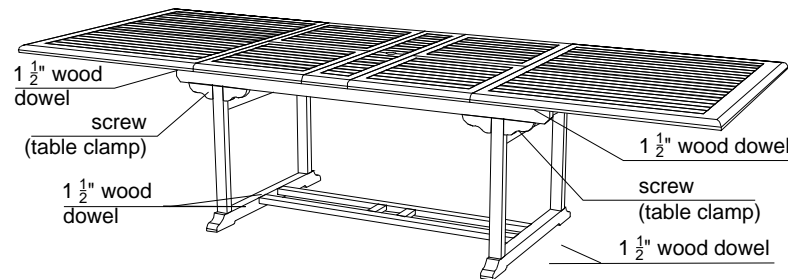


fig 5.

Parts : 2 psc legs, 1 pc legs support,
1 pc top of table

Hardware packs

- wood dowels for top of legs
- wood screws to clamp legs and the table

Tools requirement

- hammer (not supplied)
- screws driver (not supplied)

Assembling

1. Prepare a leg. (Fig. 1)
2. Put some glue into the leg's mortise
3. Insert the legs support and Insert the other leg. (Fig. 2)
4. Put some glue around the wood dowels and insert it into the legs and the leg support.
5. Insert leg's table into the top table (Fig. 3) and fasten the wood dowels to the front and back side of the table.
6. Screw the table clamp (under the table) to the legs.
7. Clean the glue rest using a damp cloth.