

# ASSEMBLY INSTRUCTION

CHD-0054

CLASSIC DINING ARM CHAIR

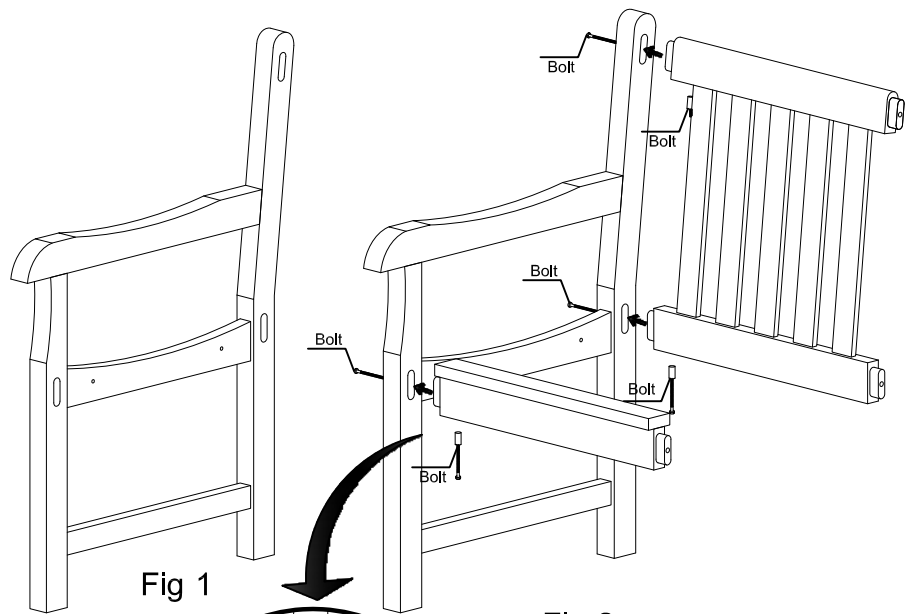


Fig 1

Fig 2

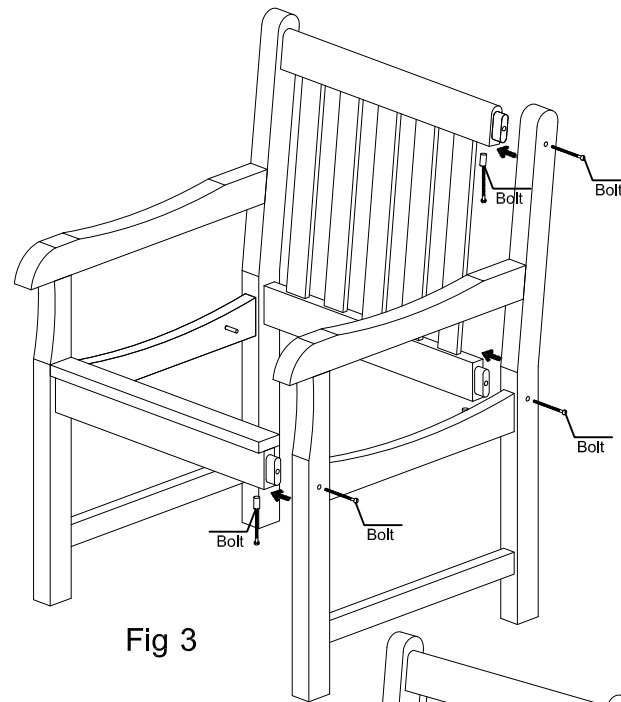


Fig 3

Fig 4

Fig 1.a

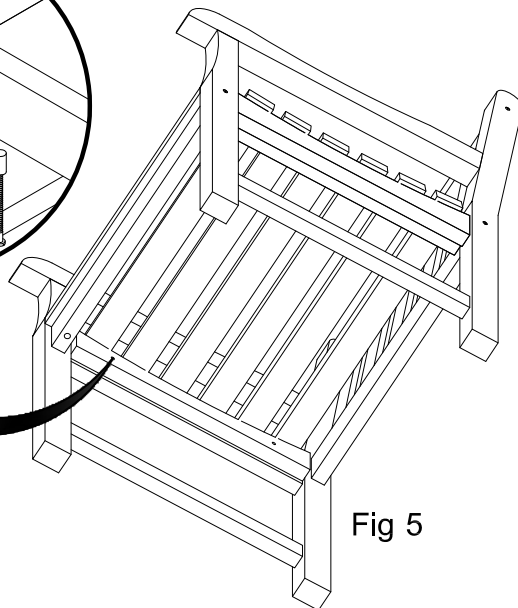
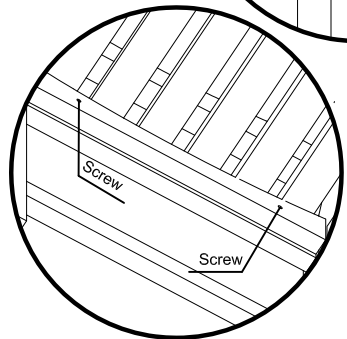
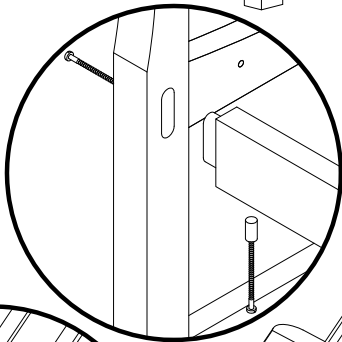


Fig 5

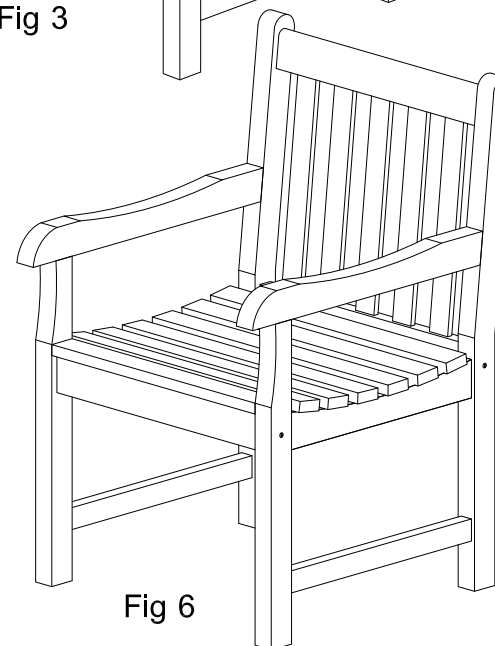


Fig 6

Parts : 2 Pcs Leg, 1 Pc Seat, 1 Pc Back Support  
& 1 Pc Apron Front Seat

Hardware packs :  
Bolt for Apron Front Seat and Back Support  
Screw for Seat

Tools requirement :  
Screw driver ( not supplied )

Assembling :

1. Prepare leg (Fig. 1)
2. Put apron front seat and back support mortise into hole, insert bolt into hole of leg, Put bolt from bottom (Fig. 2). For install the Bolt, see Fig. 1.a
3. Insert the other leg, insert bolt into hole of leg, Put bolt from bottom (Fig. 3)
4. Put the seat (Fig. 4)
5. Insert the screw into hole of side support of seat (Fig. 5)
6. Finish Assembly (Fig. 6)