

# ASSEMBLY INSTRUCTION

BH-P024B

MANHATTAN 1 SEATER BACKLESS CHAIR

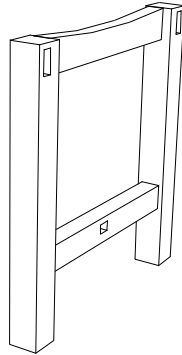


fig 1.

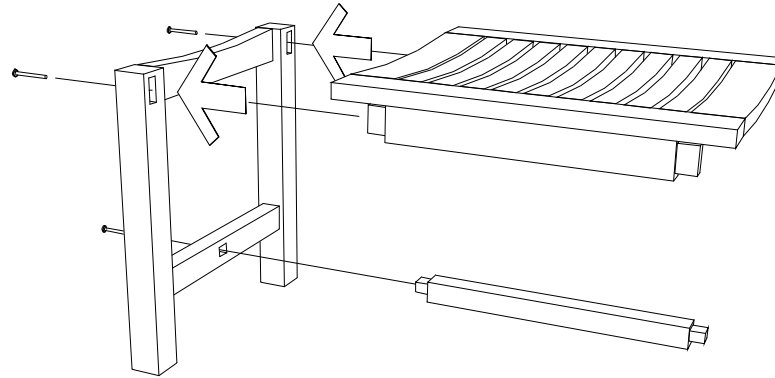


fig 2.

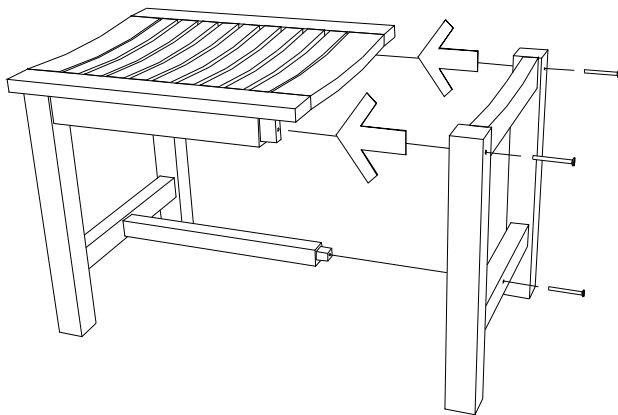


fig 3.

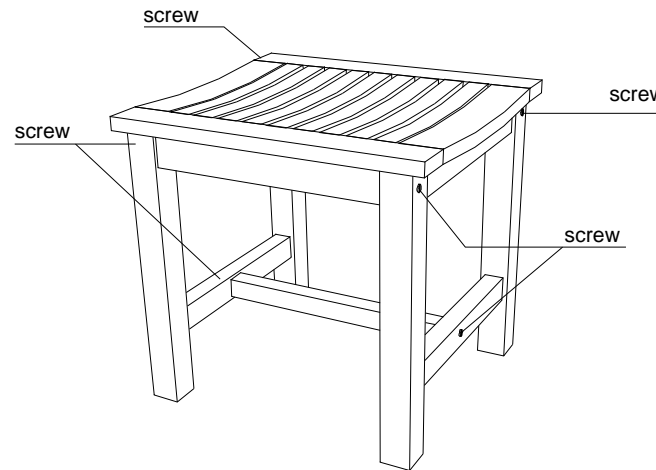


fig 4.

Parts : 2 pcs legs, 1 pc seat,  
1 pcs leg's support

Hardware packs

- screws for front & back of legs and leg's support

Tools requirement :

- screw driver ( not supplied )

Assembling

1. Prepare a leg. ( Fig. 1 )
2. Put some glue into the leg's mortise
3. Insert the seat and leg's support to the leg. ( Fig. 2 )
4. Insert the other leg. ( Fig. 3 )
5. Insert screw into the hole beside the legs.
6. Thighten screw using screw driver.