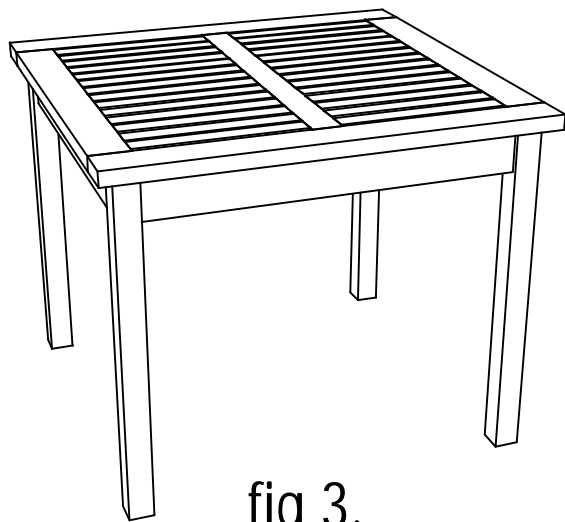
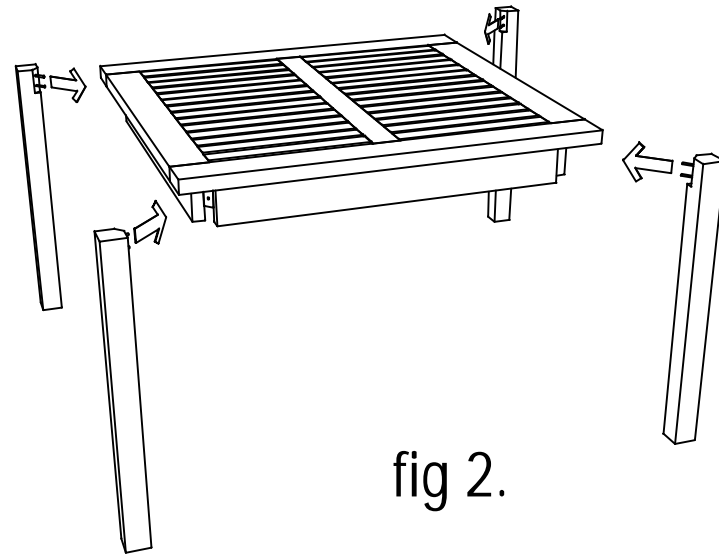
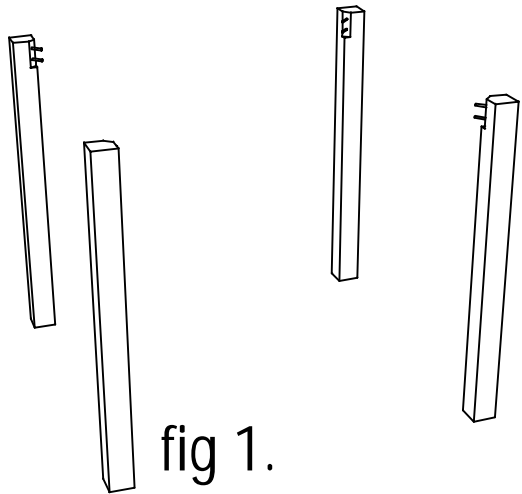


# ASSEMBLY INSTRUCTION

## BAHAMA 35" SQUARE BISTRO TABLE



Parts : 4 psc legs, 1 pc top table

Hardware packs

- bolt to clamp the table

Tools requirment

- bolt driver ( not supplied )

Assembling

1. Prepare a leg. ( Fig. 1 )
2. Insert the legs into the table. ( Fig. 2 )
3. Tighten the bolt ( under the table ) of the legs.