

ASSEMBLY INSTRUCTION

CENTER MODULAR

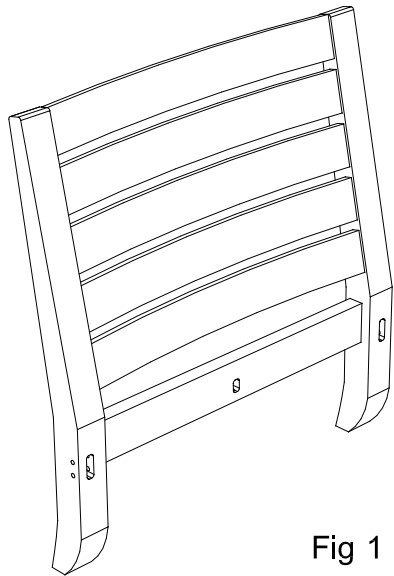


Fig 1

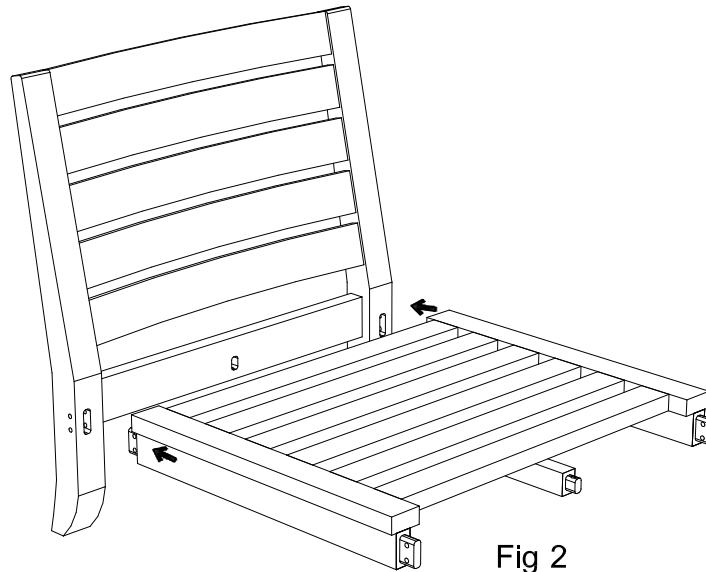


Fig 2

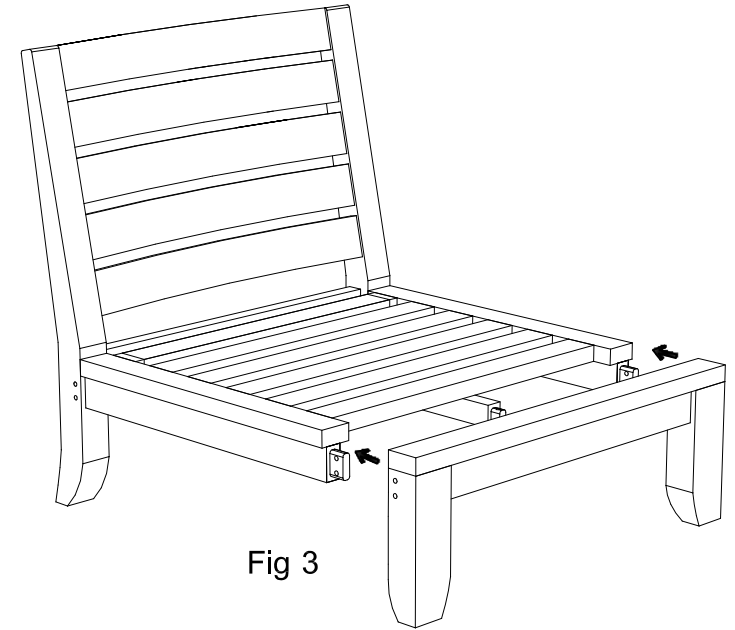


Fig 3

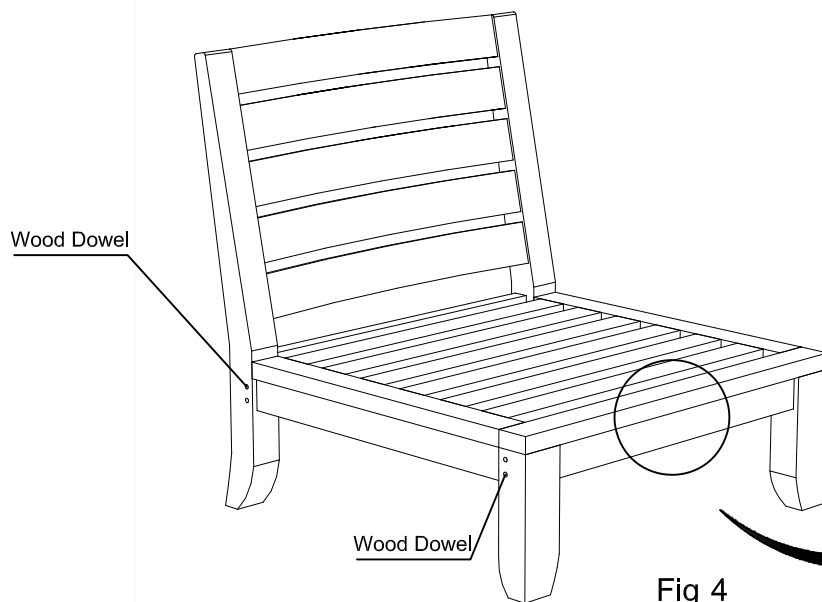


Fig 4

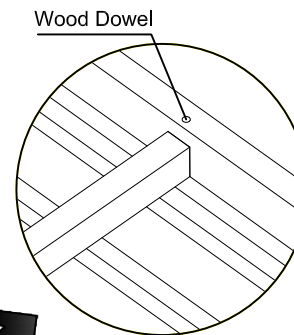


Fig 5

Parts : 1 set front leg, 1 set leg & back support, 1 pc seat

Hardware packs :
Wood dowels for leg & back support, seat, arm

Tools requirement :
Hammer (not supplied)

Assembling :

1. Prepare leg & back support (Fig. 1)
2. Put some glue into the seat mortise, insert the seat into leg & back support (Fig. 2)
3. Insert the front leg. (Fig. 3)
4. Put some glue around the wood dowels and insert it into the back support, front leg and seat support (Fig. 4 & Fig 5)
5. Finish Assembly
6. Clean the overflow glue using damp cloth while glue is still wet.