

ASSEMBLY INSTRUCTION

CHD-091

SONOMA DINING CHAIR

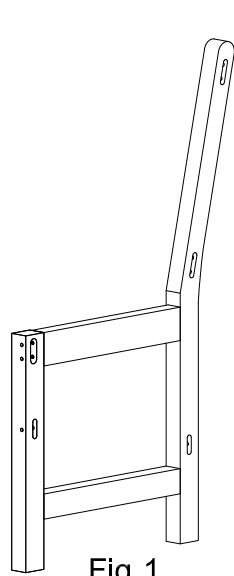


Fig 1

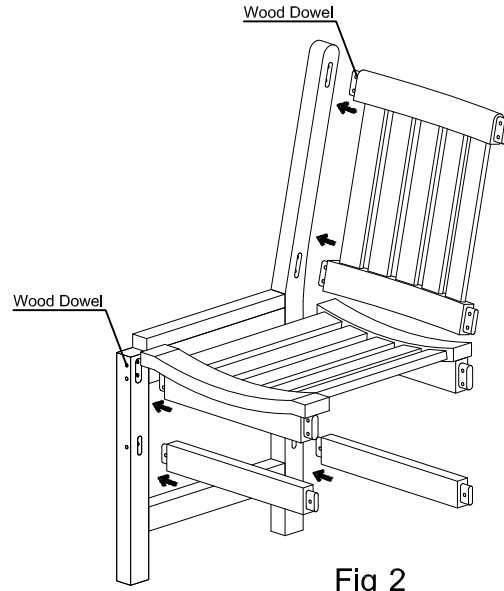


Fig 2

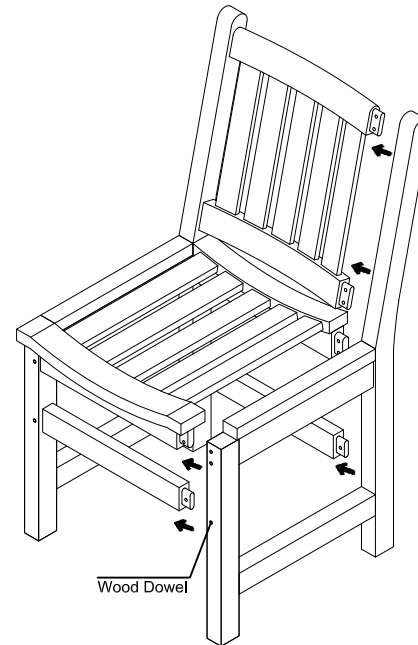


Fig 3

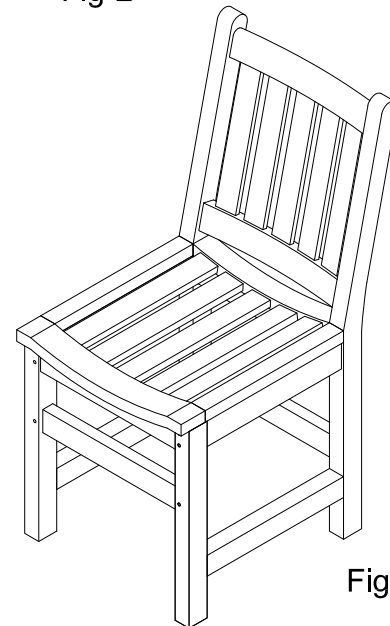


Fig 4

Parts : 2 Pcs Leg, 1 Pc Seat, 1 Back Support, 1 Pcs Front Apron & 1 Pc Back Apron

Hardware packs :
Wood dowels for Leg

Tools requirement :
Hammer (not supplied)

Assembling :
1. Prepare leg (Fig. 1)
2. Put some glue into Seat, back Support, Front Apron and Back Apron mortise, insert into hole of leg. Put some glue around the wood dowels and insert into hole of leg (Fig. 2)
3. Insert the other leg, Put some glue around the wood dowels and insert into hole of leg. (Fig. 3)
4. Finish Assembly (Fig. 4)
5. Clean the overflow glue using damp cloth while glue is still wet.