

# ASSEMBLY INSTRUCTION

CHS-022

SAHARA STACKING DINING ARM CHAIR

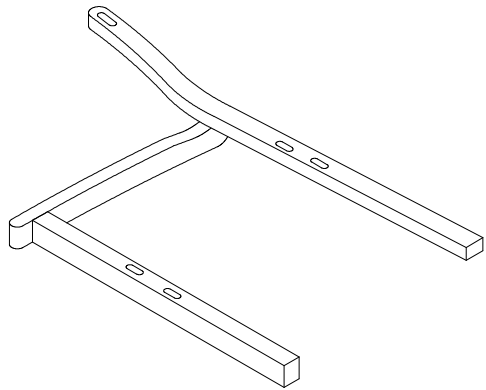


Fig 1

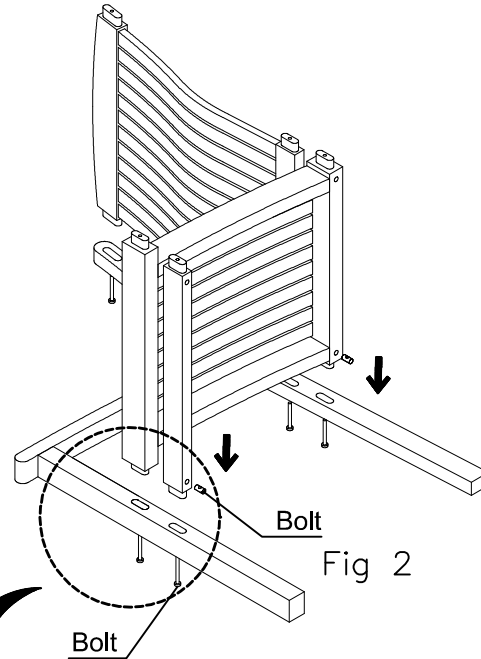


Fig 2

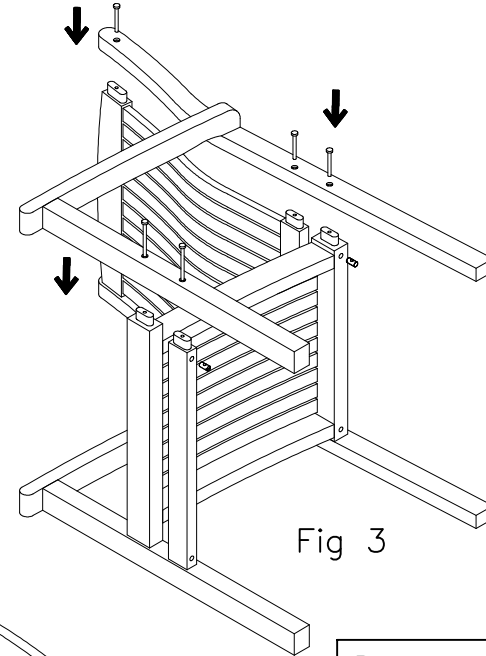


Fig 3

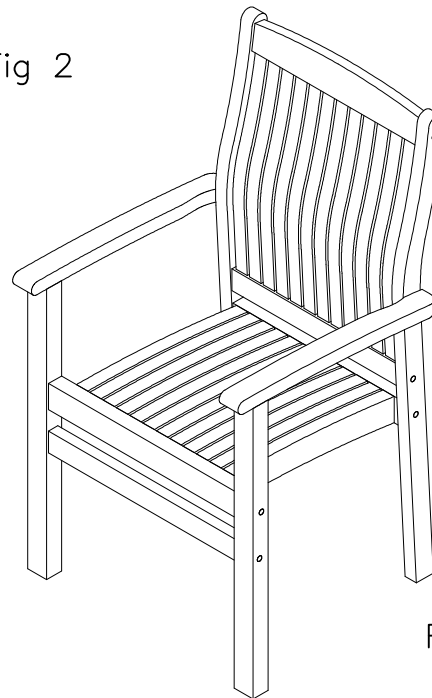
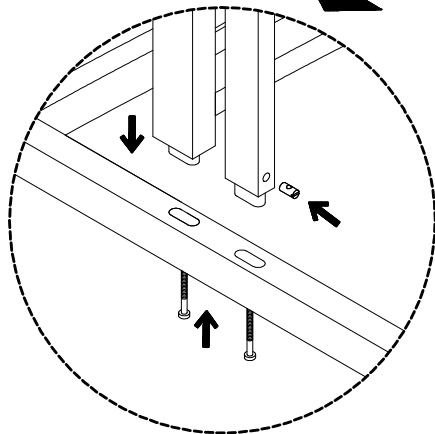


Fig 4

Parts : 2 set legs, 1 Pc seat, 1Pc Backrest  
& 1 Pc Support of seat

Hardware packs :  
Hammer Bolt for the Leg & support of Seat

Tools requirment :  
Screw Driver ( not supplied )

Assembling :

1. Prepare the Leg ( Fig. 1 )
2. Prepare the Seat. Insert the seat and the support of seat into leg. Insert the backrest into leg. insert the bolt into leg from side and insert the bolt (hammer) to apron of seat from side. Use screw driver to do it (Fig. 2)
3. Insert the other leg (Fig. 3)
4. Finish Assembly (Fig. 4)