

ASSEMBLY INSTRUCTION

TB-312

35" SQUARE PEDESTAL TABLE

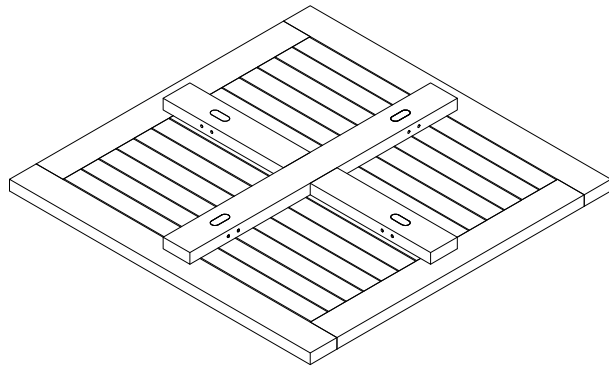


Fig 1



Fig 2

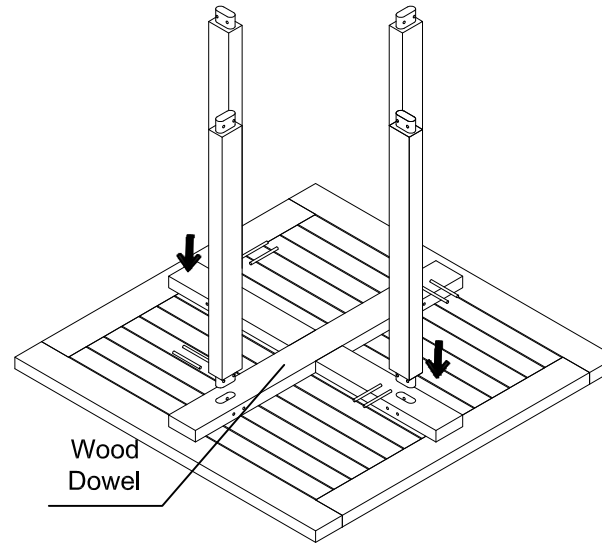


Fig 3

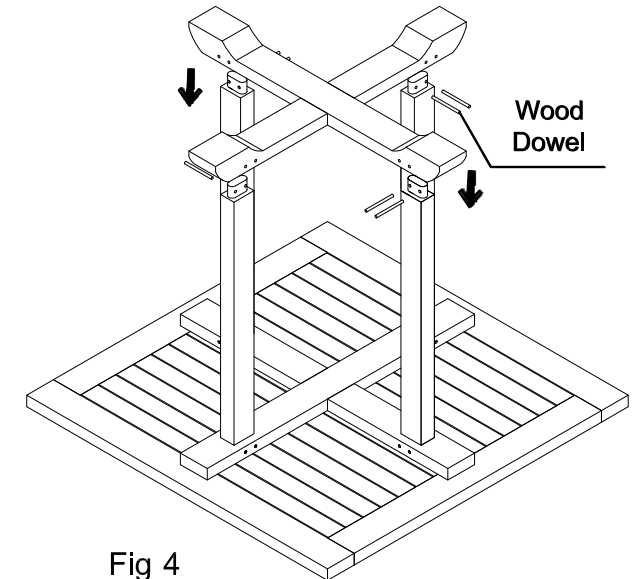


Fig 4

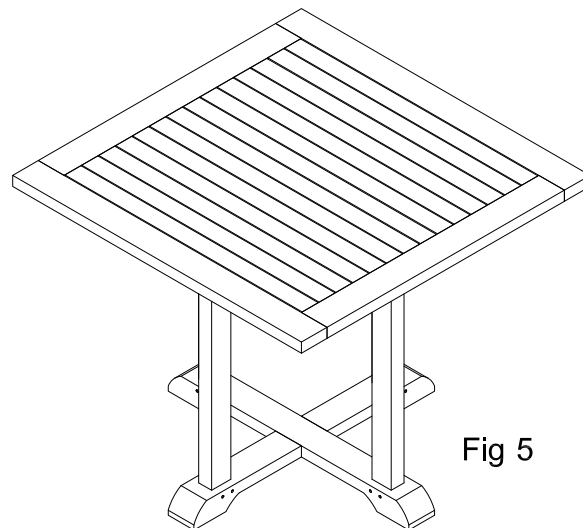


Fig 5

Parts : 1 pc top, 4 pcs leg, 1 pc based lég

Hardware packs :
Wood dowels for leg

Tools requirement :
Hammer (not supplied)

Assembling :

1. Prepare the top (Fig. 1)
2. Prepare the leg (Fig. 2)
3. Put some glue into the leg mortise. Insert the leg into top. Put some glue around the wood dowels and insert into the leg (Fig. 3)
4. Put some glue into the leg mortise. Insert the based leg. Put some glue around the wood dowels and insert into the leg (Fig. 4)
5. Finish assembly (Fig. 5)
6. Clean the overflow glue using damp cloth while glue is still wet.