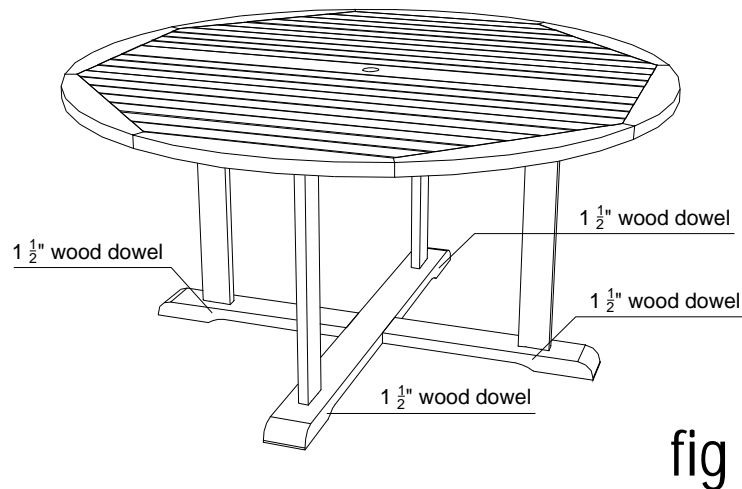
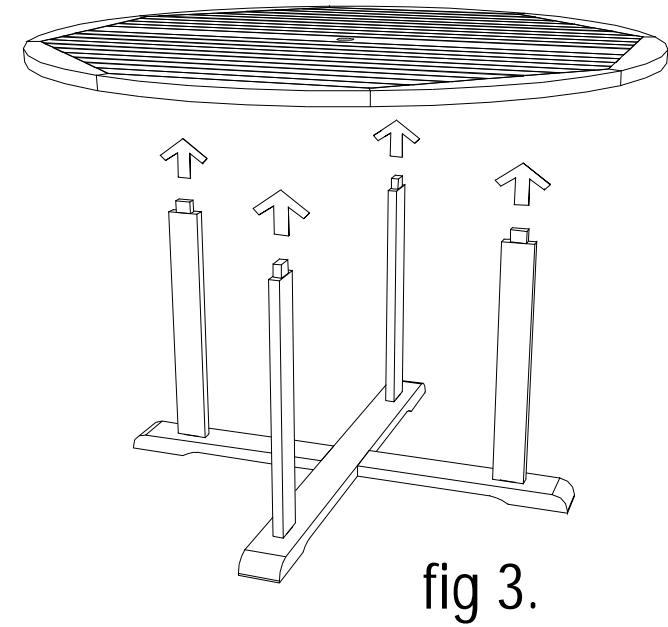
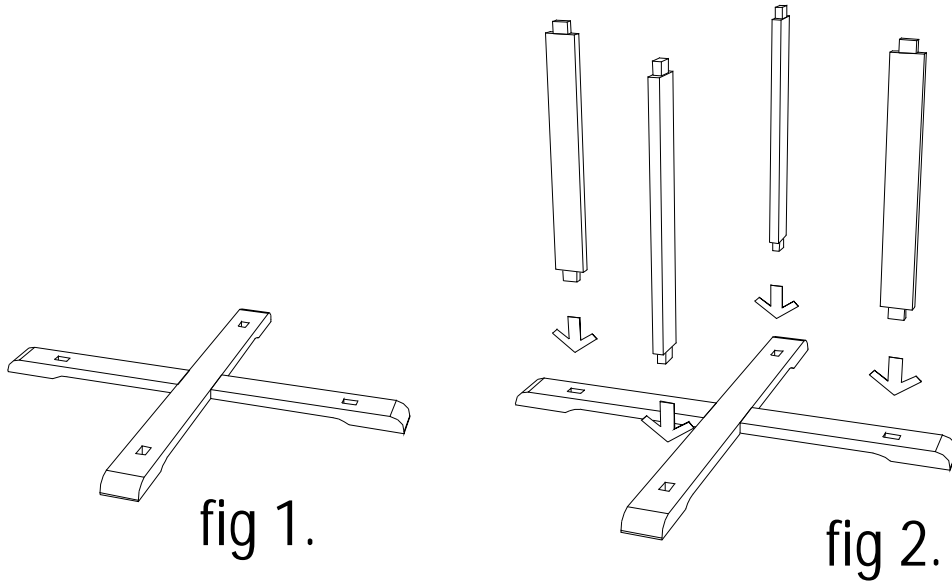


ASSEMBLY INSTRUCTION

TB-005RF

5-FOOT ROUND TABLE



- Parts : 4 pcs legs, 1 pc top table
1 pc bottom leg
- Hardware packs
- wood dowels for top & bottom of legs
- Tools requirement :
- hammer (not supplied)
- Assembling
1. Prepare the bottom leg. (Fig. 1)
 2. Put some glue into the leg's mortises. (Fig 2)
 3. Insert the legs. (Fig 2)
 4. Insert the legs into top table. (Fig 3)
 5. Put some glue around the wood dowels and insert it into top and bottom of legs.
 6. Clean the glue rest using a damp cloth.