

ASSEMBLY INSTRUCTION

BH-748B

CAMBRIDGE 48" BACKLESS BENCH

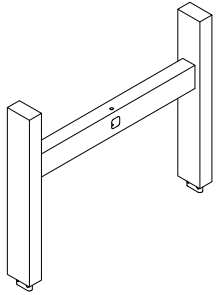


Fig 1

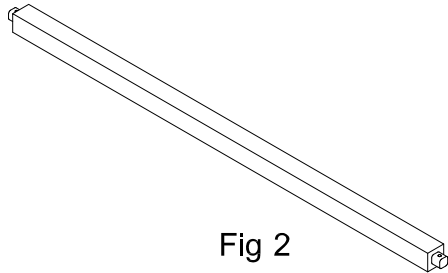


Fig 2

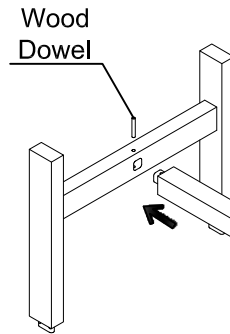


Fig 3

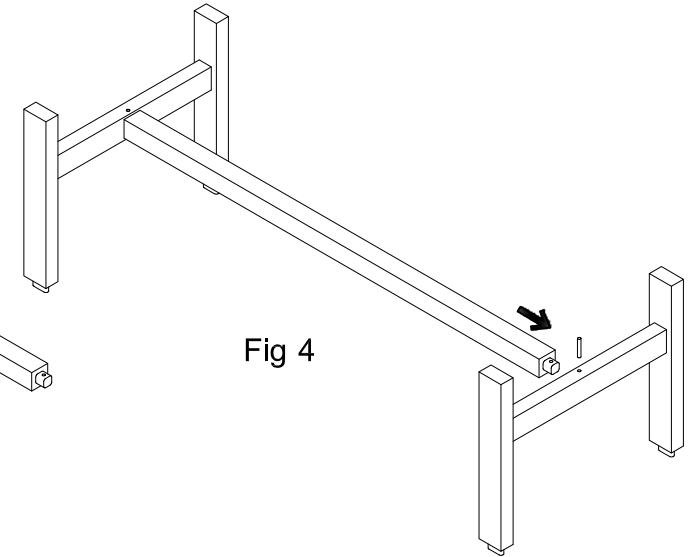


Fig 4

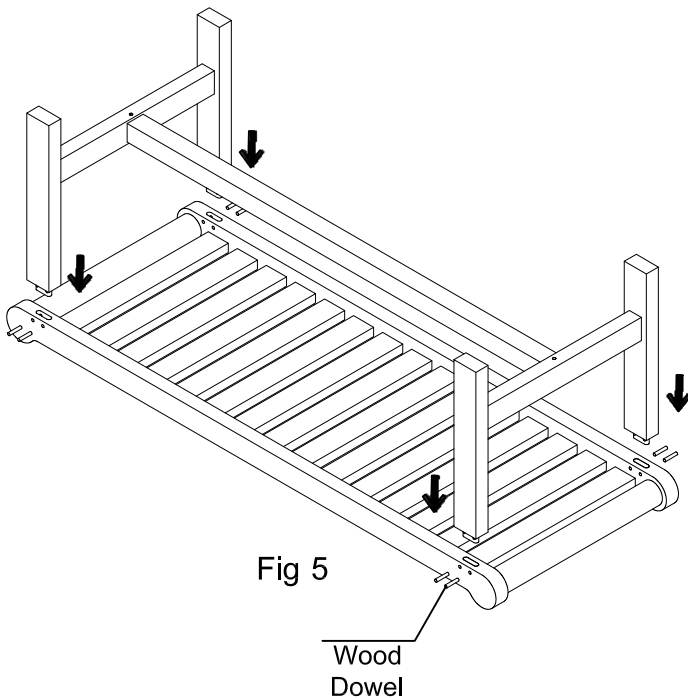


Fig 5

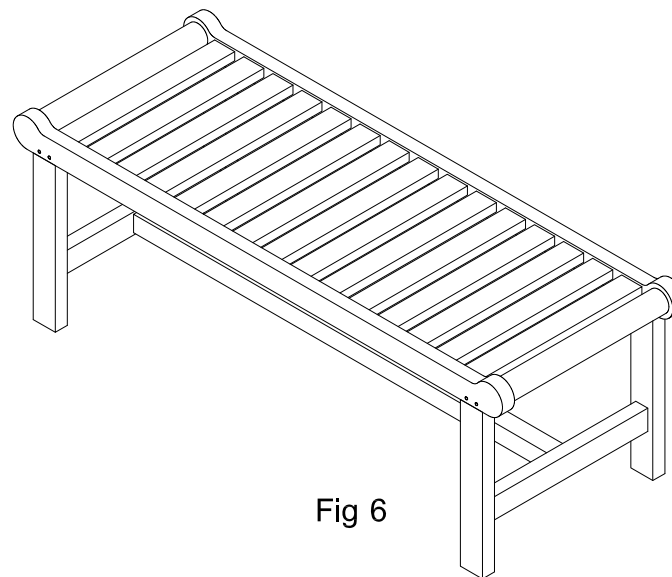


Fig 6

Parts : 2 Sets legs, 1 Pc Seat, 1 Pc Leg Support

Hardware packs :
Wood dowels for the Legs

Tools requirement :
Hammer (not supplied)

Assembling :

1. Prepare a Leg. (Fig. 1)
2. Prepare a Leg support (Fig. 2)
3. Put some glue around mortise of leg support, insert into leg. Put some glue around the wood dowel, insert into support of leg (Fig. 3)
4. Insert other leg (Fig. 4)
5. Put some glue around mortise of leg, insert into Seat. Put some glue around the wood dowel, insert into apron of seat (Fig. 5)
6. Finish Assembly (Fig. 6)
7. Clean the overflow glue using damp cloth while glue is still wet