

ASSEMBLY INSTRUCTION

TB-P222T

KENZI 22" SQUARE SIDE TABLE 2-TIER

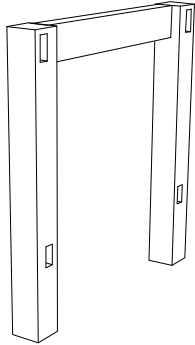


fig 1.

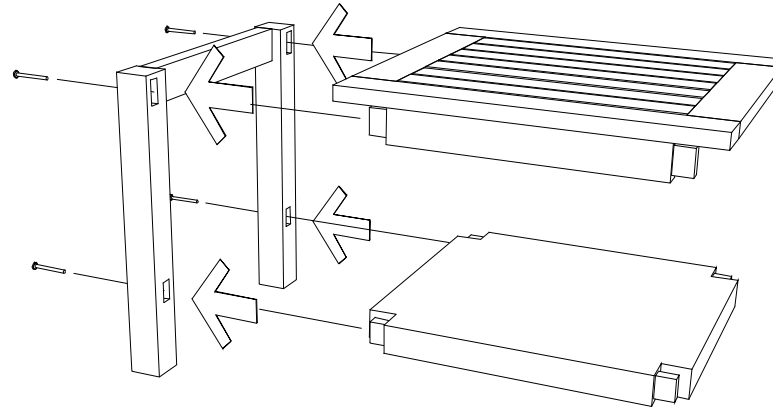


fig 2.

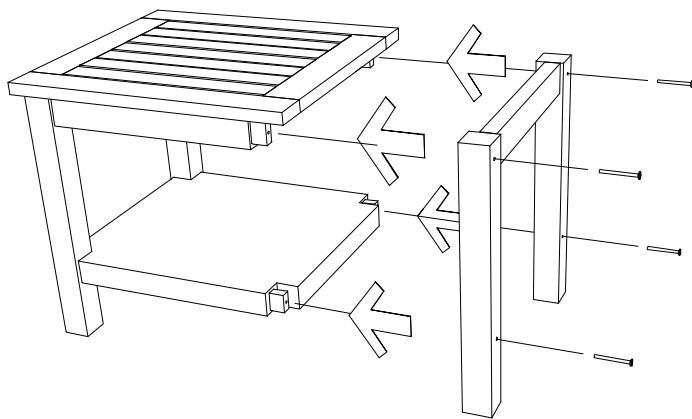


fig 3.

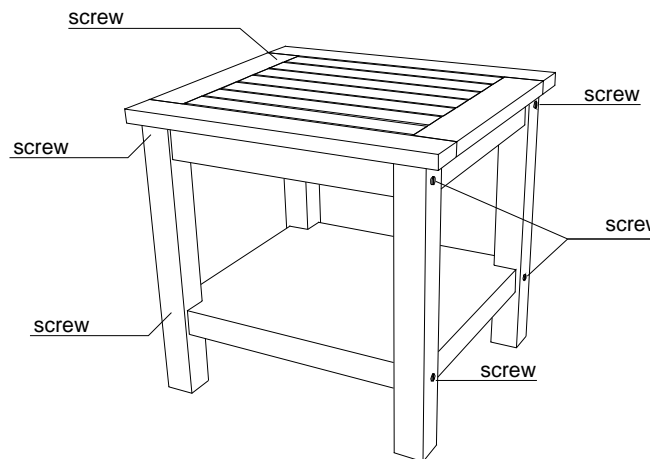


fig 4.

Parts : 2 pcs legs, 1 pc top table,
1 pcs shelf

Hardware packs

- screw for front & back of legs and shelf

Tools requirement :

- screw driver (not supplied)

Assembling

1. Prepare a leg. (Fig. 1)
2. Put some glue into the leg's mortise
3. Insert the top table and shelf to the leg.
(Fig. 2)
4. Insert the other leg. (Fig. 3)
5. Insert screw into the hole beside the
legs
6. Thighten screw using screw driver.