

ASSEMBLY INSTRUCTION

TB-P072DT

RIVIERA RECTANGULAR DINING TABLE

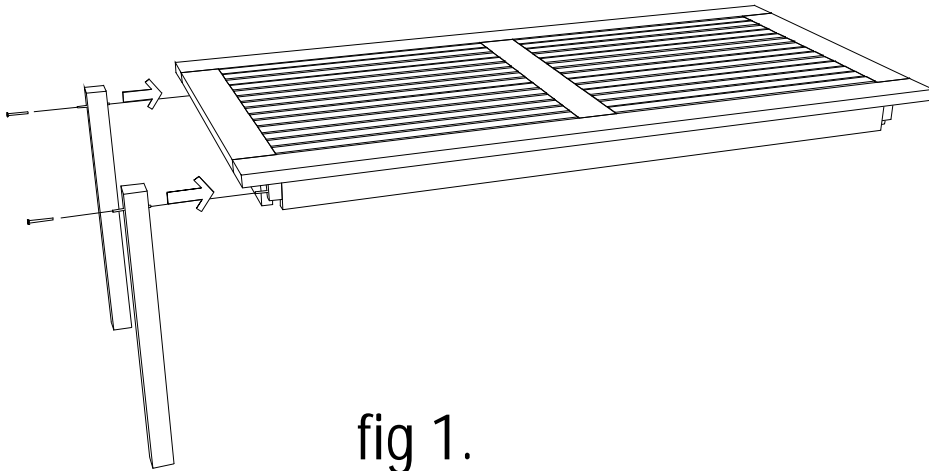


fig 1.

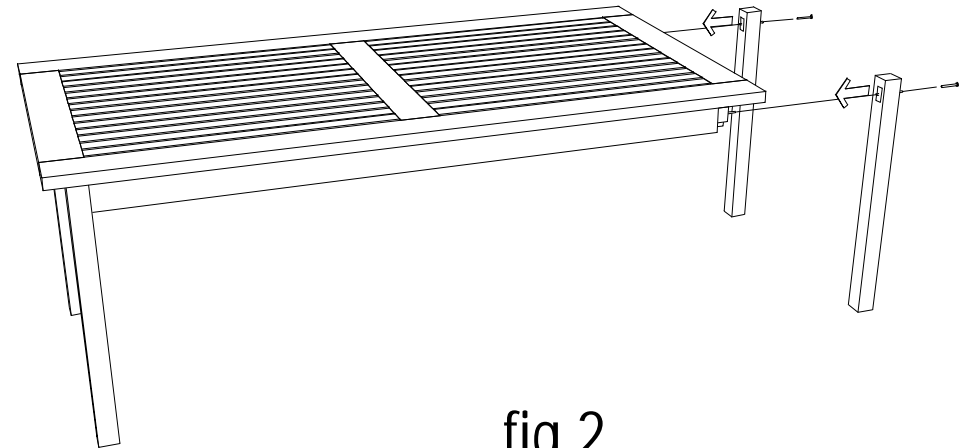


fig 2.

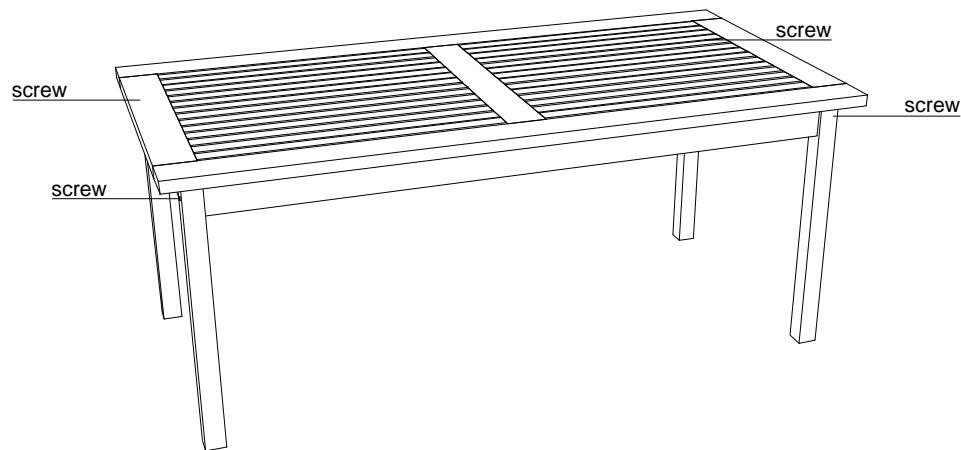


fig 3.

Parts : 4 psc legs, 1 pc top table

Hardware packs

- screws to clamp the table

Tools requirement

- screw driver (not supplied)

Assembling

1. Prepare a leg. (Fig. 1)
2. Insert the legs into the table. (Fig. 2)
3. Insert screw into the hole beside the legs
4. Thighthen screw using screw driver.