

ASSEMBLY INSTRUCTION

AVALON 27" SQUARE BAR TABLE

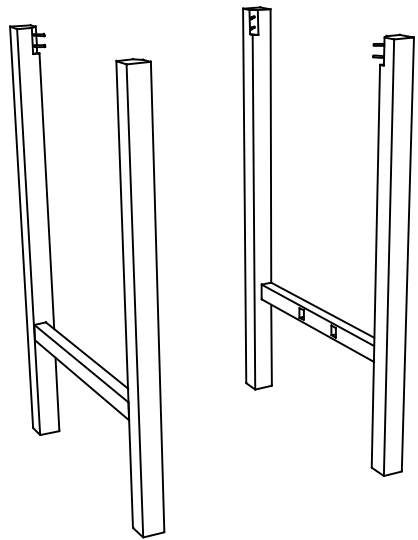


fig 1.

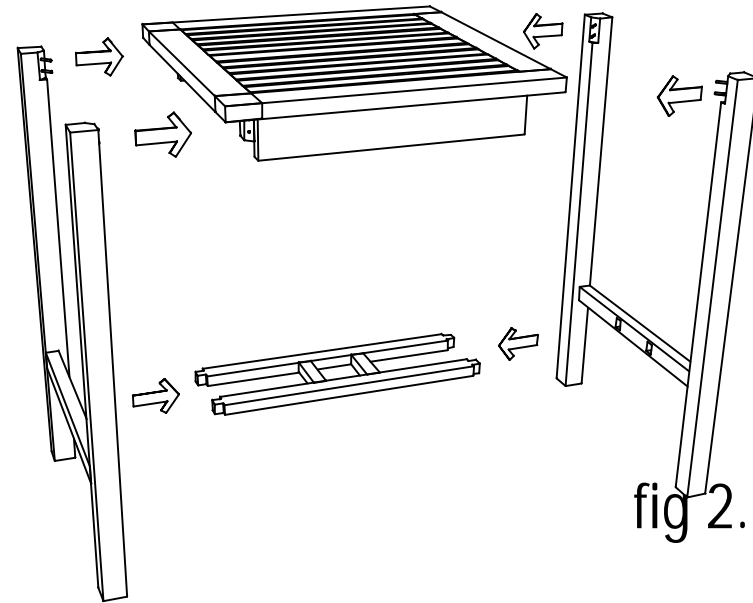


fig 2.

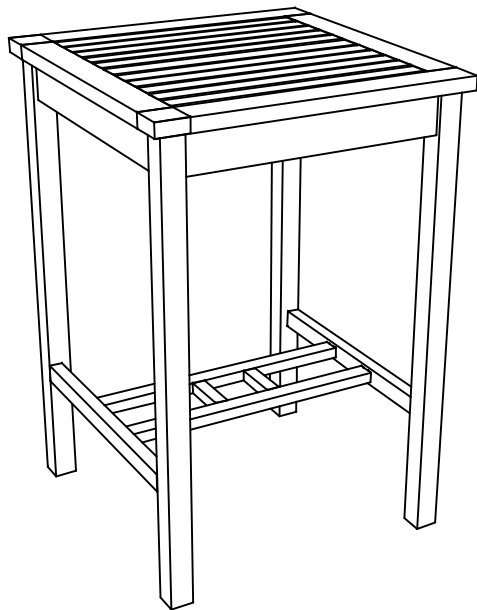


fig 3.

Parts : 2 psc legs, 1 pc top table,
1 pc leg's support

Hardware packs
• bolt to clamp the table

Tools requirement
• bolt driver (not supplied)

Assembling

1. Prepare a leg. (Fig. 1)
2. Insert the legs into the table. (Fig. 2)
3. Tighten the bolt (under the table) of the legs.