

ASSEMBLY INSTRUCTION

CHD-P799

MAGNOLIA DINING ARMCHAIR

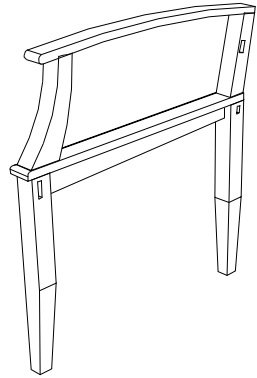


fig 1.

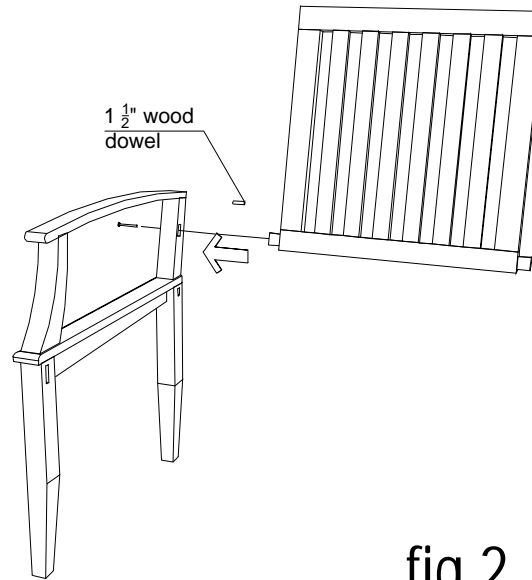


fig 2.

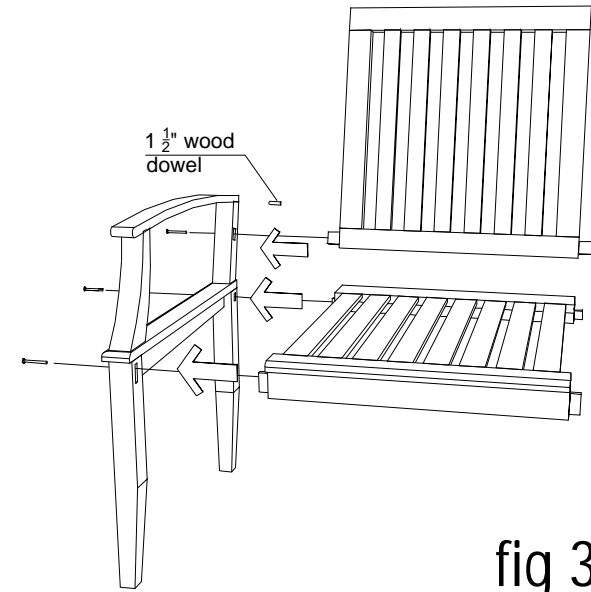


fig 3.

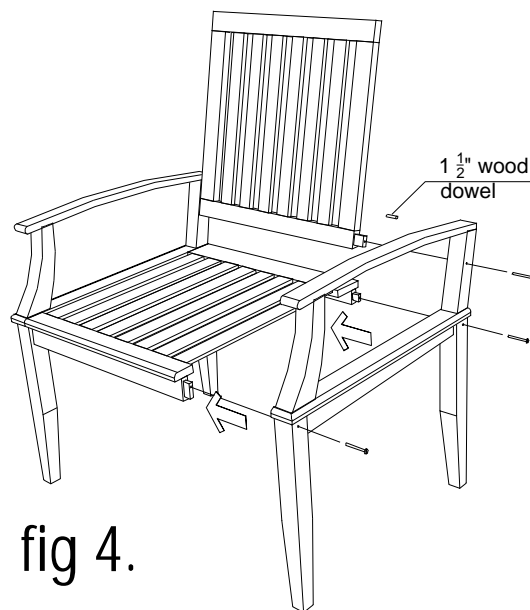


fig 4.

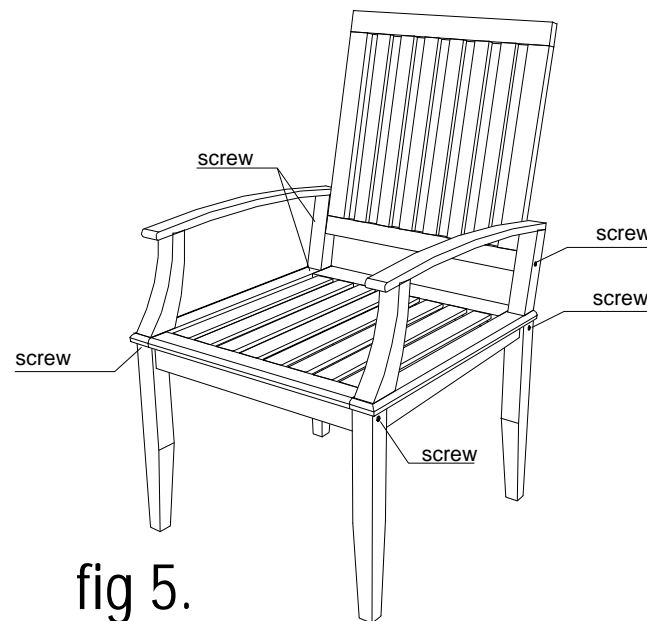


fig 5.

Parts : 2 pcs legs, 1 pc back support, 1 pc seat

Hardware packs

- wood dowels for bottom of back support.
- screw for front & back of legs.

Tools requirement

- screw driver (not supplied)
- hammer (not supplied)

Assembling

1. Prepare a leg. (Fig. 1)
2. Put some glue into the leg's mortise
3. Insert the seat, back support. (Fig. 3)
4. Insert the other leg. (Fig. 4)
5. Put some glue around the wood dowels and insert it into bottom of the back support.
6. Clean the glue rest using a damp cloth.
7. Insert screw into the hole beside the legs
8. Thighten screw using screw driver.