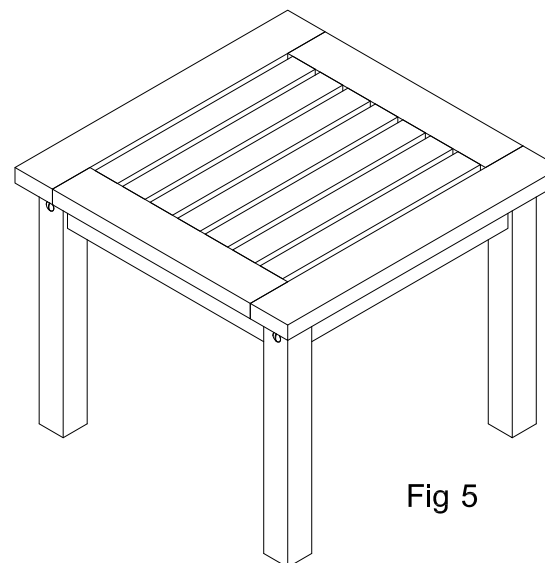
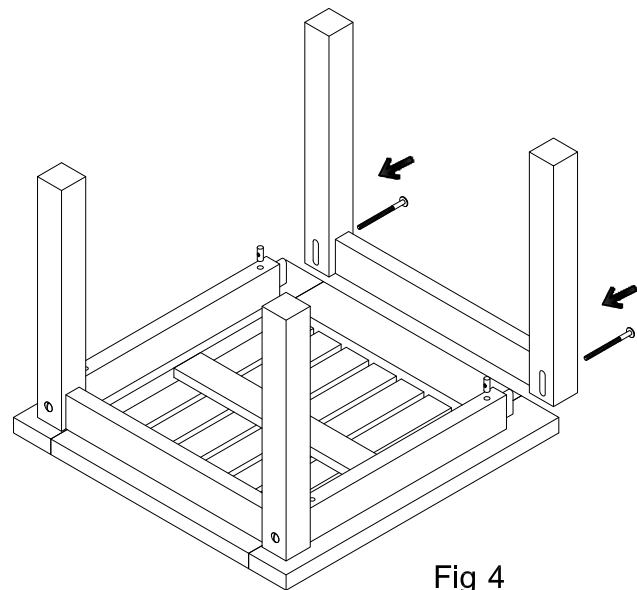
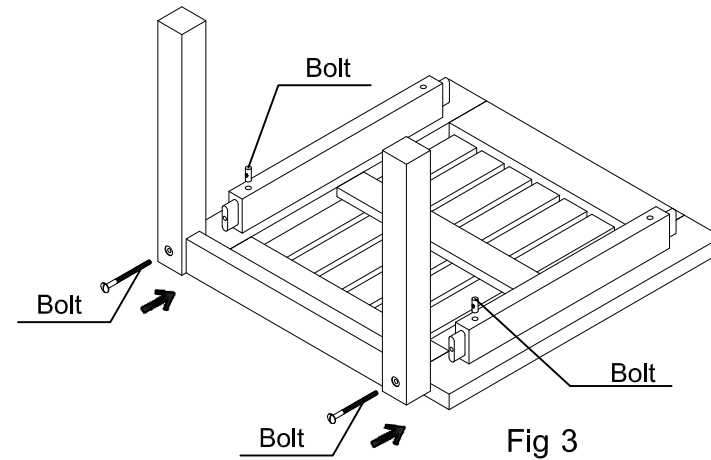
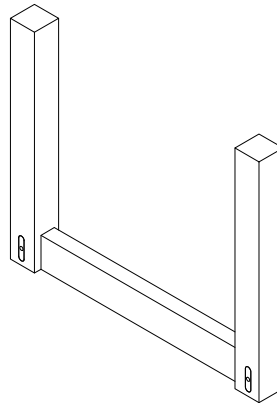
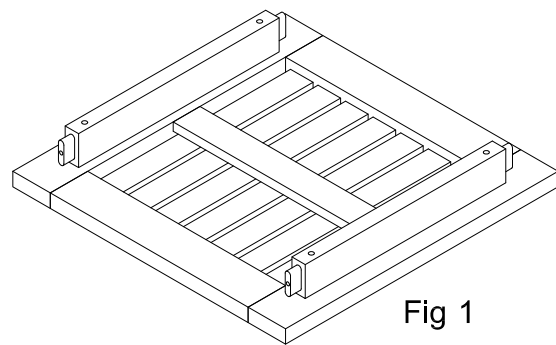


ASSEMBLY INSTRUCTION

TB-020 MS

BAHAMA 20" MINI SIDE TABLE



Parts : 2 Sets legs, 1 Pc Top

Hardware packs :
Bolt for the Legs
L tool

Tools requirment :
Screw Driver (not supplied)

Assembling :

1. Prepare a top (Fig. 1)
2. Prepare the Leg (Fig. 2)
3. Insert the leg into the top and insert the Bolt (Fig. 3)
4. Insert the other leg (Fig. 4)
5. Finish Assembly (Fig. 5)