

ASSEMBLY INSTRUCTION

TB-4717 ST

ATLANTA SERVING TABLE

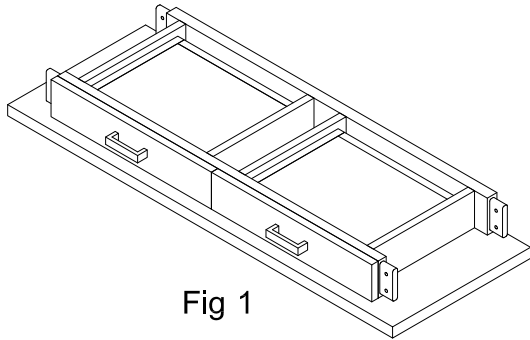


Fig 1

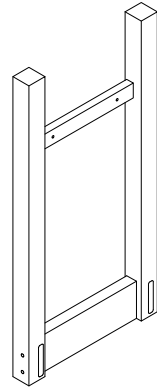


Fig 2

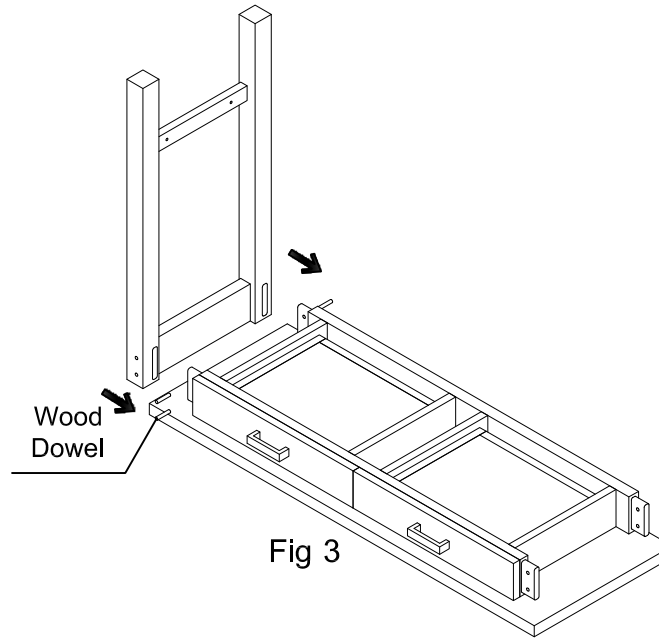


Fig 3

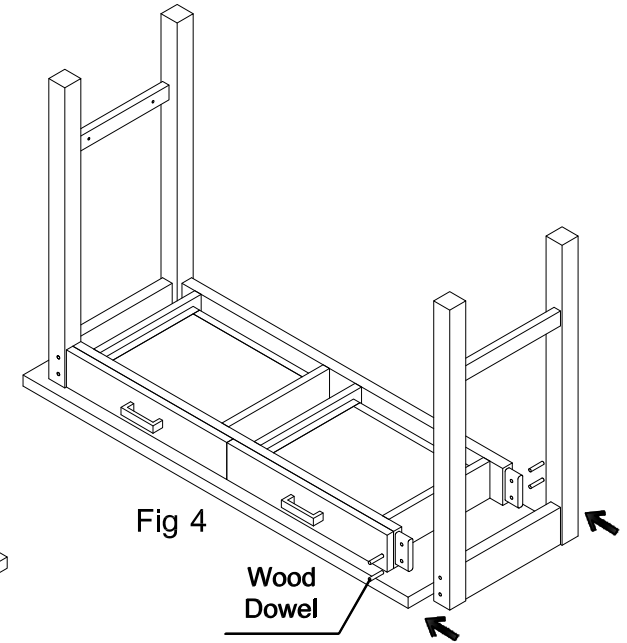


Fig 4

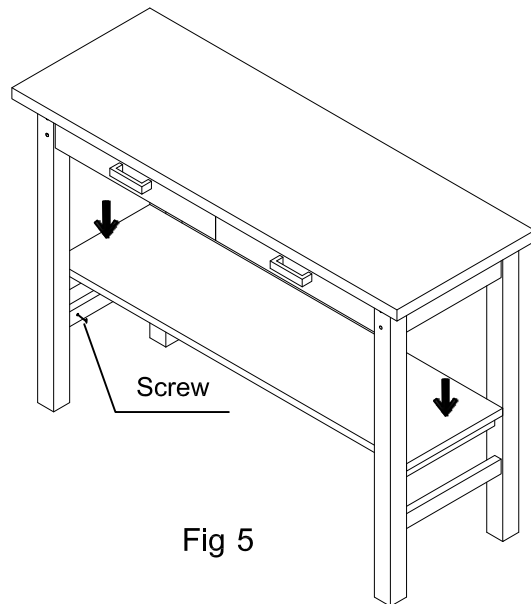


Fig 5

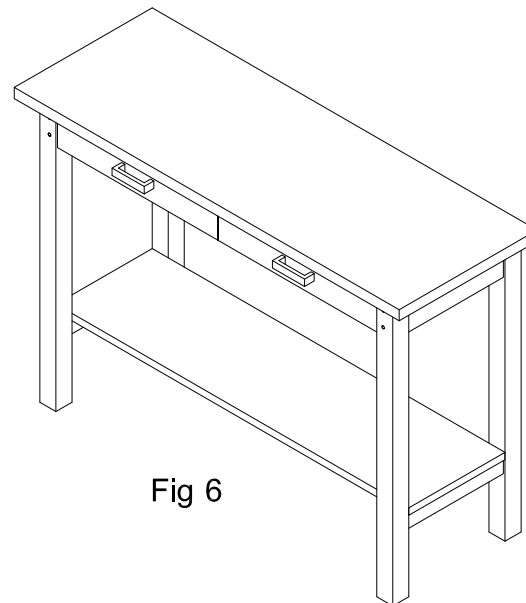


Fig 6

Parts : 1 pc top with 2 drawers, 1 pc left leg, 1 pc right leg, 1 pc shelf

Hardware packs :
Wood dowels for left and right leg
screw for shelf support

Tools requirement :
Hammer and Screw driver (not supplied)

Assembling :

1. Prepare the top with 2 drawers (Fig. 1)
2. Prepare the leg (Fig. 2)
3. Put some glue into the left & right leg mortise. Insert the leg. Put some glue around the wood dowels and insert it into the leg (Fig. 3)
4. Insert the other leg (Fig. 4)
5. Put The shelf in the both of leg. Insert the screw to the shelf support with screw driver (Fig. 5)
6. Finish assembly (Fig. 6)
7. Clean the overflow glue using damp cloth while glue is still wet.