

ASSEMBLY INSTRUCTION

TB-004 KT

KIDNEY TABLE (CURVE TABLE)

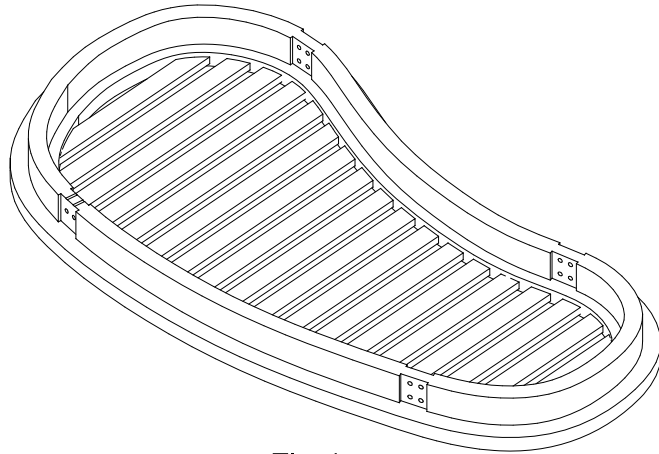


Fig 1

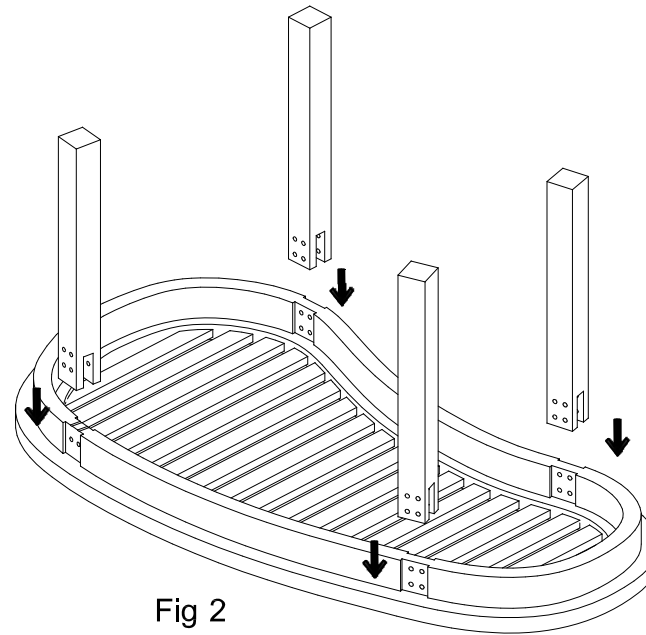


Fig 2

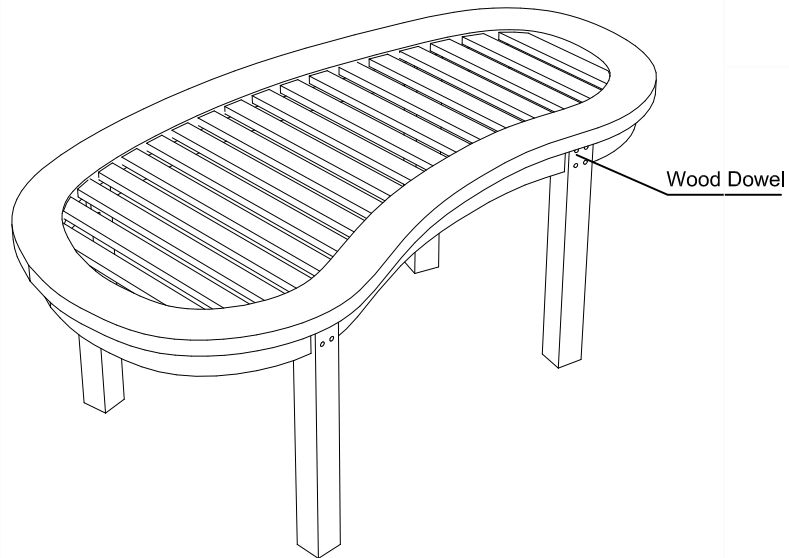


Fig 3

Parts : 1 pc top , 4 pcs leg

Hardware packs :
Wood dowels for leg

Tools requirement :
Hammer (not supplied)

Assembling :

1. Prepare the top (Fig. 1)
2. Put some glue into the apron of top, and put the leg (Fig. 2)
3. Put some glue around the wood dowels and insert it into the leg (Fig. 3)
4. Finish assembly
5. Clean the overflow glue using damp cloth while glue is still wet.