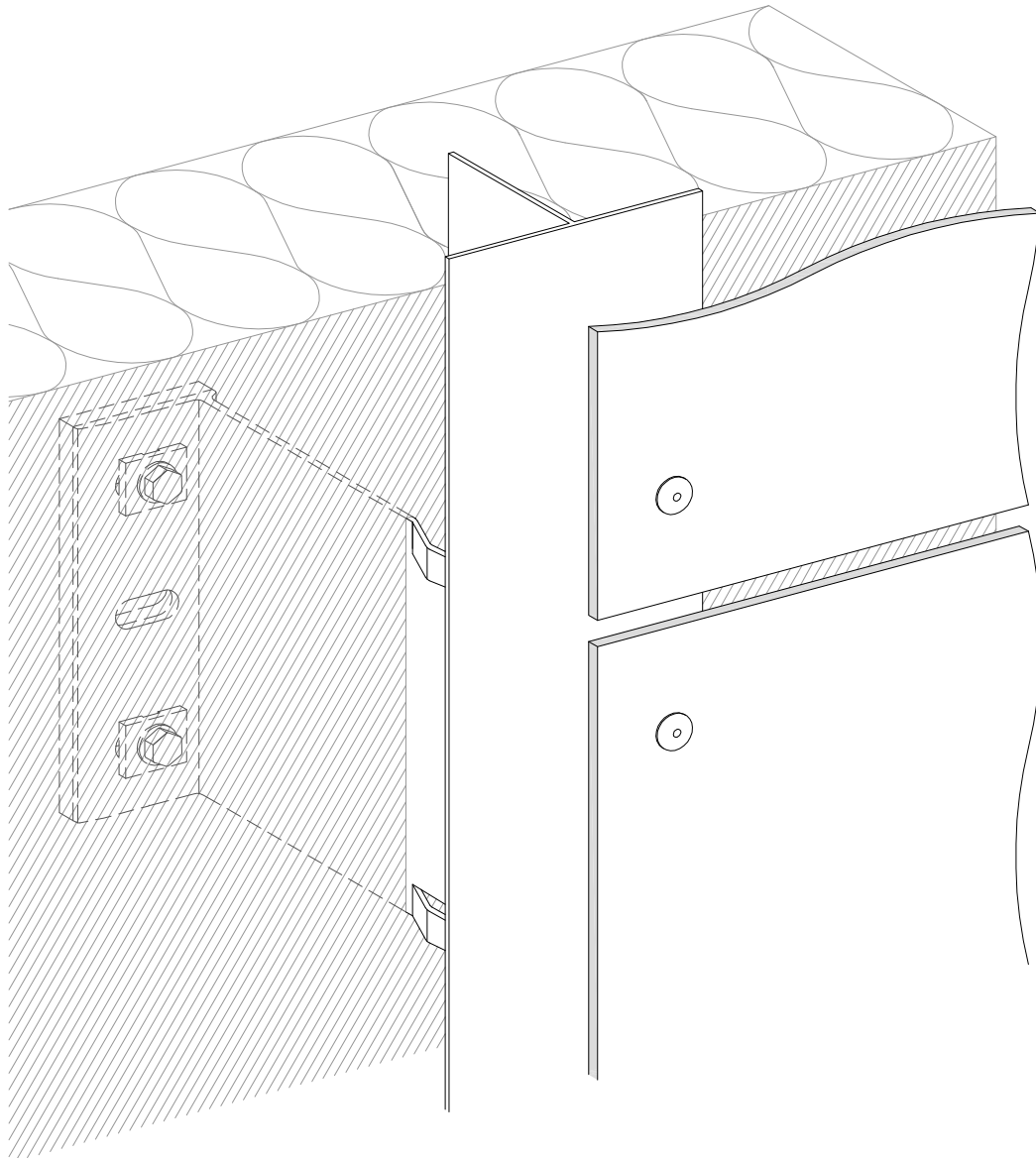


Flat cladding plates, visible riveted

System LT - 139

ACM (Aluminium composite material),
Aluminium sheet, Fibre cement, HPL

Product changes in the sense of a technical progress are reserved. All advice recommendation and information is given to the best of our knowledge but without any obligation on our part. 01/2012



Flat cladding plates, visible riveted

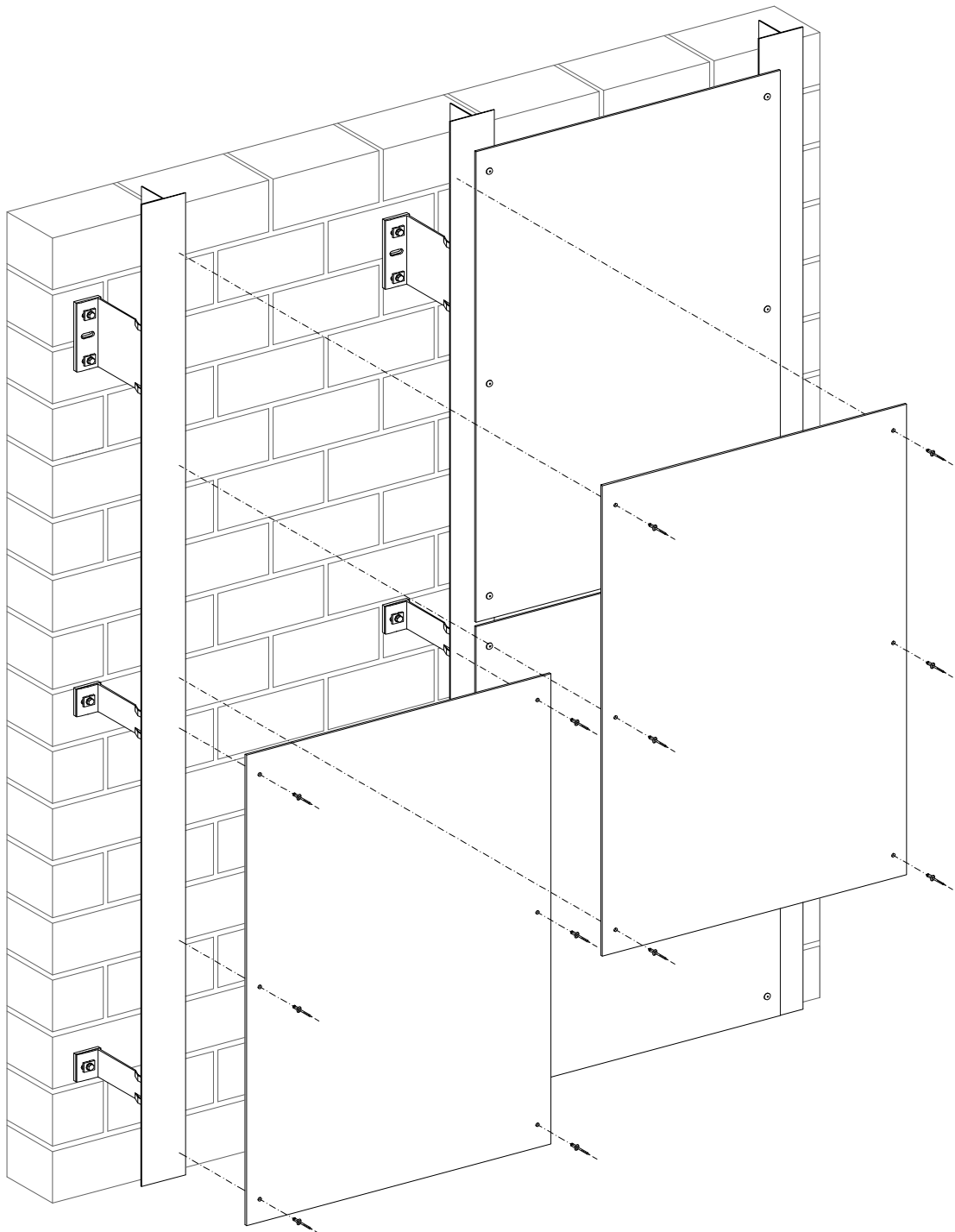
ACM (Aluminium composite material),
Aluminium sheet, Fibre cement, HPL

System LT - 139

Installation Scheme

Vertical laying

Product changes in the sense of a technical progress are reserved. All advice recommendation and information is given to the best of our knowledge but without any obligation on our part. 01/2012



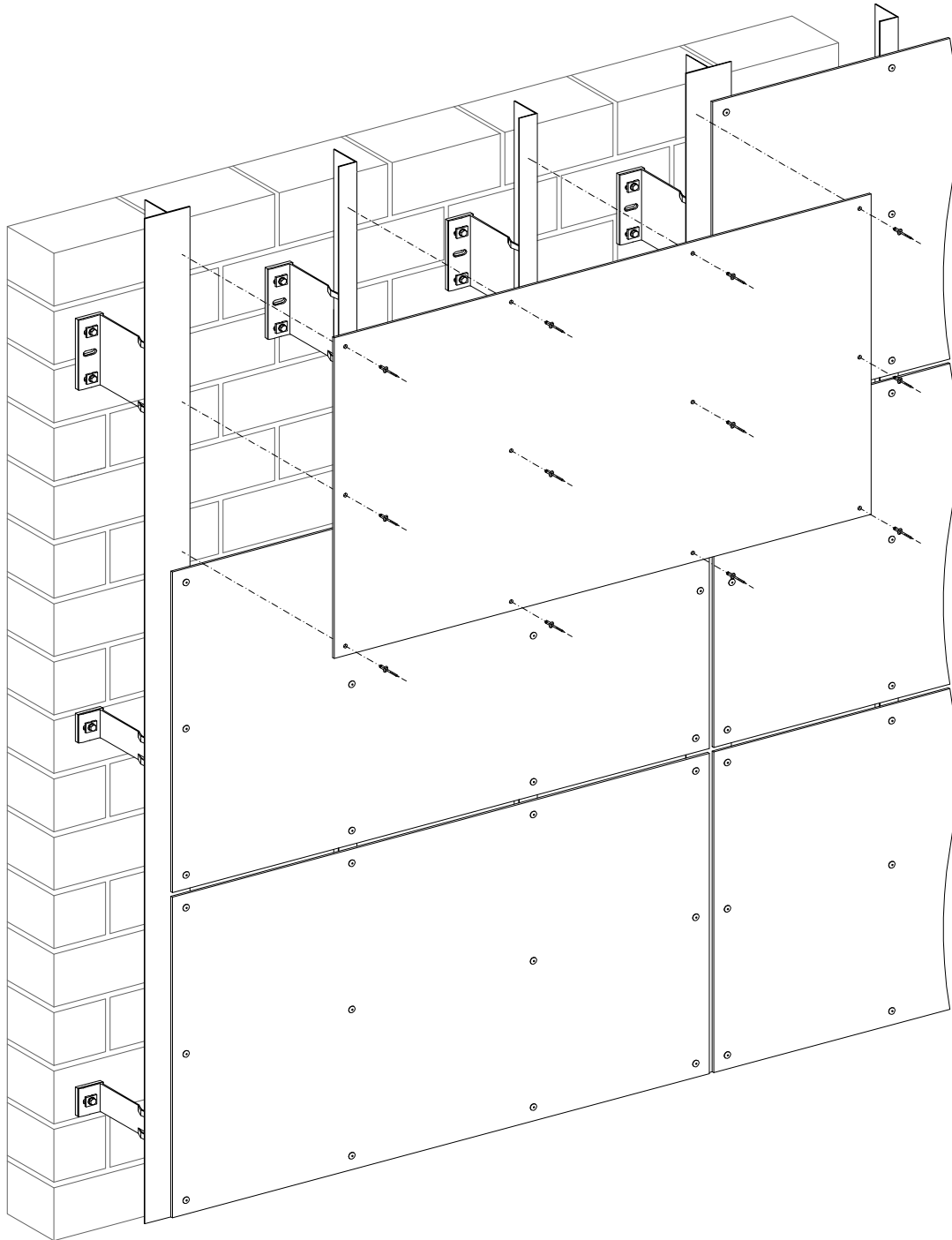
Flat cladding plates, visible riveted

ACM (Aluminium composite material),
Aluminium sheet, Fibre cement, HPL

System LT - 139

Installation Scheme

Vertical laying



Product changes in the sense of a technical progress are reserved. All advice recommendation and information is given to the best of our knowledge but without any obligation on our part. 01/2012

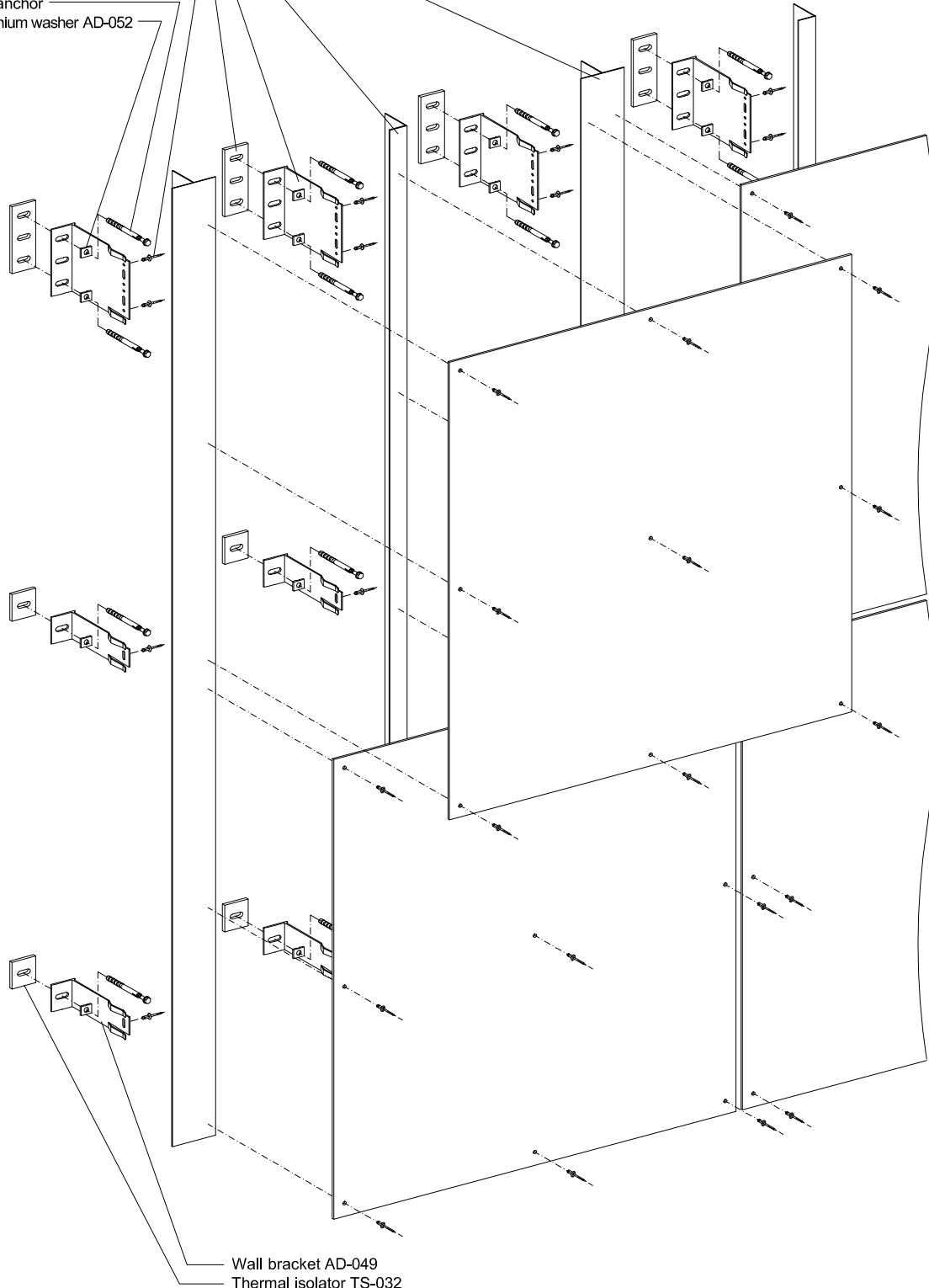
Flat cladding plates, visible riveted

System LT - 139

ACM (Aluminium composite material),
Aluminium sheet, Fibre cement, HPL

Assembly plan

- Vertical support profile A-39
- Vertical support profile A-47.1
- Wall bracket AD-050
- Thermal isolator TS-033
- Special blind rivet \varnothing 5mm
- Wall anchor
- Aluminium washer AD-052



Product changes in the sense of a technical progress are reserved. All advice recommendation and information is given to the best of our knowledge but without any obligation on our part. 01/2012