

Push'n-Turn Expander TK295

1

IMPORTANT NOTICE:

- If you require detailed information about headset installation or service, contact your local dealer or distributor or check our website service manuals.
- Do not alter this product in any way as it can cause unseen damage. Any modifications to this product will void the warranty.
- We suggest taking your expander to your local TOKEN dealer for installation, service and adjustments.
- Read the user's guide before installation and use. Follow all instructions carefully. If you have any questions, don't ride the bike. Take it to your local TOKEN dealer for assistance.

BEFORE INSTALLATION:

Make sure your stem / spacer / fork steerer configuration, as well as the inner diameter of the steerer meets the picture shown above. Failure to follow this could cause improper installation which can lead to serious injury.

WARNING:

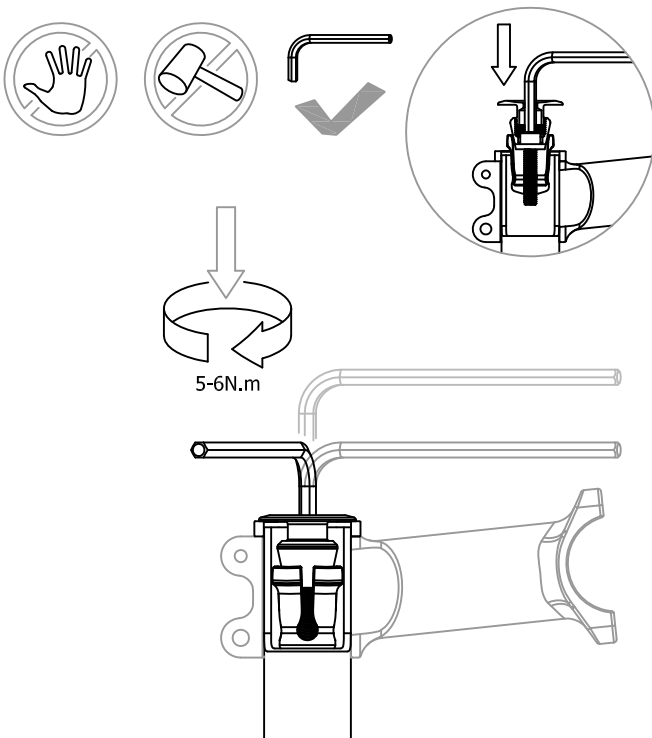
If the headset is loose, re-install the expander and adjust the headset. Take your bike to your local TOKEN dealer for assistance if you are unable to do so. Check this before every ride.

WARRANTY:

All TOKEN products are guaranteed against defects in materials or workmanship for two (2) years from the original date of purchase. This warranty applies to the original owner only and is not transferable. The warranty is considered void if resold. The warranty does not cover normal wear and tear or damage from abuse. Please see our website or contact your local dealer or distributor for more details.

www.tokenproducts.com

2

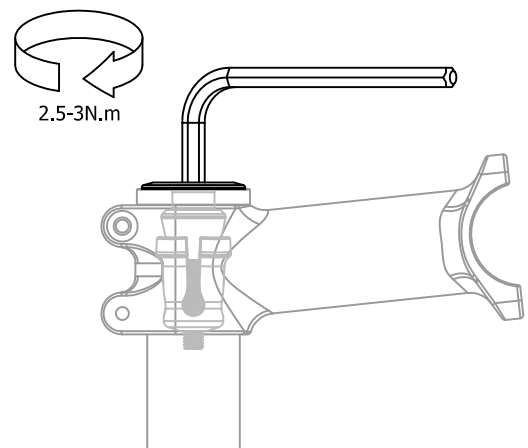


Step 1

Push the expander into the fork steerer with a 5mm allen key, then tighten it to 5-6N.m.

Note: Do NOT attempt to push the expander in by pushing the top cap as doing so will expand the expansion collet and the expander will not go in.

3



Step 2

Tighten the top cap to 2.5-3N.m with a 6mm allen key.

4