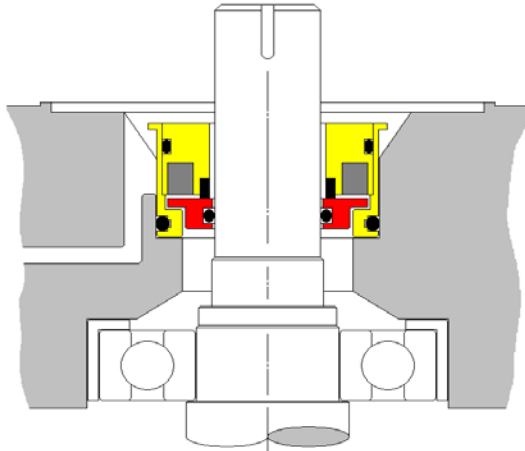




# MAGNUM-S SEALS

to fit **SUNDYNE**  
LMV UPPER GEARBOX



**ISOMAG** bearing seals eliminate the problems caused by leaking upper gearbox lip seals.

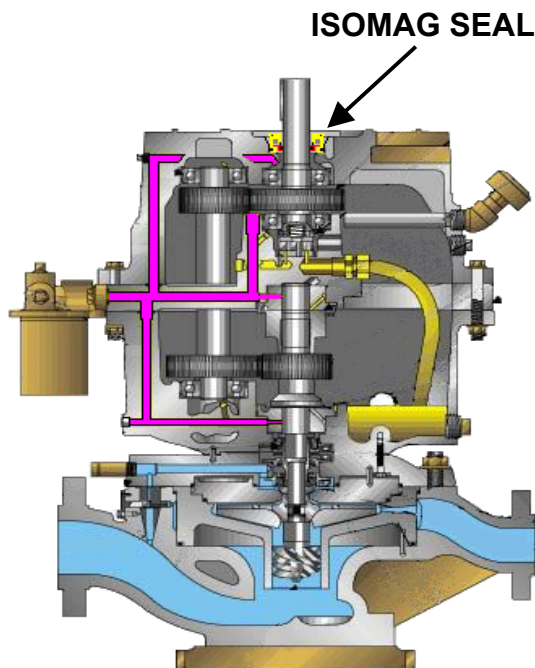
**ISOMAG** lapped flat face sealing technology seals in lubricating oil better and longer than standard lip seals.

These **ISOMAG** seals are designed to replace the standard upper gearbox lip seal in **Sundyne LMV** series geared pumps.

Put an end to oily and messy drain ports on your **Sundyne** pumps.

**ISOMAG MAGNUM** seals are designed to last for years and **not damage your shaft**. They work as a compact one-piece unit that installs as easily as a lip seal.

The **MAGNUM-S** features all metal primary construction and internal magnetically loaded sealing faces with **no exposed moving parts**.



### LMV 311 & LMV 322

Isomag Magnum-S cartridge bearing seal  
Assembly code 1500MS2248  
Assembly Dwg. C0001173  
P.I.N. 0000029

### LMV 331 & LMV 333

Isomag Magnum-S cartridge bearing seal  
Assembly code 1500MS2498  
Assembly Dwg. C0001174  
P.I.N. 0001302

U.S. Patents  
5,730,447  
6,805,358

**ISOMAG Corp. 11871 Dunlay Lane Baton Rouge, LA 70809**  
Phone: 225-752-0926 Fax: 225-756-3141 Website:

*SUNDYNE is a trademark of Sundyne Corporation, Arvada, CO  
Isomag products were developed independent of Sundyne Corp.*

