



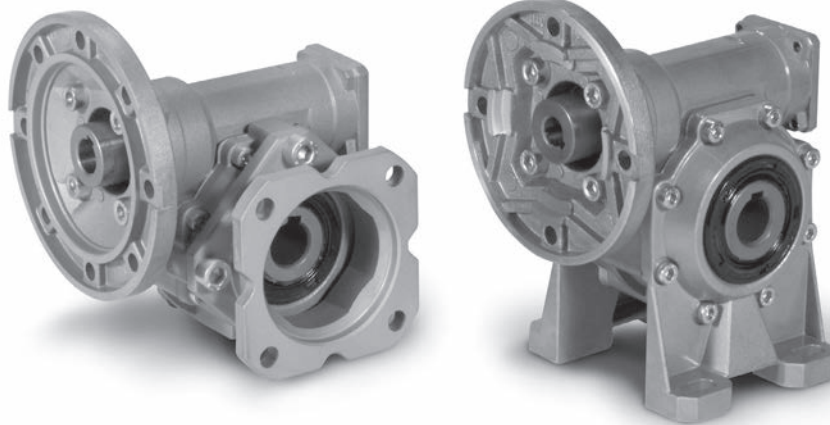
## 2

### RIDUTTORI A VITE SENZA FINE SFK-SRK

### SFK-SRK WORM GEARBOXES

### SCHNECKENGETRIEBE SFK-SRK

2.1	Caratteristiche	<i>Characteristics</i>	Merkmale	16
2.2	Designazione	<i>Designation</i>	Bezeichnung	16
2.3	Lubrificazione e posizioni di montaggio	<i>Lubrication and mounting position</i>	Schmierung und Bezeichnung	17
2.4	Posizione morsettiera	<i>Terminal board position</i>	Lage des Klemmkasten	17
2.5	Dati tecnici	<i>Technical data</i>	Technische Daten	18
2.6	Momenti d'inerzia	<i>Moment of inertia</i>	Trägheitsmoment	23
2.7	Predisposizioni possibili	<i>Possible set-ups</i>	Mögliche Vorrichtungen	24
2.8	Dimensioni	<i>Dimensions</i>	Abmessungen	25
2.9	Accessori	<i>Accessories</i>	Zubehör	28
2.10	Limitatore di coppia cavo passante	<i>Torque limiter with through hollow shaft</i>	Drehmomentbegrenzer mit durchgehender Hohlwelle	29
2.11	Lista parti di ricambio	<i>Spare parts list</i>	Ersatzteilliste	31



### 2.1 Caratteristiche

I riduttori della serie a vite senza fine SFK - SRK si presentano estremamente leggeri grazie alla forma compatta e la carcassa realizzata in alluminio pressofuso. La serie presenta una svariata possibilità di versioni, con e senza piedi e con numerosi accessori che la rendono più versatile nell'impiego delle più svariate tipologie di applicazioni. La vite senza fine è in acciaio legato cementato-temprato ed è rettificata. La corona ha mozzo in ghisa con riporto di fusione in bronzo.

### 2.1 Characteristics

The SFK - SRK worm gearboxes are extremely light thanks to the compact shape of the housing made of cast aluminium. This series features a wide range of versions, with and without feet, with numerous accessories which make it extremely versatile for utilization in various applications. The worm shaft is ground and is made of hardened-casehardened compound steel. The worm wheel features a cast iron hub with bronze casting.

### 2.1 Merkmale

Die Schneckengetriebe der SFK - SRK Serie sind äußerst leicht dank der kompakten Form des Gehäuses aus Aluminiumguss. Die Serie bietet verschiedene Versionen mit und ohne Füße sowie zahlreiche Zubehörteile an, was zur vielseitigen Anwendbarkeit der Getriebe in vielerlei Applikationen dient. Die Schneckenwelle ist aus legierten gehärteten Einsatzstahl und ist geschliffen. Der Zahnkranz verfügt über eine Nabe aus Gusseisen mit Schmelzeinsatz aus Bronze.

### 2.2 Designazione

### 2.2 Designation

### 2.2 Bezeichnung

Riduttore Gearbox Getriebe	Grandezza Size Größe	Versione Version Ausführung	Rapporto rid. Ratio Untersetzung	Predispos.att. mot. Motor coupling Motoranschluss	Posizione di mont. Mounting position Einbaulage	Limitatore di coppia. Torque limiter Drehmomentbegrenzer	Seconda entrata Additional input Zusatzantrieb	Albero uscita Output shaft Abtriebswelle	Braccio di reazione Torque arm Drehmomentstütze
<b>SFK</b>	<b>50</b>	<b>FS</b>	<b>10</b>	<b>80 B14</b>	<b>B3</b>	<b>LD</b>	<b>SeA</b>	<b>H</b>	<b>BR2</b>
 <b>SFK</b>  <b>SRK</b>	30 40 50 63 75	A B V  P  F...S F...D	5 7.5 10 15 20 25 30 40 50 65 80 100	56 ÷ 112 B5  56 ÷ 112 B14	B3 B6 B7 B8 V5 V6	LS  LD	SeA	H  SD  SS  DD	BR1  BR2

#### Versioni

#### Versions

#### Ausführungen

SFK..A\_  
SRK..A\_

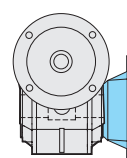
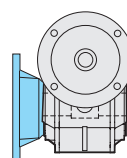
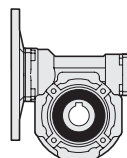
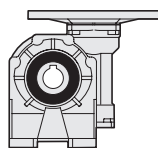
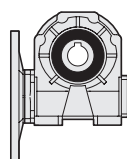
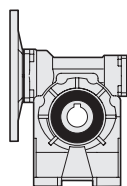
SFK..B\_  
SRK..B\_

SFK..V\_  
SRK..V\_

SFK..P\_  
SRK..P\_

SFK..F\_S  
SRK..F\_S

SFK..F\_D  
SRK..F\_D



Specificare sempre in fase di ordinazione la versione.

Specify the version when ordering.

Bei der Bestellung immer die Bauform angeben.



### 2.3 Lubrificazione

Riduttori a vite senza fine SFK - SRK sono forniti tutti e sempre completi di lubrificante sintetico a base PAG con classe di viscosità ISO 320. Nei corpi in alluminio 30, 40, 50, 63, 75 è presente un solo tappo di riempimento olio.

Quantità di lubrificante (litri)

### 2.3 Lubrication

SFK - SRK worm gearboxes are supplied with PAG synthetic lubricant featuring an ISO 320 viscosity class. Aluminium housings size 30, 40, 50, 63 and 75 have one filling plug only.

Lubricant quantity (liters)

SFK SRK	B3	B6-B7	B8	V5-V6
30		0.015		
40		0.040		
50		0.080		
63		0.160		
75		0.260		

### 2.3 Schmierung

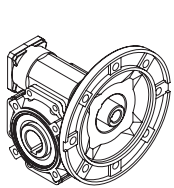
SFK - SRK Schneckengetriebe werden mit PAG synthetischen Schmierstoff Viskositätsklasse ISO 320 geliefert. Gehäuse aus Aluminium Größe 30, 40, 50, 63 und 75 verfügen nur über eine Einfüllschraube.

Schmiermittelmenge (Liter)

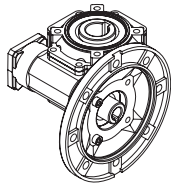
Posizioni di montaggio

Mounting positions

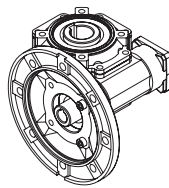
Bezeichnung



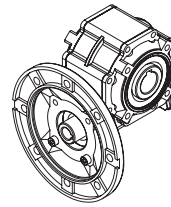
B3



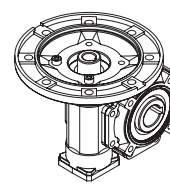
B6



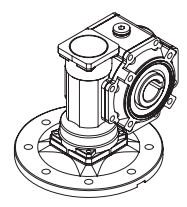
B7



B8



V5

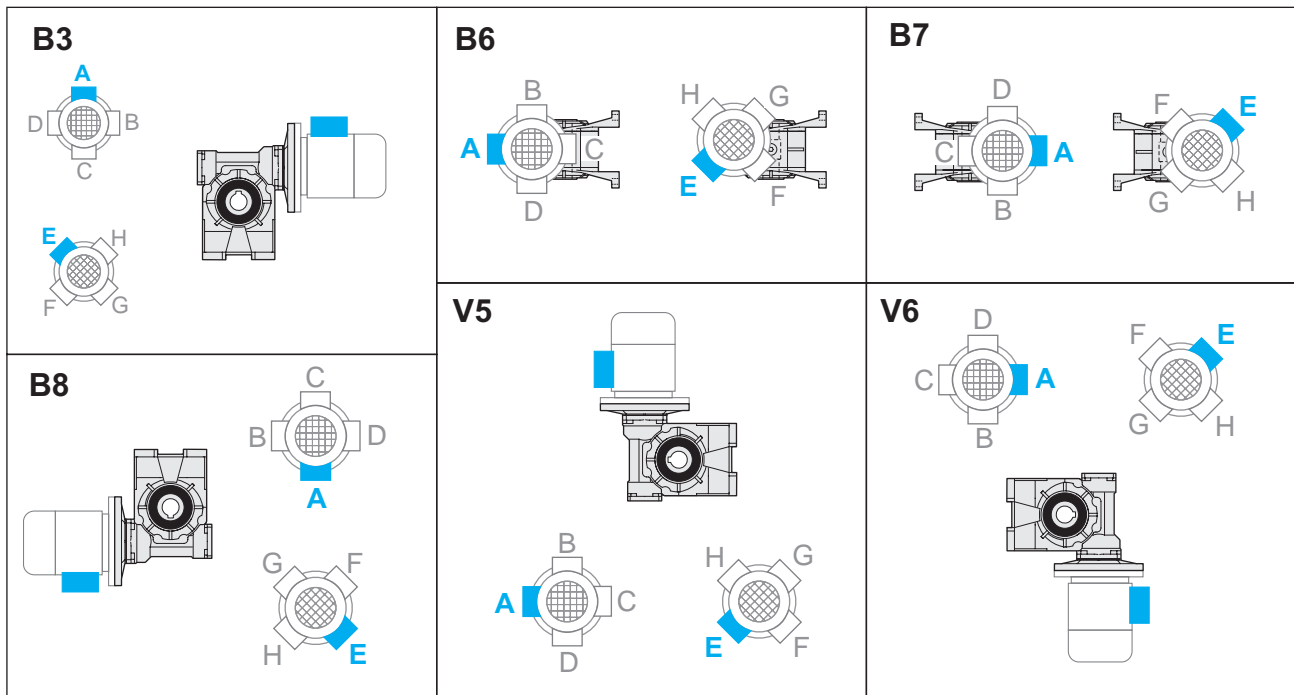


V6

### 2.4 Posizione morsettiera

### 2.4 Terminal board position

### 2.4 Lage des Klemmkasten



**2.5 Dati tecnici**
**2.5 Technical data**
**2.5 Technische Daten**

30	$n_1 = 2800$		SFK				SRK				
	$i_n$	$n_2$ [min <sup>-1</sup> ]	$T_2$ [Nm]	$P_1$ [kW]	$FS'$	input IEC		$T_{2M}$ [Nm]	$P$ [kW]	$R_d$	$P_{10}$
						B5	B14				
Kg 1.2	5	560	5.6	<b>0.37</b>	2.5	63	56	14	0.92	0.89	—
	7.5	373	8	<b>0.37</b>	2.0			16	0.72	0.86	—
	10	280	11	<b>0.37</b>	1.5			16	0.56	0.84	—
	15	187	15	<b>0.37</b>	1.1			17	0.41	0.81	—
	20	140	13	<b>0.25</b>	1.2			15	0.29	0.76	—
	25	112	16	<b>0.25</b>	1.0			16	0.25	0.74	—
	30	93	13	<b>0.18</b>	1.0	56	13	0.18	0.71	—	
	40	70	16	<b>0.18</b>	1.0		16	0.18	0.65	—	
	50	56	14	<b>0.13</b>	1.1		15	0.14	0.62	—	
	65	43	17	<b>0.13</b>	1.0		17	0.13	0.57	—	
	80	35	13	<b>0.09</b>	1.0		13	0.09	0.54	—	
	100	28	16	<b>0.09</b>	0.8		12	0.07	0.52	—	

30	$n_1 = 1400$		SFK				SRK				
	$i_n$	$n_2$ [min <sup>-1</sup> ]	$T_2$ [Nm]	$P_1$ [kW]	$FS'$	input IEC		$T_{2M}$ [Nm]	$P$ [kW]	$R_d$	$P_{10}$
						B5	B14				
Kg 1.2	5	280	6.5	<b>0.22</b>	2.9	63	56	19	0.64	0.87	0.40
	7.5	187	9	<b>0.22</b>	2.2			21	0.49	0.84	0.40
	10	140	12	<b>0.22</b>	1.8			22	0.40	0.82	0.40
	15	93	17	<b>0.22</b>	1.3			22	0.28	0.77	0.30
	20	70	18	<b>0.18</b>	1.1			19	0.19	0.72	0.20
	25	56	15	<b>0.13</b>	1.1			21	0.18	0.69	0.20
	30	47	18	<b>0.13</b>	1.4	56	20	0.15	0.66	0.20	
	40	35	14	<b>0.09</b>	1.4		21	0.13	0.59	0.20	
	50	28	17	<b>0.09</b>	1.1		19	0.10	0.55	0.20	
	65	22	14	<b>0.06</b>	1.3		20	0.09	0.51	0.10	
	80	18	16	<b>0.06</b>	1.1		17	0.06	0.48	0.10	
	100	14	18	<b>0.06</b>	0.8		14	0.05	0.45	0.10	

30	$n_1 = 900$		SFK				SRK				
	$i_n$	$n_2$ [min <sup>-1</sup> ]	$T_2$ [Nm]	$P_1$ [kW]	$FS'$	input IEC		$T_{2M}$ [Nm]	$P$ [kW]	$R_d$	$P_{10}$
						B5	B14				
Kg 1.2	5	180	5.9	<b>0.13</b>	3.9	63	56	23	0.51	0.85	—
	7.5	120	9	<b>0.13</b>	2.9			25	0.38	0.82	—
	10	90	11	<b>0.13</b>	2.3			25	0.30	0.80	—
	15	60	15	<b>0.13</b>	1.6			25	0.21	0.75	—
	20	45	19	<b>0.13</b>	1.2			22	0.15	0.69	—
	25	36	23	<b>0.13</b>	1.1			24	0.14	0.66	—
	30	30	18	<b>0.09</b>	1.2	56	21	0.10	0.63	—	
	40	23	21	<b>0.09</b>	1.1		24	0.10	0.55	—	
	50	18	16	<b>0.06</b>	1.3		21	0.08	0.52	—	
	65	14	20	<b>0.06</b>	1.1		22	0.07	0.48	—	
	80	11	11	<b>0.03</b>	1.7		19	0.05	0.44	—	
	100	9	13	<b>0.03</b>	1.1		15	0.03	0.42	—	

30	$n_1 = 500$		SFK				SRK				
	$i_n$	$n_2$ [min <sup>-1</sup> ]	$T_2$ [Nm]	$P_1$ [kW]	$FS'$	input IEC		$T_{2M}$ [Nm]	$P$ [kW]	$R_d$	$P_{10}$
						B5	B14				
Kg 1.2	5	100	—	—	—	63	56	29	0.36	0.83	—
	7.5	67	—	—	—			31	0.27	0.80	—
	10	50	—	—	—			31	0.21	0.77	—
	15	33	—	—	—			31	0.15	0.72	—
	20	25	—	—	—			26	0.10	0.66	—
	25	20	—	—	—			27	0.09	0.62	—
	30	17	—	—	—	56	25	0.07	0.59	—	
	40	13	—	—	—		28	0.07	0.51	—	
	50	10	—	—	—		25	0.06	0.48	—	
	65	8	—	—	—		25	0.05	0.43	—	
	80	6	—	—	—		20	0.03	0.40	—	
	100	5	—	—	—		16	0.02	0.38	—	

\* **ATTENZIONE:** la coppia massima utilizzabile  $[T_{2M}]$  deve essere calcolata utilizzando il fattore di servizio:  $T_{2M} = T_2 \times FS'$

\* **WARNING:** Maximum allowable torque  $[T_{2M}]$  must be calculated using the following service factor:  $T_{2M} = T_2 \times FS'$

\* **ACHTUNG:** das max. anwendbare Drehmoment  $[T_{2M}]$  muss mit folgendem Betriebsfaktor berechnet werden:  $T_{2M} = T_2 \times FS'$



### 2.5 Dati tecnici

### 2.5 Technical data

### 2.5 Technische Daten

40	$n_1 = 2800$		SFK				SRK				
	$i_n$	$n_2$ [min <sup>-1</sup> ]	$T_2$ [Nm]	$P_1$ [kW]	$FS'$	input IEC		$T_{2M}$ [Nm]	$P$ [kW]	$R_d$	$P_{10}$
						B5	B14				
Kg 2.0	5	560	11.3	<b>0.75</b>	2.2	71	63	25	1.67	0.88	—
	7.5	373	17	<b>0.75</b>	1.8			30	1.3	0.87	—
	10	280	22	<b>0.75</b>	1.4			31	1.1	0.86	—
	15	187	32	<b>0.75</b>	1.0			32	0.76	0.82	—
	20	140	30	<b>0.55</b>	1.0			31	0.57	0.80	—
	25	112	24	<b>0.37</b>	1.1			27	0.41	0.76	—
	30	93	28	<b>0.37</b>	1.3	35	0.47	0.73	—		
	40	70	24	<b>0.25</b>	1.4	33	0.35	0.70	—		
	50	56	28	<b>0.25</b>	1.1	30	0.27	0.65	—		
	65	43	24	<b>0.18</b>	1.2	28	0.21	0.61	—		
	80	35	21	<b>0.13</b>	1.3	26	0.16	0.58	—		
	100	28	24	<b>0.13</b>	1.0	25	0.13	0.55	—		

40	$n_1 = 1400$		SFK				SRK				
	$i_n$	$n_2$ [min <sup>-1</sup> ]	$T_2$ [Nm]	$P_1$ [kW]	$FS'$	input IEC		$T_{2M}$ [Nm]	$P$ [kW]	$R_d$	$P_{10}$
						B5	B14				
Kg 2.0	5	280	16.3	<b>0.55</b>	2.1	71	63	34	1.14	0.87	0.80
	7.5	187	24	<b>0.55</b>	1.7			40	0.92	0.85	0.80
	10	140	31	<b>0.55</b>	1.3			41	0.73	0.83	0.70
	15	93	30	<b>0.37</b>	1.4			42	0.52	0.79	0.50
	20	70	38	<b>0.37</b>	1.0			40	0.39	0.76	0.50
	25	56	31	<b>0.25</b>	1.1			35	0.29	0.72	0.40
	30	47	35	<b>0.25</b>	1.3	41	0.29	0.68	0.40		
	40	35	38	<b>0.22</b>	1.1	38	0.22	0.64	0.30		
	50	28	36	<b>0.18</b>	1.0	38	0.19	0.59	0.30		
	65	22	31	<b>0.13</b>	1.1	35	0.15	0.54	0.20		
	80	18	31	<b>0.11</b>	1.1	33	0.12	0.52	0.20		
	100	14	30	<b>0.09</b>	0.9	28	0.08	0.49	0.20		

40	$n_1 = 900$		SFK				SRK				
	$i_n$	$n_2$ [min <sup>-1</sup> ]	$T_2$ [Nm]	$P_1$ [kW]	$FS'$	input IEC		$T_{2M}$ [Nm]	$P$ [kW]	$R_d$	$P_{10}$
						B5	B14				
Kg 2.0	5	180	16.7	<b>0.37</b>	2.5	71	63	42	0.93	0.85	—
	7.5	120	25	<b>0.37</b>	2.0			48	0.72	0.83	—
	10	90	32	<b>0.37</b>	1.5			48	0.56	0.81	—
	15	60	45	<b>0.37</b>	1.1			49	0.40	0.76	—
	20	45	39	<b>0.25</b>	1.2			46	0.29	0.74	—
	25	36	33	<b>0.18</b>	1.3			42	0.23	0.69	—
	30	30	37	<b>0.18</b>	1.3	48	0.23	0.65	—		
	40	23	33	<b>0.13</b>	1.3	42	0.16	0.61	—		
	50	18	38	<b>0.13</b>	1.1	42	0.14	0.55	—		
	65	14	32	<b>0.09</b>	1.2	39	0.11	0.51	—		
	80	11	37	<b>0.09</b>	1.0	37	0.09	0.48	—		
	100	9	29	<b>0.06</b>	1.0	30	0.06	0.45	—		

40	$n_1 = 500$		SFK				SRK				
	$i_n$	$n_2$ [min <sup>-1</sup> ]	$T_2$ [Nm]	$P_1$ [kW]	$FS'$	input IEC		$T_{2M}$ [Nm]	$P$ [kW]	$R_d$	$P_{10}$
						B5	B14				
Kg 2.0	5	100	7.1	<b>0.09</b>	7.1	71	63	51	0.64	0.83	—
	7.5	67	10	<b>0.09</b>	5.5			58	0.50	0.81	—
	10	50	14	<b>0.09</b>	4.4			59	0.39	0.79	—
	15	33	19	<b>0.09</b>	3.1			59	0.28	0.73	—
	20	25	24	<b>0.09</b>	2.3			55	0.20	0.70	—
	25	20	28	<b>0.09</b>	1.7			48	0.15	0.65	—
	30	17	31	<b>0.09</b>	1.8	58	0.17	0.61	—		
	40	13	39	<b>0.09</b>	1.3	52	0.12	0.57	—		
	50	10	44	<b>0.09</b>	1.2	51	0.11	0.51	—		
	65	8	52	<b>0.09</b>	0.9	45	0.08	0.46	—		
	80	6	61*	<b>0.09</b>	0.7*	42	0.06	0.44	—		
	100	5	71*	<b>0.09</b>	0.4*	32	0.04	0.41	—		

\* **ATTENZIONE:** la coppia massima utilizzabile  $[T_{2M}]$  deve essere calcolata utilizzando il fattore di servizio:  $T_{2M} = T_2 \times FS'$

\* **WARNING:** Maximum allowable torque  $[T_{2M}]$  must be calculated using the following service factor:  $T_{2M} = T_2 \times FS'$

\* **ACHTUNG:** das max. anwendbare Drehmoment  $[T_{2M}]$  muss mit folgendem Betriebsfaktor berechnet werden:  $T_{2M} = T_2 \times FS'$

**2.5 Dati tecnici**
**2.5 Technical data**
**2.5 Technische Daten**

50	$n_1 = 2800$		SFK				SRK				
	$i_n$	$n_2$ [min <sup>-1</sup> ]	$T_2$ [Nm]	$P_1$ [kW]	$FS'$	input IEC		$T_{2M}$ [Nm]	$P$ [kW]	$R_d$	$P_{10}$
						B5	B14				
 3.4	5	560	22.8	1.5	1.9	80	71	44	2.9	0.89	—
	7.5	373	34	1.5	1.5			51	2.3	0.88	—
	10	280	44	1.5	1.2			54	1.8	0.86	—
	15	187	47	1.1	1.2			57	1.3	0.84	—
	20	140	42	0.75	1.4			58	1.0	0.81	—
	25	112	50	0.75	1.0			50	0.75	0.78	—
	30	93	42	0.55	1.3	55	0.71	0.75	—		
	40	70	54	0.55	1.0	80-71-63		54	0.63	0.72	—
	50	56	43	0.37	1.3	71	63	56	0.48	0.68	—
	65	43	53	0.37	1.0			53	0.37	0.64	—
	80	35	41	0.25	1.2			48	0.29	0.61	—
	100	28	35	0.18	1.3			45	0.23	0.58	—

50	$n_1 = 1400$		SFK				SRK				
	$i_n$	$n_2$ [min <sup>-1</sup> ]	$T_2$ [Nm]	$P_1$ [kW]	$FS'$	input IEC		$T_{2M}$ [Nm]	$P$ [kW]	$R_d$	$P_{10}$
						B5	B14				
 3.4	5	280	26.7	0.9	2.3	80	71	62	2.1	0.87	1.2
	7.5	187	40	0.9	1.8			70	1.6	0.86	1.2
	10	140	52	0.9	1.4			73	1.3	0.84	1.0
	15	93	61	0.75	1.2			74	0.90	0.80	0.80
	20	70	59	0.55	1.3			75	0.71	0.78	0.70
	25	56	47	0.37	1.4			65	0.51	0.74	0.60
	30	47	54	0.37	1.5	66	0.46	0.71	0.60		
	40	35	68	0.37	1.2	80-71-63		69	0.38	0.67	0.50
	50	28	53	0.25	1.3	71	63	70	0.33	0.62	0.40
	65	22	64	0.25	1.0			64	0.25	0.58	0.40
	80	18	53	0.18	1.1			60	0.20	0.54	0.40
	100	14	45	0.13	1.2			55	0.16	0.51	0.30

50	$n_1 = 900$		SFK				SRK				
	$i_n$	$n_2$ [min <sup>-1</sup> ]	$T_2$ [Nm]	$P_1$ [kW]	$FS'$	input IEC		$T_{2M}$ [Nm]	$P$ [kW]	$R_d$	$P_{10}$
						B5	B14				
 3.4	5	180	33.8	0.75	2.2	80	71	75	1.66	0.85	—
	7.5	120	50	0.75	1.6			83	1.23	0.84	—
	10	90	66	0.75	1.3			86	0.98	0.82	—
	15	60	68	0.55	1.3			88	0.71	0.78	—
	20	45	59	0.37	1.5			87	0.54	0.75	—
	25	36	70	0.37	1.1			75	0.40	0.71	—
	30	30	79	0.37	1.0	79	0.37	0.67	—		
	40	23	67	0.25	1.1	80-71-63		75	0.28	0.63	—
	50	18	78	0.25	1.0	71	63	80	0.26	0.59	—
	65	14	67	0.18	1.1			74	0.20	0.54	—
	80	11	56	0.13	1.2			67	0.16	0.51	—
	100	9	45	0.09	1.3			58	0.12	0.47	—

50	$n_1 = 500$		SFK				SRK				
	$i_n$	$n_2$ [min <sup>-1</sup> ]	$T_2$ [Nm]	$P_1$ [kW]	$FS'$	input IEC		$T_{2M}$ [Nm]	$P$ [kW]	$R_d$	$P_{10}$
						B5	B14				
 3.4	5	100	14.3	0.18	6.4	80	71	92	1.15	0.84	—
	7.5	67	21	0.18	4.7			100	0.85	0.82	—
	10	50	28	0.18	3.8			104	0.68	0.80	—
	15	33	39	0.18	2.7			106	0.49	0.75	—
	20	25	50	0.18	2.1			104	0.38	0.72	—
	25	20	58	0.18	1.5			88	0.27	0.68	—
	30	17	65	0.18	1.5	98	0.27	0.63	—		
	40	13	81	0.18	1.2	80-71-63		95	0.21	0.59	—
	50	10	93	0.18	1.0	71	63	94	0.18	0.54	—
	65	8	56	0.09	1.5			86	0.14	0.50	—
	80	6	63	0.09	1.2			77	0.11	0.46	—
	100	5	74	0.09	0.8			61	0.07	0.43	—

\* **ATTENZIONE:** la coppia massima utilizzabile  $[T_{2M}]$  deve essere calcolata utilizzando il fattore di servizio:  $T_{2M} = T_2 \times FS'$

\* **WARNING:** Maximum allowable torque  $[T_{2M}]$  must be calculated using the following service factor:  $T_{2M} = T_2 \times FS'$

\* **ACHTUNG:** das max. anwendbare Drehmoment  $[T_{2M}]$  muss mit folgendem Betriebsfaktor berechnet werden:  $T_{2M} = T_2 \times FS'$



### 2.5 Dati tecnici

### 2.5 Technical data

### 2.5 Technische Daten

63	$n_1 = 2800$		SFK				SRK				
	$i_n$	$n_2$ [min <sup>-1</sup> ]	$T_2$ [Nm]	$P_1$ [kW]	$FS'$	input IEC		$T_{2M}$ [Nm]	$P$ [kW]	$R_d$	$P_{10}$
						B5	B14				
Kg 6.3	5	560	45.5	3	1.7	80	90	79	5.2	0.89	—
	7.5	373	68	3	1.3			88	3.9	0.88	—
	10	280	89	3	1.1			94	3.2	0.87	—
	15	187	95	2.2	1.0			98	2.3	0.84	—
	20	140	85	1.5	1.3			110	1.9	0.83	—
	25	112	76	1.1	1.2			93	1.4	0.81	—
	30	93	87	1.1	1.3			110	1.4	0.77	—
	40	70	111	1.1	1.1	71	80	117	1.2	0.74	—
	50	56	90	0.75	1.1			97	0.81	0.70	—
	65	43	81	0.55	1.2			98	0.66	0.67	—
	80	35	65	0.37	1.4			91	0.52	0.64	—
	100	28	75	0.37	1.1			83	0.41	0.60	—

63	$n_1 = 1400$		SFK				SRK				
	$i_n$	$n_2$ [min <sup>-1</sup> ]	$T_2$ [Nm]	$P_1$ [kW]	$FS'$	input IEC		$T_{2M}$ [Nm]	$P$ [kW]	$R_d$	$P_{10}$
						B5	B14				
Kg 6.3	5	280	54	1.8	2.0	80	90	111	3.7	0.88	1.8
	7.5	187	80	1.8	1.5			120	2.7	0.87	1.8
	10	140	105	1.8	1.2			127	2.2	0.85	1.6
	15	93	125	1.5	1.1			130	1.6	0.81	1.2
	20	70	120	1.1	1.2			144	1.3	0.80	1.2
	25	56	118	0.9	1.0			118	0.90	0.77	1.0
	30	47	134	0.9	1.1			142	0.95	0.73	0.90
	40	35	142	0.75	1.1	71	80	150	0.79	0.69	0.80
	50	28	122	0.55	1.0			122	0.55	0.65	0.70
	65	22	100	0.37	1.2			122	0.45	0.61	0.60
	80	18	79	0.25	1.4			113	0.36	0.58	0.60
	100	14	91	0.25	1.1			102	0.28	0.53	0.50

63	$n_1 = 900$		SFK				SRK				
	$i_n$	$n_2$ [min <sup>-1</sup> ]	$T_2$ [Nm]	$P_1$ [kW]	$FS'$	input IEC		$T_{2M}$ [Nm]	$P$ [kW]	$R_d$	$P_{10}$
						B5	B14				
Kg 6.3	5	180	69	1.5	1.9	80	90	135	2.9	0.87	—
	7.5	120	102	1.5	1.4			144	2.1	0.85	—
	10	90	133	1.5	1.1			150	1.7	0.83	—
	15	60	139	1.1	1.1			152	1.2	0.79	—
	20	45	123	0.75	1.4			167	1.0	0.77	—
	25	36	109	0.55	1.3			140	0.71	0.74	—
	30	30	122	0.55	1.3			164	0.74	0.70	—
	40	23	154	0.55	1.1	71	80	171	0.61	0.66	—
	50	18	120	0.37	1.2			141	0.44	0.61	—
	65	14	98	0.25	1.4			139	0.35	0.57	—
	80	11	115	0.25	1.1			128	0.28	0.54	—
	100	9	95	0.18	1.2			115	0.22	0.50	—

63	$n_1 = 500$		SFK				SRK				
	$i_n$	$n_2$ [min <sup>-1</sup> ]	$T_2$ [Nm]	$P_1$ [kW]	$FS'$	input IEC		$T_{2M}$ [Nm]	$P$ [kW]	$R_d$	$P_{10}$
						B5	B14				
Kg 6.3	5	100	20	0.25	8.3	80	90	169	2.08	0.85	—
	7.5	67	30	0.25	5.9			177	1.5	0.83	—
	10	50	39	0.25	4.7			182	1.2	0.81	—
	15	33	55	0.25	3.4			184	0.84	0.76	—
	20	25	71	0.25	2.8			200	0.70	0.74	—
	25	20	85	0.25	1.9			165	0.49	0.71	—
	30	17	94	0.25	2.1			195	0.52	0.65	—
	40	13	118	0.25	1.7	71	80	201	0.43	0.62	—
	50	10	135	0.25	1.2			165	0.31	0.56	—
	65	8	163	0.25	1.0			161	0.25	0.52	—
	80	6	137	0.18	1.1			148	0.19	0.50	—
	100	5	77	0.09	1.6			122	0.14	0.45	—

\* **ATTENZIONE:** la coppia massima utilizzabile  $[T_{2M}]$  deve essere calcolata utilizzando il fattore di servizio:  $T_{2M} = T_2 \times FS'$

\* **WARNING:** Maximum allowable torque  $[T_{2M}]$  must be calculated using the following service factor:  $T_{2M} = T_2 \times FS'$

\* **ACHTUNG:** das max. anwendbare Drehmoment  $[T_{2M}]$  muss mit folgendem Betriebsfaktor berechnet werden:  $T_{2M} = T_2 \times FS'$

### 2.5 Dati tecnici

### 2.5 Technical data

### 2.5 Technische Daten

75	$n_1 = 2800$		SFK				SRK					
	$i_n$	$n_2$ [min <sup>-1</sup> ]	$T_2$ [Nm]	$P_1$ [kW]	FS'	input IEC		$T_{2M}$ [Nm]	P [kW]	Rd	$P_{10}$	
						B5	B14					
Kg 7.6	7.5	373	125	5.5	1.0	90		131	5.8	0.89	—	
	10	280	120	4	1.2			143	4.8	0.88	—	
	15	187	131	3	1.2			100	152	3.5	0.85	—
	20	140	171	3	1.0			112	172	3.0	0.84	—
	25	112	154	2.2	1.0			155	2.2	0.82	—	
	30	93	120	1.5	1.4	71(B5)-80-90-100-112		170	2.1	0.78	—	
	40	70	154	1.5	1.2	80		183	1.8	0.75	—	
	50	56	136	1.1	1.2			90	166	1.3	0.73	—
	65	43	114	0.75	1.4	71	80 90	155	1.0	0.69	—	
	80	35	135	0.75	1.1	80		145	0.80	0.66	—	
100	28	159	0.75	0.8	90	131		0.62	0.62	—		

75	$n_1 = 1400$		SFK				SRK					
	$i_n$	$n_2$ [min <sup>-1</sup> ]	$T_2$ [Nm]	$P_1$ [kW]	FS'	input IEC		$T_{2M}$ [Nm]	P [kW]	Rd	$P_{10}$	
						B5	B14					
Kg 7.6	7.5	187	178	4	1.0	90		180	4.0	0.87	2.5	
	10	140	176	3	1.1			193	3.3	0.86	2.3	
	15	93	187	2.2	1.1			100	202	2.4	0.83	1.9
	20	70	199	1.8	1.1			112	226	2.0	0.81	1.7
	25	56	200	1.5	1.0			202	1.5	0.78	1.5	
	30	47	167	1.1	1.3	71(B5)-80-90-100-112		220	1.5	0.74	1.2	
	40	35	213	1.1	1.1	80		235	1.2	0.71	1.1	
	50	28	206	0.9	1.0			90	211	0.92	0.67	1.0
	65	22	154	0.55	1.3	71	80 90	195	0.70	0.63	0.90	
	80	18	180	0.55	1.0	80		182	0.55	0.60	0.80	
100	14	210	0.55	0.8	90	182		0.43	0.56	0.70		

75	$n_1 = 900$		SFK				SRK					
	$i_n$	$n_2$ [min <sup>-1</sup> ]	$T_2$ [Nm]	$P_1$ [kW]	FS'	input IEC		$T_{2M}$ [Nm]	P [kW]	Rd	$P_{10}$	
						B5	B14					
Kg 7.6	7.5	120	205	3	1.0	90		215	3.1	0.86	—	
	10	90	197	2.2	1.2			229	2.6	0.84	—	
	15	60	231	1.8	1.0			100	237	1.9	0.81	—
	20	45	250	1.5	1.1			112	263	1.6	0.78	—
	25	36	221	1.1	1.1			233	1.2	0.76	—	
	30	30	249	1.1	1.0	71(B5)-80-90-100-112		254	1.1	0.71	—	
	40	23	214	0.75	1.3	80		270	0.94	0.67	—	
	50	18	186	0.55	1.3			90	241	0.71	0.64	—
	65	14	151	0.37	1.5	71	80 90	221	0.54	0.59	—	
	80	11	177	0.37	1.2	80		205	0.43	0.56	—	
100	9	203	0.37	0.9	90	184		0.34	0.52	—		

75	$n_1 = 500$		SFK				SRK					
	$i_n$	$n_2$ [min <sup>-1</sup> ]	$T_2$ [Nm]	$P_1$ [kW]	FS'	input IEC		$T_{2M}$ [Nm]	P [kW]	Rd	$P_{10}$	
						B5	B14					
Kg 7.6	7.5	67	90	0.75	2.9	90		265	2.2	0.84	—	
	10	50	118	0.75	2.4			279	1.8	0.82	—	
	15	33	167	0.75	1.7			100	286	1.3	0.78	—
	20	25	216	0.75	1.5			112	315	1.1	0.75	—
	25	20	260	0.75	1.1			278	0.80	0.72	—	
	30	17	288	0.75	1.1	71(B5)-80-90-100-112		302	0.79	0.67	—	
	40	13	265	0.55	1.2	80		317	0.66	0.63	—	
	50	10	210	0.37	1.3			90	282	0.50	0.59	—
	65	8	251	0.37	1.0	71	80 90	257	0.38	0.55	—	
	80	6	197	0.25	1.2	80		238	0.30	0.52	—	
100	5	161	0.18	1.3	90	206		0.23	0.47	—		

\* **ATTENZIONE:** la coppia massima utilizzabile  $[T_{2M}]$  deve essere calcolata utilizzando il fattore di servizio:  $T_{2M} = T_2 \times FS'$

\* **WARNING:** Maximum allowable torque  $[T_{2M}]$  must be calculated using the following service factor:  $T_{2M} = T_2 \times FS'$

\* **ACHTUNG:** das max. anwendbare Drehmoment  $[T_{2M}]$  muss mit folgendem Betriebsfaktor berechnet werden:  $T_{2M} = T_2 \times FS'$





2.6 **Momenti d'inerzia [Kg·cm<sup>2</sup>]**  
(riferiti all'albero veloce in entrata)

2.6 **Moments of inertia [Kg·cm<sup>2</sup>]**  
(referred to input shaft)

2.6 **Trägheitsmoment [Kg·cm<sup>2</sup>]**  
(bez. Antriebswelle)

30

i <sub>n</sub>	SRK	SFK	
		B5 - B14	
		IEC 56	IEC 63
5	0.077	0.130	0.127
7.5	0.058	0.112	0.109
10	0.049	0.103	0.100
15	0.042	0.097	0.094
20	0.039	0.095	0.092
25	0.038	0.094	0.091
30	0.038	0.093	0.090
40	0.037	0.093	0.090
50	0.037	0.092	0.089
65	0.024	0.079	-
80	0.024	0.079	-
100	0.024	0.078	-

40

i <sub>n</sub>	SRK	SFK		
		B5 - B14		
		IEC 56	IEC 63	IEC 71
5	0.242	-	0.391	0.463
7.5	0.170	-	0.321	0.356
10	0.144	-	0.272	0.347
15	0.125	-	0.266	0.340
20	0.094	-	0.263	0.338
25	0.091	-	0.262	0.337
30	0.113	-	0.262	0.337
40	0.087	-	0.261	0.337
50	0.087	0.182	0.261	-
65	0.069	0.182	0.261	-
80	0.069	0.182	0.261	-
100	0.068	0.182	0.261	-

50

i <sub>n</sub>	SRK	SFK		
		B5 - B14		
		IEC 63	IEC 71	IEC 80
5	0.744	-	0.922	1.046
7.5	0.499	-	0.684	0.935
10	0.417	-	0.602	0.853
15	0.358	-	0.543	0.794
20	0.281	-	0.523	0.774
25	0.272	-	0.513	0.764
30	0.323	-	0.508	0.759
40	0.262	0.311	0.503	0.755
50	0.183	0.311	0.501	-
65	0.136	0.311	0.499	-
80	0.136	0.310	0.498	-
100	0.135	0.309	0.498	-

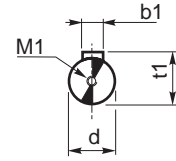
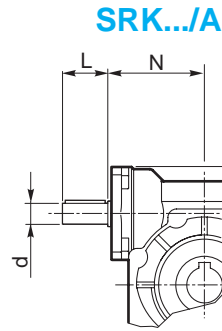
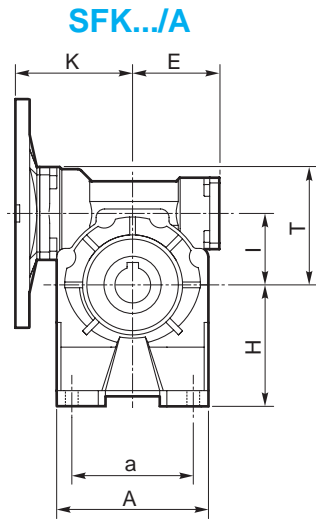
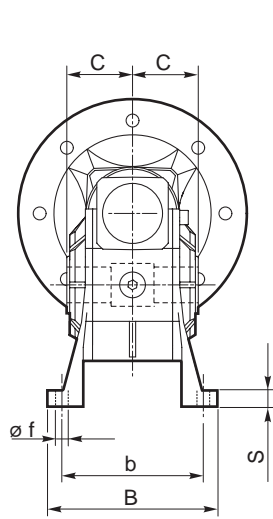
63

i <sub>n</sub>	SRK	SFK		
		B5 - B14		
		IEC 71	IEC 80	IEC 90
5	1.853	-	2.431	2.671
7.5	1.363	-	1.949	2.269
10	1.158	-	1.744	2.063
15	1.011	-	1.597	1.916
20	0.710	-	1.545	1.864
25	0.679	-	1.514	1.833
30	0.922	-	1.508	1.828
40	0.660	0.958	1.495	-
50	0.653	0.958	1.488	-
65	0.552	0.955	1.484	-
80	0.550	0.953	1.482	-
100	0.549	0.952	1.481	-

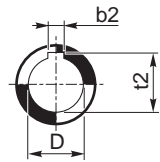
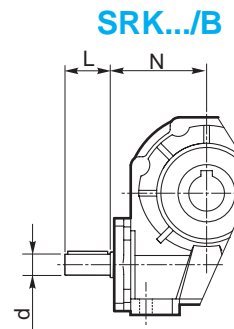
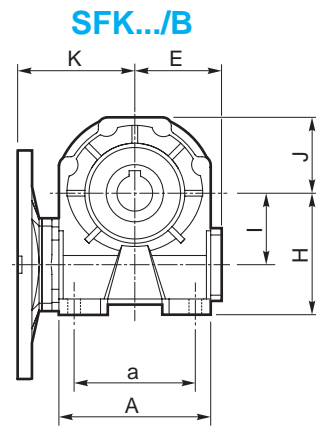
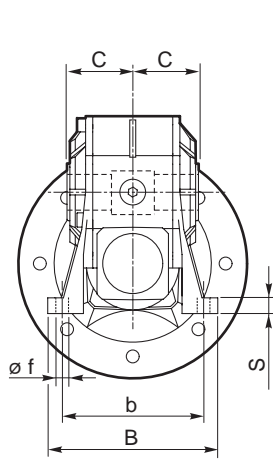
75

i <sub>n</sub>	SRK	SFK			
		B5 - B14			
		IEC 71	IEC 80	IEC 90	IEC 100-112
7.5	2.970	-	-	3.712	4.462
10	2.492	-	-	3.234	3.984
15	2.151	-	-	2.893	3.643
20	1.567	-	-	2.774	3.523
25	1.501	-	-	2.709	3.458
30	1.946	1.615	1.575	2.689	3.438
40	1.451	-	1.573	2.659	-
50	1.435	-	1.570	2.642	-
65	1.158	1.609	1.569	2.633	-
80	1.153	1.605	1.565	2.629	-
100	1.150	1.602	1.562	2.626	-

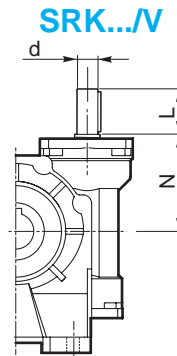
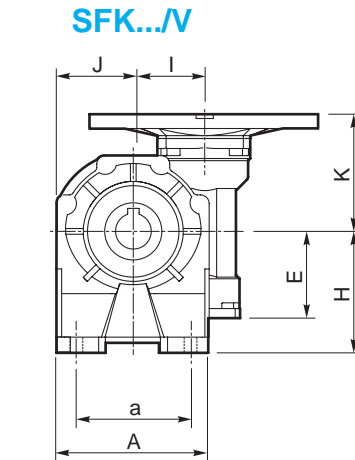
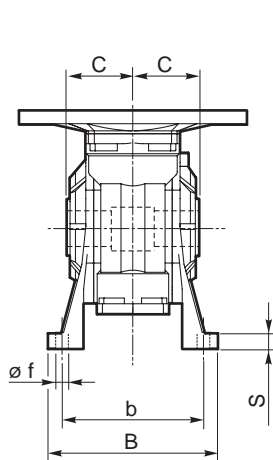




SRK	Albero entrata Input shaft Eingangswelle			
	d (j6)	b1	t1	M1
30	9	3	10.2	M4x10
40	11	4	12.5	M4x10
50	14	5	16	M5x13
63	18	6	20.5	M6x16
75	19	6	21.5	M6x16

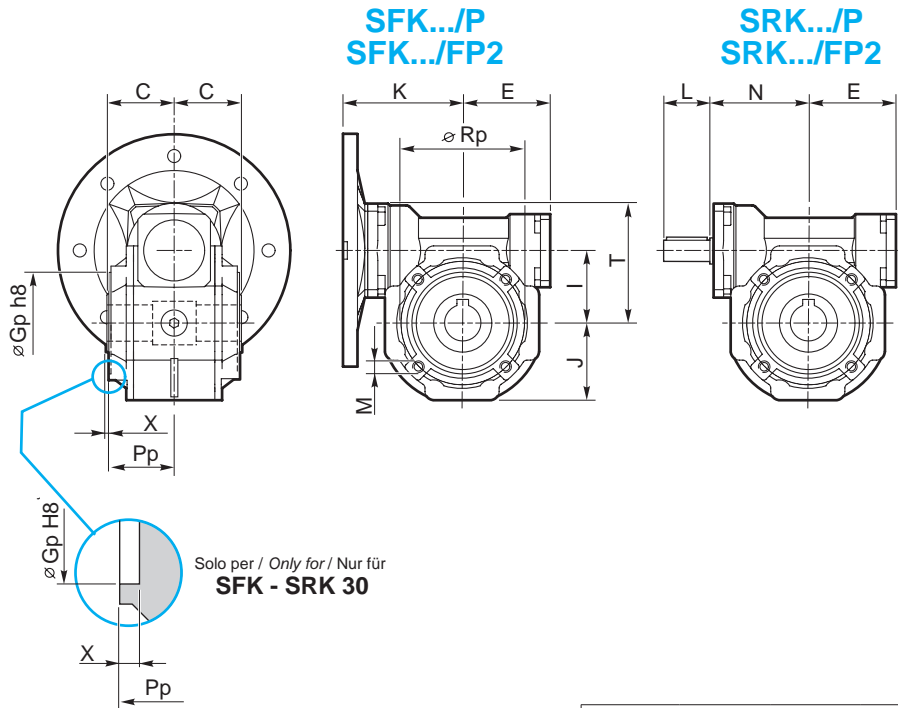


SFK SRK	Albero lento cavo Hollow output shaft Ausgangshohlwelle		
	D H8	b2	t2
30	14	5	16.3
40	19	6	21.8
50	24	8	27.3
63	25	8	28.3
75	28 (30)	8 (8)	31.3 (33.3)

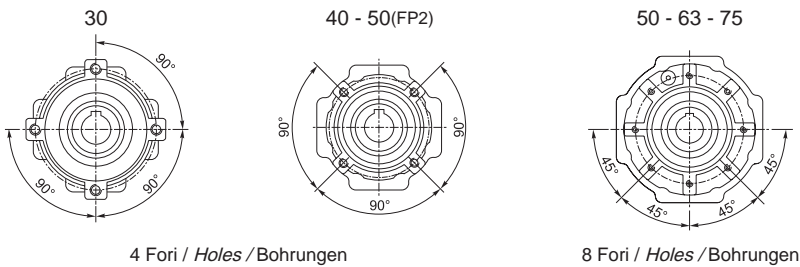


A, B, V

SFK SRK	A	a	B	b	C	E	f	H	I	J	K	L	N	s	T
30	67	52 ÷ 40	78	66	31.5	41	6.5	52	31.5	37.5	57	20	47	5	52.5
40	87	70	100	80 ÷ 88	41	51	7	71	40	43.5	75	22	64	9	68.5
50	115	85	119	96 ÷ 102	49	60	9	85	50	53.5	82	30	74	11	82.5
63	127.5	95	136	111	60	71	11	100	63	64	97	45	80	12	100.5
75	155.5	120	140	112 ÷ 120	60	85	11	115	75	78	114	40	98	12	116.5



Flangia pendolare / Side cover for shaft mounting / Flansch für Drehmomentstütze



4 Fori / Holes / Bohrungen

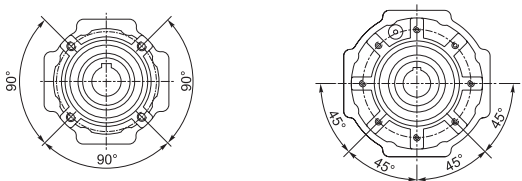
8 Fori / Holes / Bohrungen

P					
SFK SRK	30	40	50	63	75
G <sub>p</sub>	42° H8	60 h8	70 h8	70 h8	80 h8
M	M6x8	M6X10	M8x10	M8x14	M8x14
P <sub>p</sub>	36	38	46	57.5	57
R <sub>p</sub>	56	83	85	85	100
X	5.5	2	2	3.5	2

\* Vedere dettaglio (SFK - SRK 30/P)  
Pls refer to above detail (SFK - SRK 30/P)  
Siehe o.g. Einzelheit (SFK - SRK 30/P)

FP2					
SFK SRK	30	40	50	63	75
G <sub>p</sub> h8	—	50 h8	60 h8	—	—
M	—	M6X8.5	M6X9	—	—
P <sub>p</sub>	—	38	46	—	—
R <sub>p</sub>	—	65	75	—	—
X	—	2	2	—	—

Flangia pendolare speciale / Side special cover for shaft mounting / Flansch für Drehmomentstütze nötig.



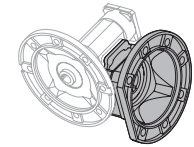
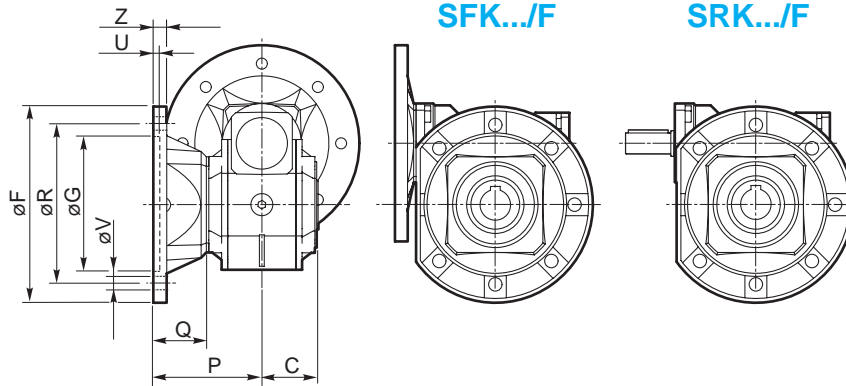
4 Fori / Holes / Bohrungen  
Solo per / Only for / Nur für  
**SFK - SRK 40 / F1**  
**SFK - SRK 40 / F2**

8 Fori / Holes / Bohrungen  
Solo per / Only for / Nur für  
**SFK - SRK 63 / F..**  
**SFK - SRK 75 / F..**

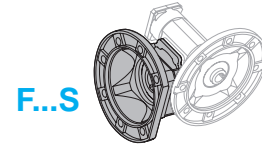
SFK SRK	40	63	75
G <sub>p</sub> h8	50 h8	75	90
M	M6X8.5	M8x14	M8x14
P <sub>p</sub>	38	45	46
R <sub>p</sub>	65	90	110
X	2	10	13



Flangia uscita / Output flange / Abtriebsflansch

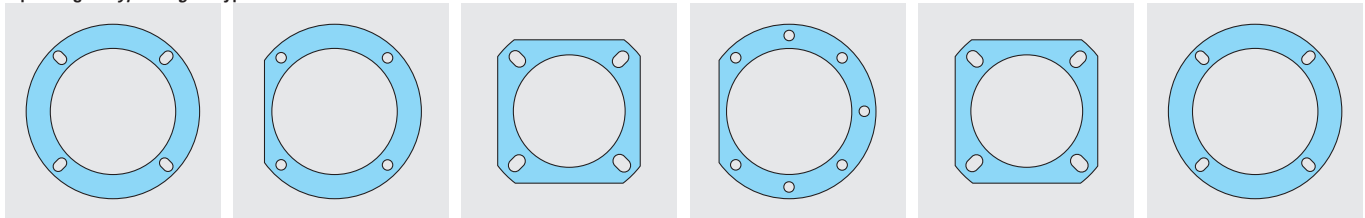


F...D  
Standard

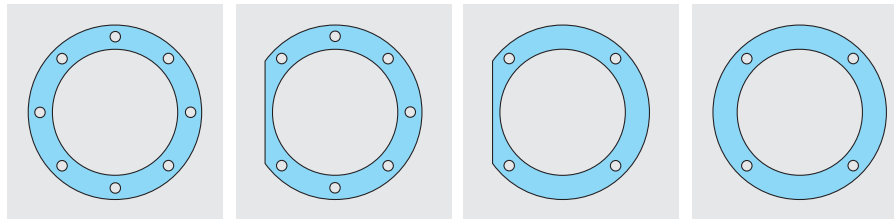


F...S

Tipo flangia / Type flange / Typ flansch



30		40			50	
F	F	F1*	F2*	F	F1	F2 - F3



63	63	75	63	75	75
F*	F1*	F* - F1*	F2*	F2* - F3* F3A*	F4*

**N.B.**

La flangia uscita può essere montata solo sul riduttore in versione P.  
Le flangie indicate con (\*) necessitano di un coperchio speciale.

The output flange is to be mounted to the gearbox P version only.  
A special cover is required for the flanges marked by (\*).

Der Abtriebsflansch darf nur auf das Getriebe Version P montiert werden.  
Für die Flansche mit (\*) ausgezeichnet ist einen Sonderdeckel nötig.

SFK SRK	Tipo flangia Type flange Typ flansch	C	F		G (H8)	P	Q	R	U	V			Z
												ø	
30	F	31.5	71		40	50.5	19	56 ÷ 60	3	n° 4		6.5	6
	F		140		95	82	41	115	5	n° 4		9	9
40	F1*	41		85	60	68.5	27.5	75 ÷ 90	4	n° 4		9	8
	F2*		85	60	98.5	57.5	75 ÷ 90	4	n° 4		9	8	
50	F	49	160		110	92	43	130	5		n° 7	11	11
	F1		94	70	92.5	43.5	85 ÷ 100	5	n° 4		11	10	
	F2		125	70	73	24	90 ÷ 100	5	n° 4		10.5	10	
	F3		125	70	85	36	90	5	n° 4		10.5	10	
63	F*	60	180		115	116	56	150	7		n° 8	11	12
	F1*		180	115	86	26	150	5		n° 7	11	11	
	F2*		200	130	102	42	165	6	n° 4		11	11	
75	F*	60	200		130	111	51	165	6		n° 7	13	13
	F1*		200	130	85	25	165	6		n° 7	13	13	
	F2*		175	115	116	56	150	6	n° 4		11	12	
	F3*		175	115	85	25	150	5	n° 4		11	12	
	F3A*		160	110	85	25	130	5	n° 4		11	12	
	F4*		160	110	101	41	130	6	n° 4		11	12	

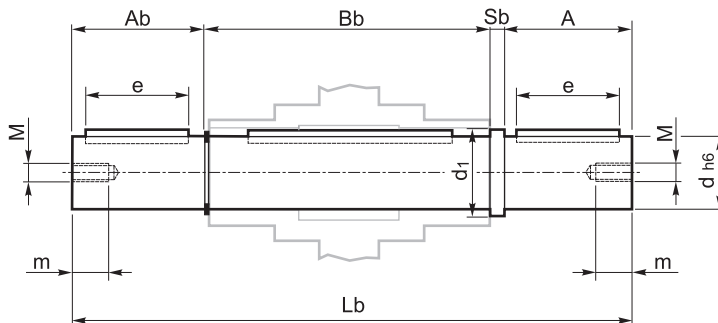
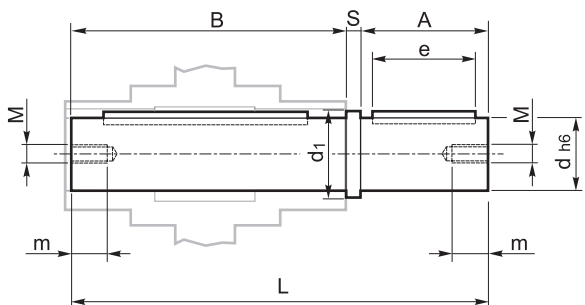
### 2.9 Accessori

### 2.10 Accessories

### 2.9 Zubehör

Albero lento semplice / *Single output shaft* / Standard Abtriebswelle

Albero lento doppio / *Double output shaft* / Doppelte Abtriebswelle



SFK SRK	A	Ab	B	Bb	d (h6)	d1	e	L	Lb	M	m	S	Sb
30	30	29	62	64	14	18.5	20	94.5	126	M6	16	2.5	2.5
40	40	39	77	83.2	19	24.5	30	120	165.2	M6	16	3	3
50	50	49	90	99.2	24	29.5	40	143.5	201.7	M8	22	3.5	3.5
63	60	59	119	121.2	25	29.5	50	183	244.2	M8	22	4	4
75	60	59	119	121.5	28	34.5	50	183	244.5	M8	22	4	4

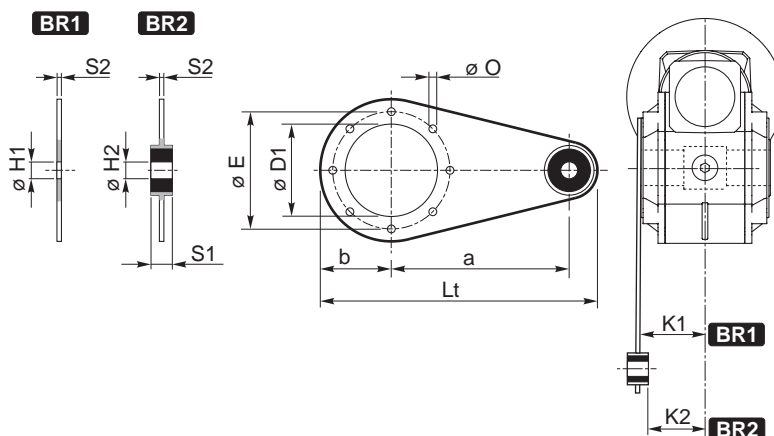
**BR1** Senza boccola / *Without bush* / Ohne Büchse

SFK SRK	a	b	D1	E	H1	K1	Lt	O	S1	S2
30	70	34.5	42	56	9	36	119.5	7	—	4
40	90	50	60	83	10	38	165	7	—	4
50	100	55	70	85	10	46	180	9	—	4
63	150	53	70	85	10	57.5	230	9	—	6
75	—	—	—	—	—	—	—	—	—	—

**BR2** Con boccola / *With bush* / Mit Büchse

SFK SRK	a	b	D1	E	H2	K2	Lt	O	S1	S2
30	—	—	—	—	—	—	—	—	—	—
40	90	50	60	83	8	33	165	7	14	4
50	100	50	70	85	10	40.5	180	9	14	4
63	150	53	70	85	10	50.5	230	9	20	6
75	150	62	80	100	10	50	240	9	20	6

Braccio di reazione / *Torque arm* / Drehmomentstütze

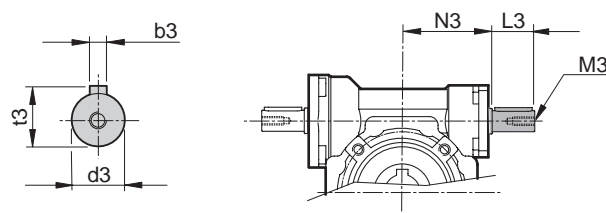
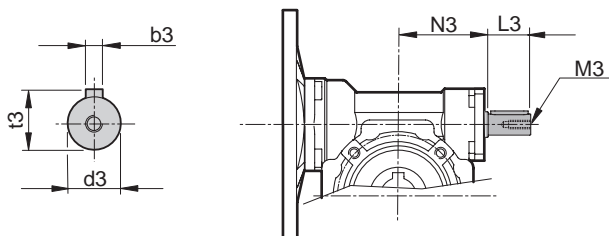


Entrata supplementare  
(vite bisorgente)

Additional input  
(double extended input shaft)

Zusatzantrieb  
(beidseitige Welle)

S.e.A.



SFK	d3 (j6)	L3	M3	N3	b3	t3
30	9	15	M4x10	42.5	3	10.2
40	11	20	M4x12	52.5	4	12.5
50	14	25	M5x13	62.5	5	16
63	19	30	M8x20	72.5	6	21.5
75	24	40	M8x20	89	8	27

SRK	d3 (j6)	L3	M3	N3	b3	t3
30	9	20	M4x10	42.5	3	10.2
40	11	22	M4x10	52.5	4	12.5
50	14	30	M5x13	62.5	5	16
63	18	45	M6x16	72.5	6	20.5
75	19	40	M6x16	89	6	21.5

Opzioni disponibili:

Available options:

Auf Anfrage ist folgendes Zubehör  
erhältlich:

Cuscinetti a rulli conici corona

Tapered roller bearing for worm wheel

Kegelrollenlager für Schneckenrad



### 2.10 Limitatore di coppia cavo passante

Il limitatore di coppia viene consigliato in tutte quelle applicazioni che richiedono una limitazione sulla coppia trasmissibile per proteggere l'impianto e/o preservare il riduttore evitando sovraccarichi o urti indesiderati quanto inaspettati.

È un dispositivo con albero dotato di cavo passante, con funzionamento a frizione, ed è integrato al riduttore, presentando un ingombro limitato.

Concepito per lavorare a bagno d'olio, il dispositivo risulta affidabile nel tempo ed è esente da usura se non viene mantenuto in condizioni prolungate di slittamento (condizione che si verifica quando la coppia presenta valori superiori a quelli di taratura).

La taratura è facilmente regolabile dall'esterno attraverso il serraggio di una ghiera autobloccante che porta a compressione le 4 molle a tazza disposte tra loro in serie.

Il dispositivo non consente:

- l'impiego di cuscinetti a rulli conici in uscita
- funzionamento prolungato in condizioni di slittamento.

Nella tabella seguente vengono riportati i valori delle coppie di slittamento  $M_{2S}$  in funzione del n° di giri della ghiera.

I valori di taratura presentano una tolleranza del  $\pm 10\%$  e si riferiscono ad una condizione statica.

In condizioni dinamiche è da notare che la coppia di slittamento assume valori diversi a seconda del tipo e/o modalità in cui si verifica il sovraccarico: con valori maggiori in caso di carico uniformemente crescente rispetto a valori più contenuti in seguito al verificarsi di picchi improvvisi di carico.

**NOTA:** quando si supera il valore di taratura si ha slittamento. Il coefficiente di attrito tra le superfici di contatto da statico diventa dinamico e la coppia trasmessa cala del 30% circa.

E' quindi opportuno prevedere uno stop per poter ripartire al valore di taratura iniziale.

E' importante notare che la coppia di slittamento non resta sempre la medesima durante tutta la vita del limitatore.

Tende infatti a diminuire in rapporto al numero e alla durata degli slittamenti che, rodando le superfici di contatto, ne aumentano il rendimento.

È quindi opportuno verificare periodicamente, soprattutto durante la fase di rodaggio, la taratura del dispositivo.

Là dove sia richiesto un errore più contenuto nella taratura, è necessario testare la coppia trasmissibile sull'impianto.

Il dispositivo viene consegnato tarato alla coppia riportata a catalogo  $T_{2M}$  salvo diversa indicazione espressa in fase di ordinazione.

### 2.10 Torque limiter with through hollow shaft

*The use of a torque limiter is advisable when the application requires the limitation of the transmissible torque to safeguard the plant and/or the gearbox from unexpected or undesired overloads.*

*The torque limiter is equipped with a through hollow shaft and a friction clutch. It is integrated in the gearbox, therefore space requirement is limited.*

*Designed to be working in oil bath, the device is reliable over time and is not subject to wear unless in case of operation with prolonged slipping (it occurs when the torque values are higher than the calibration values).*

*Calibration can be easily adjusted from outside by tightening of the self-locking ring nut, which causes the compression of the 4 Belleville washers arranged in series.*

*The device does not go together with:*

- the use of tapered roller bearings at output
- prolonged operation under slipping conditions

*The following table shows the values of  $M_{2S}$  slipping torques depending on the number of revolutions of the ring nut.*

*Calibration values feature a  $\pm 10\%$  tolerance and refer to static conditions.*

*Under dynamic conditions the values of the slipping torque will change according to the type of overload: the values are higher if the load increase is uniform; the values are lower if sudden load peaks occur.*

**NOTE:** *Slipping occurs when the setting values are exceeded.*

*The friction coefficient between the contact surfaces from static becomes dynamic and the transmitted torque is approx. 30% lower.*

*It is advisable to have a stop first in order to have a restart based on the initial setting value.*

*It is important to note that the slipping torque is not the same for the whole life of the torque limiter.*

*It usually decreases in connection with the numbers and the duration of the slipping which because of the surfaces' lap- ping will increase the efficiency.*

*For this reason it is advisable to check the calibration of the device at regular intervals, specially during the running-in period.*

*Should a smaller calibration error be required, it is necessary to test the transmissible torque on the plant.*

*The device is supplied already calibrated at the torque reported in the catalogue  $T_{2M}$ , unless otherwise specified in the order.*

### 2.10 Drehmomentenbegrenzer mit durchgehender Hohlwelle

Die Anwendung eines Drehmomentbegrenzers wird empfohlen, um die Anlage und/oder das Getriebe gegen ungewünschte und unerwartete Überbelastungen zu schützen.

Es handelt sich um eine Vorrichtung mit einer durchgehenden Hohlwelle.

Er ist in dem Getriebe integriert, d.h. der Raumbedarf ist klein. Der Begrenzer wurde für Betrieb in einem Ölbad entworfen.

Er ist zuverlässig und verschleißfrei (nur im Falle eines dauerhaften Rutschens entsteht Verschleiß, hier ist das Drehmoment größer als der eingestellte Eichwert).

Die Eichung kann mühelos von aussen durch das Anziehen einer selbstsperrenden Mutter ausgeführt werden, dadurch wird der Druck auf die 4 wechselseitig angeordneten Tellerfedern erhöht.

Die Vorrichtung sieht das folgende nicht vor:

- die Verwendung von Kegelrollenlager am Abtrieb
- Längerer Rutschbetrieb

Die nachstehende Tabelle zeigt die Werte der Rutschmomente  $M_{2S}$  abhängig von der Anzahl der Umdrehungen der Mutter.

Die Eichwerte weisen  $\pm 10\%$  Toleranz auf und beziehen sich auf statische Bedingungen.

Unter dynamischen Bedingungen hat das Rutschmoment verschiedene Werte je nach Art der Überbelastung. Die Werte sind höher, wenn die Belastung gleichmäßig zunimmt; sie sind niedriger im Falle von plötzlichen Belastungsspitzen.

**BEMERKUNG:** Rutschen tritt auf, wenn die eingestellten Werte überschritten werden. Der Reibungsfaktor zwischen den Berührungsflächen wird dynamisch anstatt statisch und das übertragene Drehmoment sinkt um ca. 30%.

Es ist daher ratsam, vor dem erneuten Anfahren anzuhalten, um die ursprünglichen Drehmomentwerte zu erreichen.

Es ist wichtig zu beachten, dass das Rutschmoment über die gesamte Lebensdauer der Rutschkupplung nicht konstant bleibt, sondern üblicherweise in Verbindung mit längeren Rutschzyklen aufgrund der eingelaufenen Berührungsflächen abnimmt.

Deswegen ist es ratsam, die Eichung der Vorrichtung besonders während der Einlaufzeit zu prüfen.

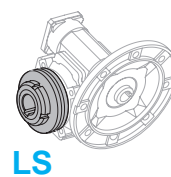
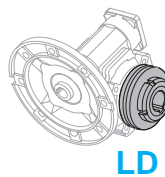
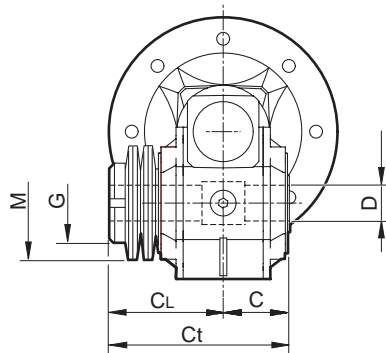
Falls ein niedrigerer Eichfehler gewünscht ist, sollte das übertragbare Drehmoment auf der Anlage getestet werden.

Wenn die Vorrichtung geliefert wird, ist sie schon auf das im Katalog  $T_{2M}$  angegebenen Drehmoment geeicht, ausser wenn es in der Bestellung anders angegebene wird.

### 2.10 Limitatore di coppia cavo passante

### 2.10 Torque limiter with through hollow shaft

### 2.10 Drehmomentenbegrenzer mit durchgehender Hohlwelle



SFK SRK	C	CL	Ct	D (H8)	M	G
30	31.5	55.5	87	14	50x25.4x1.25	M25X1.5
40	41	67	108	19	56x30.5x1.5	M30X1.5
50	49	79	128	24	45x40.5x2	M40X1.5
63	60	97	157	25	71x40.5x2	M40X1.5
75	60	100	160	28 (30)	90x51x2.7	M50X1.5

( ) A richiesta / On request / Auf Anfrage

Nella versione con limitatore non è prevista la fornitura degli alberi lenti.

Il dispositivo viene consegnato tarato alla coppia riportata a catalogo  $T_{2M}$  salvo diversa indicazione espressa in fase di ordinazione.

*The version with torque limiter is supplied without output shafts.*

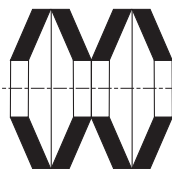
*The device is supplied already calibrated at the torque reported in the catalogue  $T_{2M}$ , unless otherwise specified in the order.*

Die Version mit Drehmomentbegrenzer wird ohne Abtriebswellen geliefert.

Wenn die Vorrichtung geliefert wird, ist sie schon auf das im Katalog mit  $T_{2M}$  angegebene Drehmoment geeicht, ausser wenn es in der Bestellung anders angegeben wird.

SFK SRK	N°. giri della ghiera di regolazione / N°. revolutions of ring nut / Nr. Umdrehungen der Mutter															
	3/4	1	1 1/4	1 1/2	1 3/4	2	2 1/4	2 1/2	2 3/4	3	3 1/4	3 1/2	3 3/4	4	4 1/4	4 1/2
	$M_{2S}$ [Nm]															
30		15	18	22	27	32										
40	23	30	35	40	45	50	60									
50		45	60	70	80	90	100	110								
63			80	90	100	110	120	130	140	150	160	170	180	190	200	
75		140	160	180	200	220	240	260	280	300						

Disposizione delle molle  
Washers' arrangement  
Lage der Feder



**IN SERIE** (min. coppia, max. sensibilità)  
**SERIES** (min. torque, max sensitivity)  
**SERIE** (min. Moment, max. Empfindlichkeit)



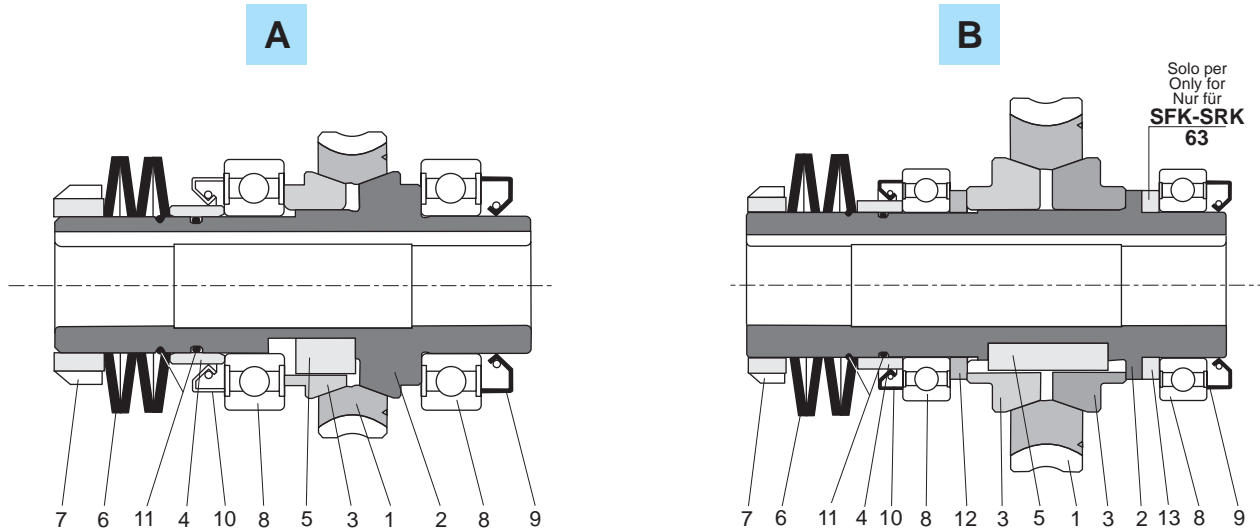


### SFK - SRK

Limitatore di coppia cavo passante

Torque limiter with through hollow shaft

Drehmomentbegrenzer mit durchgehende Hohlwelle



	A			B	
	SFK - SRK				
	30 (LD-LS)	40 (LD-LS)	50 (LD-LS)	63 (LD-LS)	75 (LD-LS)
1	Corona in bronzo / <i>Bronze wheel</i> / Bronzerad				
2	Albero cavo limitatore / <i>Hollow shaft torque limiter</i> / Rutschkupplungs-Hohlwelle				
3	Anello di frizione / <i>Friction ring</i> / Reibring				
4	Distanziale molle / <i>Washers' distance ring</i> / Federdistanzring				
5	Linguetta / <i>Key</i> / Passfeder				
	8x7x10AB	10x8x13AB	12x8x18AB	12x8x40A	16x10x40A
6	Molle a tazza / <i>Belleville washers</i> / Tellerfeder				
7	Ghiera / <i>Metal ring</i> / Metall Ring				
	Cuscinetti / <i>Bearings</i> / Lager				
8	6005 25x47x12	6006 30x55x13	6008 40x68x15	6008 40x68x15	6010 50x80x16
9	Anelli di tenuta / <i>Oilseals</i> / Öldichtungen				
	25x40x7	30x47x7	40x62x8	40x62x8	50x72x8
10	Anelli di tenuta / <i>Oilseals</i> / Öldichtungen				
	30x40x5	35x47x7	48x62x8	48x62x8	58x72x8
	O-rings in gomma / <i>Rubber O-rings</i> / Gummi-O-ringe				
11	OR2087 21.95x1.78	OR2106 26.7x1.78	OR 36.27x1.78	OR 36.27x1.78	OR2187 47.37x1.78
12				Distanziale / <i>Spacer</i> / Abstandshülse	
13				Distanziale / <i>Spacer</i> / Abstandshülse	-