



A practical implementation to support the Digital Single Market

mEDRA tools in ARDITO

Control your content in the digital marketplace
ARDITO outreach conference @Più libri più liberi
8th December 2017



This project has received funding from the European Union's Horizon
2020 research and innovation programme under grant agreement No 731760

ARDITO tools for textual publishing

ARDITO is developing new applications to:

- use watermarks to access rights and licensing directly and to identify re-use options for e-books → **lcontact**
- assign DOI-based identifiers (called ARDI) to Digital Rightsholder Statements to declare rights on content (ex author-publishers) → **mEDRA**



- DOI = multi-purpose, multi-content, persistent web resolvable ID
 - Approx. 150 million DOIs assigned across media and content types
 - DOI resolution can be Single, Multiple and Context-aware
 - DOI + ISBN = ISBN-A
 - ISO standard
- How it works: when used in the Internet, the DOI works like a link redirecting the user to a resource. Examples:
 - 10.3233/JAD-2010-101674 → <https://doi.org/10.3233/JAD-2010-101674>
 - 10.978.8899630/096 → <https://doi.org/10.978.8899630/096>

DOI and ARDITO

- Our work in ARDITO exploits DOI features to connect content and rights
 - **Extensible metadata framework**
 - We use the DOI to identify rights declarations (ARDI)
 - We can connect rights data to content
 - Scalable to any type of content assets
 - **Resolvable identifier**
 - Enhanced discoverability of rights declarations and rights information
 - Access rights declarations and rights information from the content ID (Rights-aware resolution)
 - **Standard and interoperable identifier**
 - We can easily connect with the Copyright Hub as extra access point to tools and services
 - We can connect to other ARDITO tools and services

ARDITO tools

- ARDI service: tool to enable registration of Digital Rightsholder Statements (DRS) and issuing of ARDI identifiers
- Rights-aware DOI suite:
 - interfaces to create rights-aware DOIs
 - automatic service to create and use ISBNs as DOI-based web resolvable IDs (ISBN-As)
 - customisable interfaces for rights-aware resolution to be used at the point of discovery of the content on the web or in machine to machine manner

The ARDI service

- Deposit a DRS
- Assign an ARDI identifier (DOI-based)
- Service interactions:
 - Register ARDI resolution (Handle System)
 - Persist DRS and ARDI metadata (mEDRA ARDI System)
 - Onboard in the Copyright Hub (Hub Repository System)
- Activate rights-aware resolution on the content DOI
- Access the DRS
 - Through ARDI resolution
 - Through rights-aware resolution of the content DOI
 - Through Copyright Hub plug in
 - Through watermarking decoding (see BooXtream presentation)

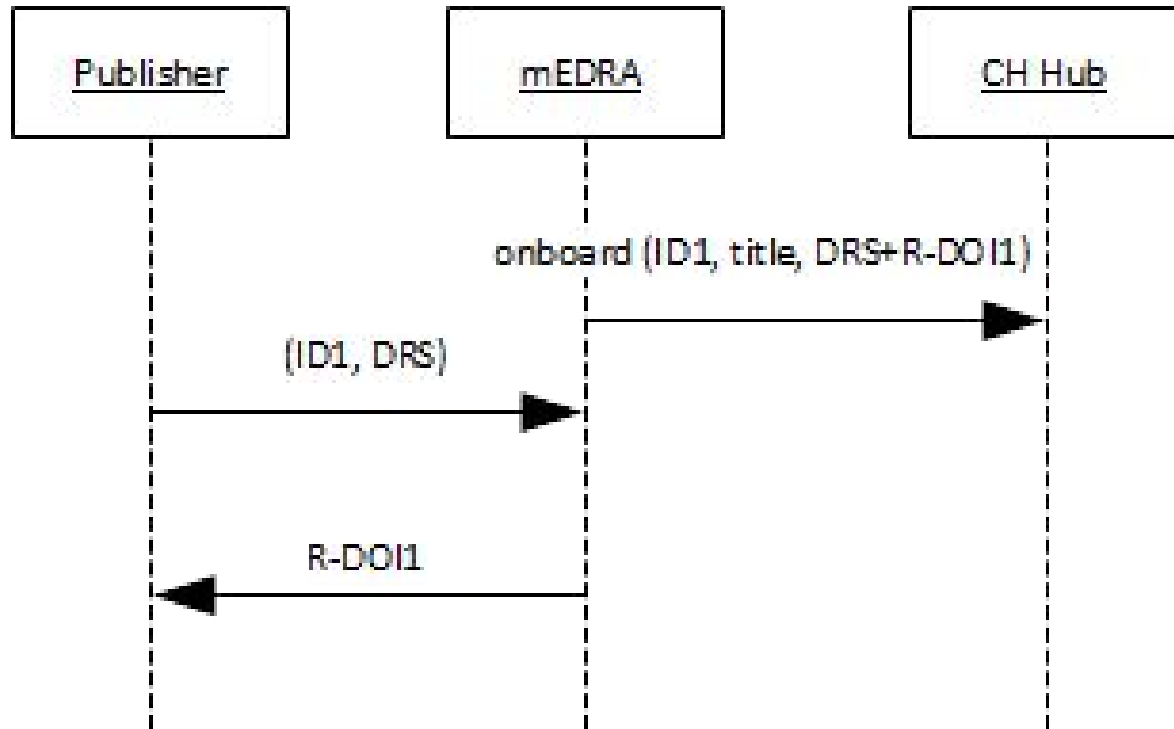
Deposit a DRS

```

<DigitalRightsHolderStatement xmlns="http://www.rightscom.com/2011/drs#" xmlns:drs="http://www.rightscom.com/2011/drs#" xmlns:xsi="http://www.w3.org/2001/XMLSchema-instance" xsi:schemaLocation="http://www.rightscom.com/2011/drs#
https://ardi-dev.medra.org/schema/drs/1.0/medra-drs.xsd">
  <DrsProfileType>lcc:DrsProfile_ARDI</DrsProfileType>
  <Right>
    <RightStatus>lcc:EffectiveRight</RightStatus>
    <RightsHolder>
      <Identifier IdentifierType="lcc:ORCID">
        <IdentifierValue>orcid.org/0000-0001-6157-8808</IdentifierValue>
      </Identifier>
      <Name>
        <NameValue>Anna Lionetti</NameValue>
        <NamePart NamePartType="lcc:KeyName">Lionetti</NamePart>
        <NamePart NamePartType="lcc:NamesBeforeKeyName">Anna</NamePart>
      </Name>
    </RightsHolder>
    <RightsHolder>
      <Identifier IdentifierType="lcc:ORCID">
        <IdentifierValue>orcid.org/0000-0001-7410-6682</IdentifierValue>
      </Identifier>
      <Name>
        <NameValue>Pierfrancesco Attanasio</NameValue>
        <NamePart NamePartType="lcc:KeyName">Attanasio</NamePart>
        <NamePart NamePartType="lcc:NamesBeforeKeyName">Pierfrancesco</NamePart>
      </Name>
    </RightsHolder>
    <ControlledCreation>
      <Identifier IdentifierType="lcc:ISBN">
        <IdentifierValue>9788899630096</IdentifierValue>
      </Identifier>
      <Identifier IdentifierType="lcc:DOI">
        <IdentifierValue>10.978.8899630/096</IdentifierValue>
      </Identifier>
      <Identifier IdentifierType="lcc:ISBNA">
        <IdentifierValue>10.978.8899630/096</IdentifierValue>
      </Identifier>
      <Name>Il mercato delle riviste scientifiche italiane: una ricerca</Name>
      <CreationType>lcc:LexicalWork</CreationType>
    </ControlledCreation>
    <UseType>lcc:All</UseType>
    <ControlType>lcc:All</ControlType>
    <RightsNotice>
      <Name>Anna Lionetti</Name>
      <Name>Pierfrancesco Attanasio</Name>
      <Year>2016</Year>
      <Extension Language="eng">This article is published online with Open Access and distributed under the terms of the Creative Commons Attribution Non-Commercial License (CC BY-NC 4.0).</Extension>
      <Extension Language="ita">Il testo di questo articolo è rilasciato dagli autori in licenza Creative Commons Attribution - Non commerciale (CC-BY-NC 4.0).</Extension>
    </RightsNotice>
    <FurtherRightsInformation>
      <RightsAssignmentType>lcc:CC_License_BY_NC</RightsAssignmentType>
      <RelatedRightAssignment IdentifierType="lcc:URI">
        <IdentifierValue>https://creativecommons.org/licenses/by-nc/4.0/</IdentifierValue>
      </RelatedRightAssignment>
      <FurtherRightsInformationType>lcc:ApplicableLicense</FurtherRightsInformationType>
    </FurtherRightsInformation>
    <Territory>lcc:World</Territory>
    <StartTime>2016-01-01</StartTime>
    <PercentageShare>100</PercentageShare>
    <IsExclusive>lcc:True</IsExclusive>
  </Right>
  <Asserter>
    <Identifier IdentifierType="lcc:ISNI">
      <IdentifierValue>1234-5678-9876-4444</IdentifierValue>
    </Identifier>
    <Name>Italian Publisher Association</Name>
  </Asserter>
  <AssertionDateTime>2017-09-10T13:44:01</AssertionDateTime>
</DigitalRightsHolderStatement>

```

Integration with the Copyright Hub



Access the DRS: resolve the ARDI

<https://doi.org/10.29414/ardi:1510841716516>



Home

DRS – DIGITAL RIGHTSHOLDER STATEMENT [10.29414/ardi:1510841716516](https://doi.org/10.29414/ardi:1510841716516)

CREATION DETAILS

Name	Il mercato delle riviste scientifiche italiane: una ricerca
Type	lcc:LexicalWork
Creations	lcc:ISBN: 9788899630096
Identifiers	lcc:DOI: 10.978.8899630/096 lcc:SBNA: 10.978.8899630/096

RIGHTS NOTICE

	Years	Names
©	2016	Anna Lionetti, Pierfrancesco Attanasio

Extensions (Value)

This article is published online with Open Access and distributed under the terms of the Creative Commons Attribution Non-Commercial License (CC BY-NC 4.0).

Il testo di questo articolo è rilasciato dagli autori in licenza Creative Commons Attribuzione - Non commerciale (CC-BY-NC 4.0)

Further rights information

<https://creativecommons.org/licenses/by-nc/4.0/>

DRS issued on 2017-09-10T13:44:01 by Italian Publisher Association

Related DRS



Related DRS

DRS – DIGITAL RIGHTSHOLDER STATEMENT

10.29414/ardi:1510841964402

CREATION DETAILS

Name Il mercato delle riviste scientifiche italiane: una ricerca
Type lcc:LexicalWork
Creations lcc:ISBN: 9788899630096
Identifiers

RIGHTS NOTICE

	Years	Names
©	2016	Pierfrancesco Attanasio

Extensions (Value)

Tutti i diritti riservati

Il testo è rilasciato dagli autori in licenza Creative Commons Attribuzione - Non commerciale (CC-BY-NC 4.0)

Further rights information

DRS issued on 2017-11-01T17:26:01 by Pierfrancesco Attanasio

DRS – DIGITAL RIGHTSHOLDER STATEMENT

10.29414/ardi:1511347025260

CREATION DETAILS

Name Tra editoria e università. I risultati del gruppo di lavoro Università di Verona, CINECA e Aie
Type lcc:LexicalWork
Creations lcc:ISBN: 9788899630010
Identifiers lcc:ISBN: 10.978.8899630/003
 lcc:ISBN: 10.978.8899630/041
 lcc:ISBN: 10.978.8899630/096
 lcc:ISBN: 10.978.8899630/065
 lcc:ISBN: 10.978.8899630/058

RIGHTS NOTICE

	Years	Names
©	2016	Anna Lionetti, Pierfrancesco Attanasio, Gabriella Scipione, Maria Gabaldo, Beatrice Cunegatti

Extensions (Value)

This volume and the articles contained in it are published online with Open Access and distributed under the terms of the Creative Commons Attribution Non-Commercial License (CC BY-NC 4.0).

Il testo degli articoli contenuti in questo volume è rilasciato dagli autori in licenza Creative Commons Attribuzione - Non commerciale (CC-BY-NC 4.0)

Further rights information

<https://creativecommons.org/licenses/by-nc/4.0/>

DRS issued on 2016-09-10T13:44:01 by Università di Verona

Activate rights-aware resolution

Content DOI (ISBN-A): 10.978.8899630/096

Contextual Multiple Resolution

LOGOUT

Handle*:

Load 10.978.8899630/096

URL*:

<http://www.giornaledellalibreria.it/presentazione--tra-editoria-e-universita-i-risultati-del-gruppo-di-lavoro-universita-di-verona-cineca-e-aie-2585.html>

Location # 0

href*:

type*:

ctype:

weight:

Access the DRS: resolve the content DOI

<https://doi.org/10.978.8899630/096?locatt=type:rights>



Home

DRS – DIGITAL RIGHTSHOLDER STATEMENT [10.29414/ardi:1510841716516](https://doi.org/10.29414/ardi:1510841716516)

CREATION DETAILS

Name	Il mercato delle riviste scientifiche italiane: una ricerca
Type	lcc:LexicalWork
Creations	lcc:ISBN: 9788899630096
Identifiers	lcc:DOI: 10.978.8899630/096 lcc:SBNA: 10.978.8899630/096

RIGHTS NOTICE

	Years	Names
©	2016	Anna Lionetti, Pierfrancesco Attanasio

Extensions (Value)

This article is published online with Open Access and distributed under the terms of the Creative Commons Attribution Non-Commercial License (CC BY-NC 4.0).

Il testo di questo articolo è rilasciato dagli autori in licenza Creative Commons Attribuzione - Non commerciale (CC-BY-NC 4.0)

Further rights information

<https://creativecommons.org/licenses/by-nc/4.0/>

DRS issued on 2017-09-10T13:44:01 by Italian Publisher Association

Related DRS



From tools to services

- The ARDITO tools will be **integrated into mEDRA** DOI Registration Agency platform and used to:
 - create a new service for customers to **register rights-aware DOIs**, or add rights-awareness to existing DOIs
 - expose and make available for reuse information about rights and licenses in a range of different methods and formats
- The ARDITO tools will be **integrated into Italian ISBN agency** platform and used to:
 - create a **new service for author-publishers** to declare their rights when they request an ISBN
 - have the above **declaration linked to the content anywhere** in the web, through the same ISBN empowered by the DOI features (ISBN-A plus)



THANK YOU!

anna.lionetti@medra.org

ardito@medra.org

@ARDITOPROJECT

m EDRA
Multilingual European DOI Registration Agency



This project has received funding from the European Union's Horizon 2020 research and innovation programme under grant agreement No 731760