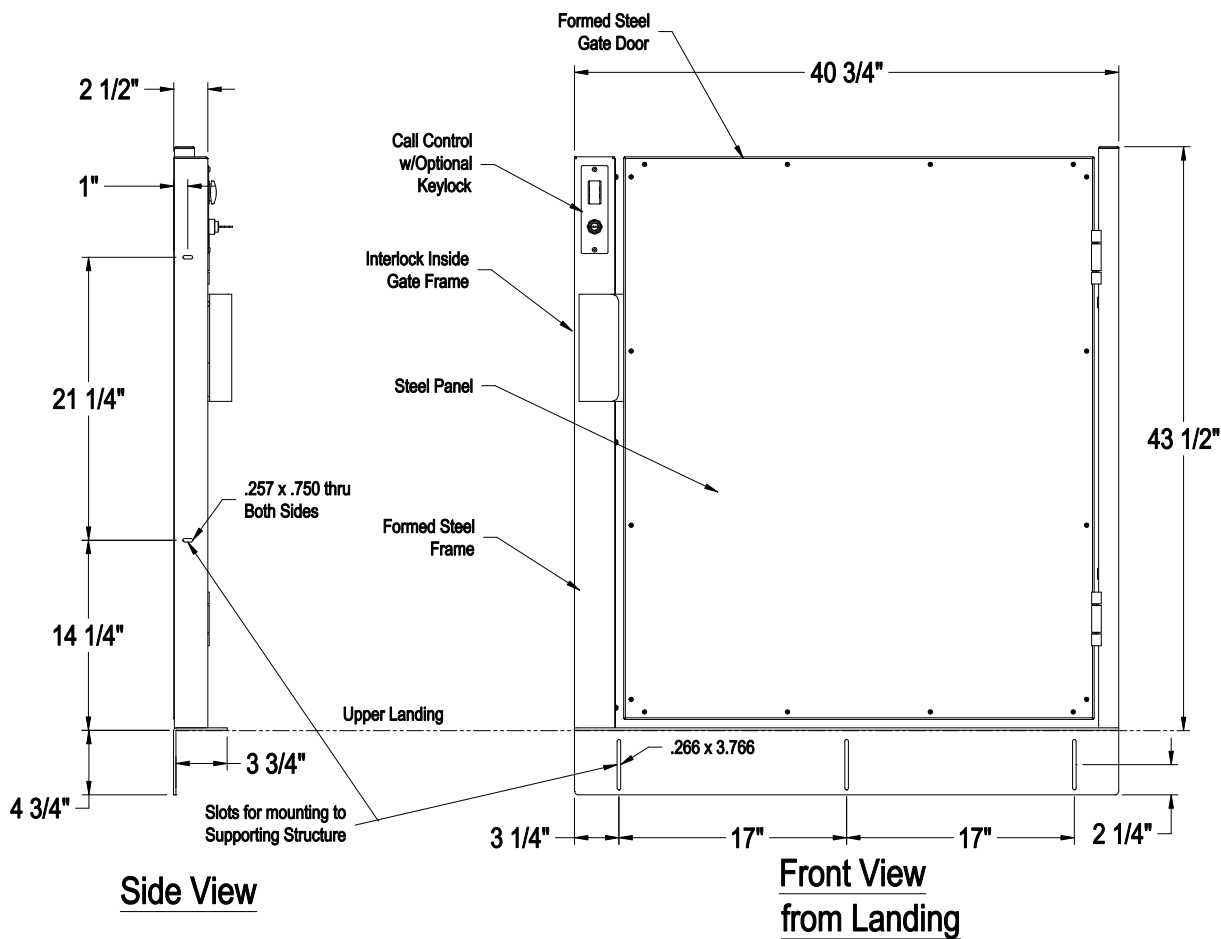
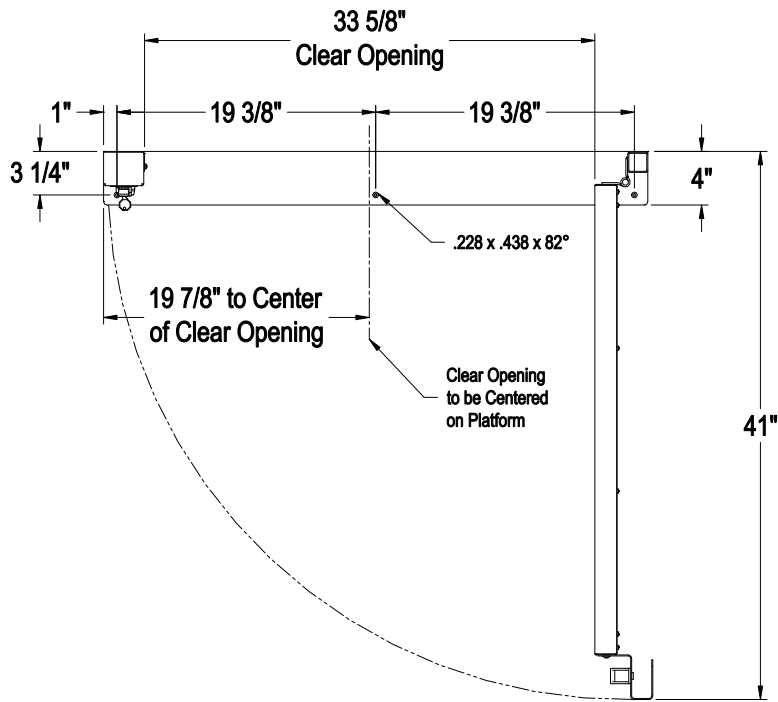


Platform Side



Side View

**Front View
from Landing**

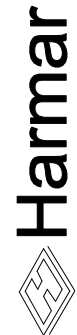
Left Hand 36" Top Landing Gate Details

DATE

BY

REVISION DESCRIPTION

REV.



18505 E. 163rd Street Lake Winnebago, MO 64034
PHONE: (816) 537-0661 FAX: (816) 537-0641

This drawing is furnished only for informational purposes on a confidential basis, and neither the drawing or items thereon are to be reproduced or used in any manner.

DEALER:

PRODUCT: Vertical Platform Lift

DRAWN: TB SCALE: NTS DATE: 08/31/09

CUSTOMER:

SHEET: 36TLGL

SIZE: A

REV: